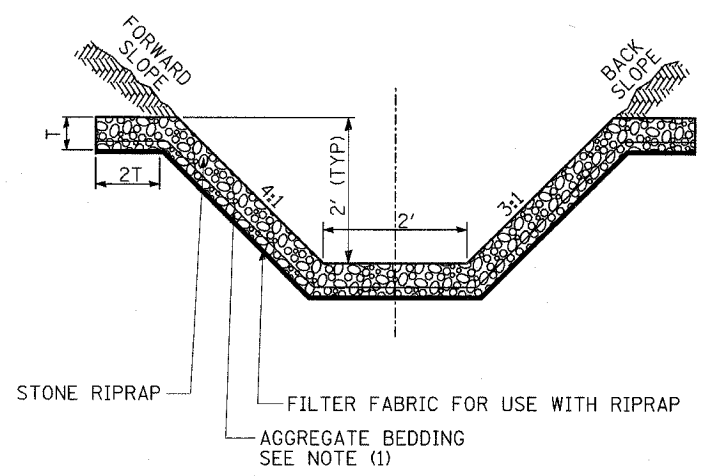


F.A.P. RTE.	SECTION	COUNTY	TOTAL SHEETS	SHEET NO.
335	119R-2	LAKE	439	157
STA. 432+83.12		TO STA. 470+56.84		
FED. ROAD DIST. NO.	ILLINOIS	FED. AID PROJECT		

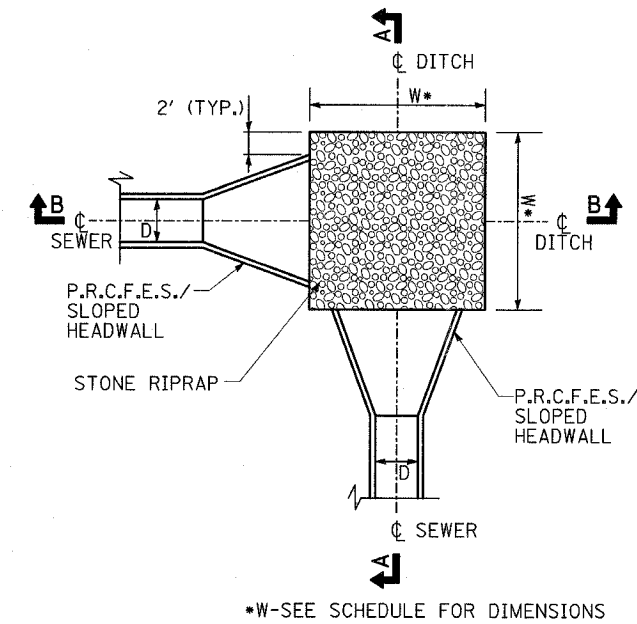
60B01



TYPICAL DITCH CROSS SECTION WITH RIPRAP

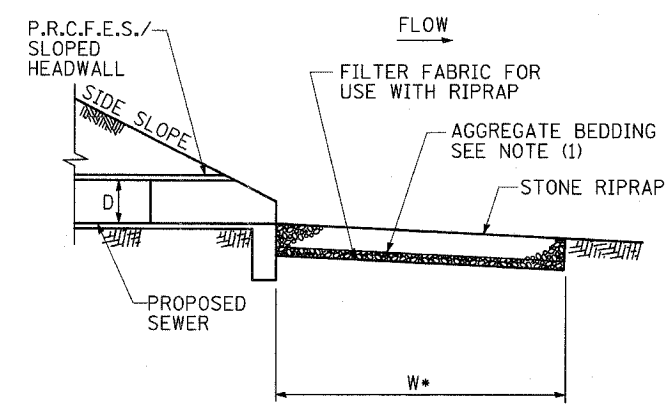
NOTES:

1. THE COST OF AGGREGATE BEDDING SHALL BE INCLUDED IN THE COST OF RIPRAP PER SQUARE YARD.



PLAN

PIPE DIAM. (IN)	*RIPRAP DIMENSION (FT)	STONE RIPRAP CLASS	AREA (SY)
12"	7 X 7	4	5.5
15"	7 X 7	4	5.5
36"	11 X 11	4	13.5
48"	7 X 50	4	39.0

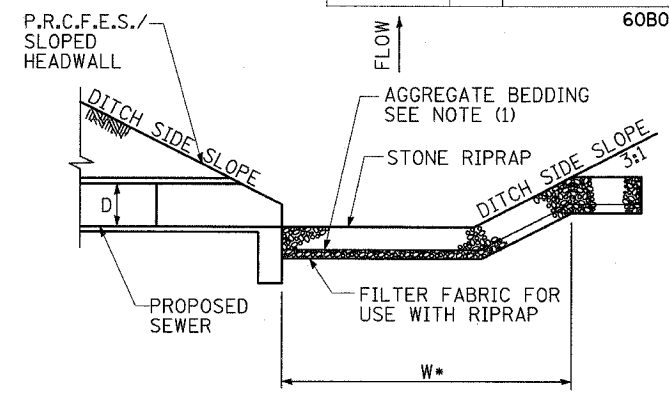


**SECTION A-A
OUTLET IN LINE WITH FLOW**

RIPRAP DETAILS

NOTES:

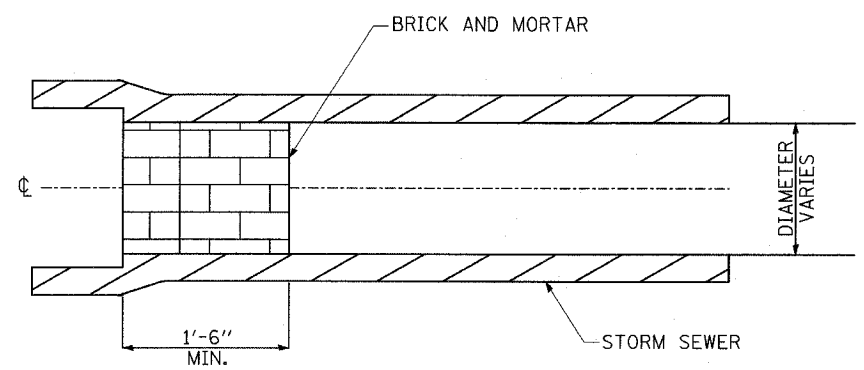
1. THE COST OF AGGREGATE BEDDING SHALL BE INCLUDED IN THE COST OF RIPRAP PER SQUARE YARD.



**SECTION B-B
OUTLET PERPENDICULAR TO FLOW**

LEGEND:

P.R.C.F.E.S.=PRECAST REINFORCED CONCRETE FLARED END SECTION
D=SEWER DIAMETER

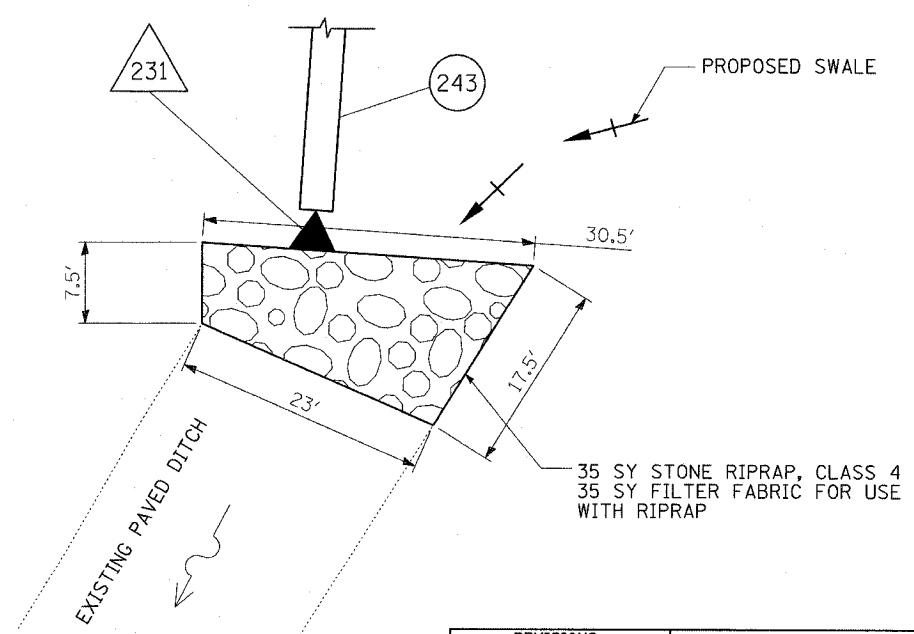


STORM SEWER PLUG

NOTES:

1. THIS WORK CONSISTS OF FURNISHING BRICKS AND MORTAR AS SHOWN AND AS DIRECTED BY THE ENGINEER AT LOCATIONS SHOWN IN THE PLANS TO PLUG THE EXISTING AND/OR PROPOSED STORM SEWER LATERAL STUBS.
2. THIS WORK SHALL NOT BE PAID FOR SEPARATELY, BUT INCLUDED IN COST OF SEWER REMOVAL/INSTALLATION AS PER ARTICLE 550.05 OF THE STANDARD SPECIFICATIONS.
3. ALL ABANDONED SEWER WITHIN IDOT AND ISTHA RIGHT-OF-WAY AND AS INDICATED ON PLANS SHALL BE FILLED WITH CONTROLLED LOW STRENGTH MATERIAL (CLSM) AS PER SPECIFICATIONS WITH BOTH ENDS PLUGGED. THE COST SHALL BE PAID FOR IN CU. YD. OF CLSM AND AS SHOWN IN SCHEDULE.

TYLIN INTERNATIONAL



RIPRAP DETAIL AT STRUCTURE 231

REVISIONS	
NAME	DATE

ILLINOIS DEPARTMENT OF TRANSPORTATION
ILLINOIS RTE 60 OVER I-94

DRAINAGE DETAILS

SCALE: NONE
DATE: MAY 8, 2007
DRAWN BY: NSB
CHECKED BY: DA

SHEET 3 OF 4

05/08/2007 07:41:47 AM