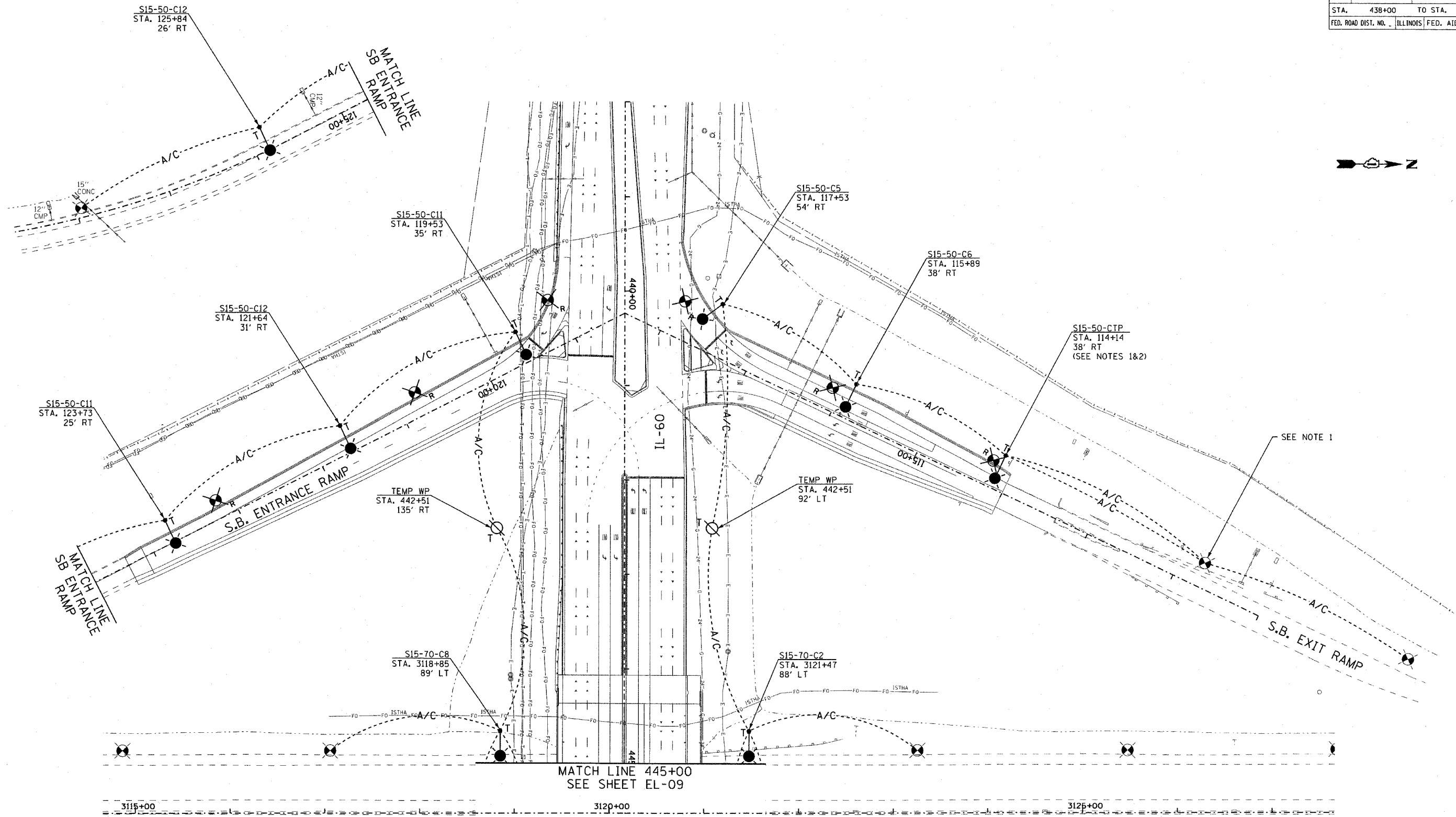
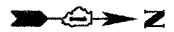


F.A.P. RTE.	SECTION	COUNTY	TOTAL SHEETS	SHEET NO.
335	119R-2	LAKE	439	242
STA. 438+00		TO STA.	445+00	
FED. ROAD DIST. NO. ILLINOIS		FED. AID PROJECT		

60B01



**NOTES:**

1. ATTACH AERIAL CABLE TO LIGHT POLE BUT DO NOT CONNECT AERIAL CABLE TO LIGHT POLE CIRCUITRY. ANY DAMAGE CAUSED BY CONNECTING THIS CIRCUIT WILL BE REPAIRED AT THE CONTRACTOR'S EXPENSE.
2. CONNECT POLE TO EXISTING TOLL PLAZA CIRCUITRY FROM THE NORTH.

**EJM ENGINEERING, INC.**  
411 South Wells Street Suite 800  
Chicago, Illinois 60607

REVISIONS	
NAME	DATE

ILLINOIS DEPARTMENT OF TRANSPORTATION  
ILLINOIS RTE 60 OVER I-94  
TEMPORARY ROADWAY LIGHTING PLAN  
I-94 SOUTHBOUND RAMP

S.N. \_\_\_\_\_ DESIGNED BY: JDM  
SCALE: 1"=50'-0" DRAWN BY: JDM  
DATE: MAY 8, 2007 CHECKED BY: RES