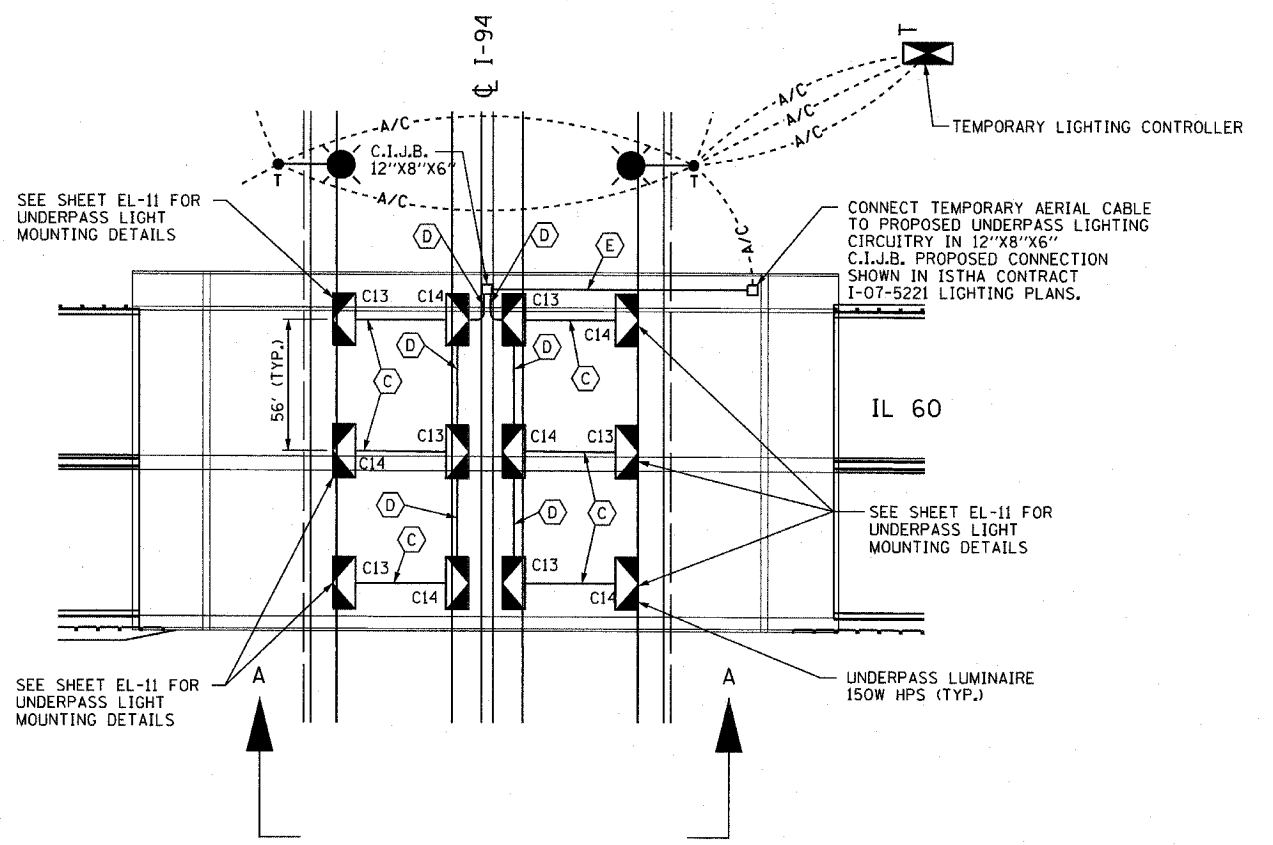
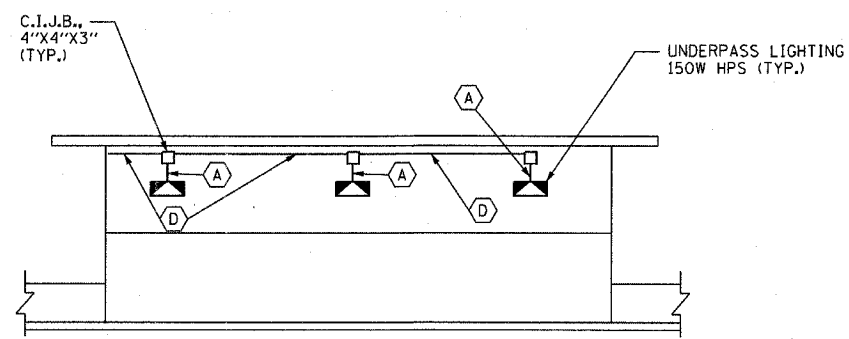


F.A.P. RTE.	SECTION	COUNTY	TOTAL SHEETS	SHEET NO.
335	119R-2	LAKE	439	244
STA. -----		TO STA. -----		
FED. ROAD DIST. NO. _____		ILLINOIS FED. AID PROJECT		

60B01



PLAN
NOT TO SCALE



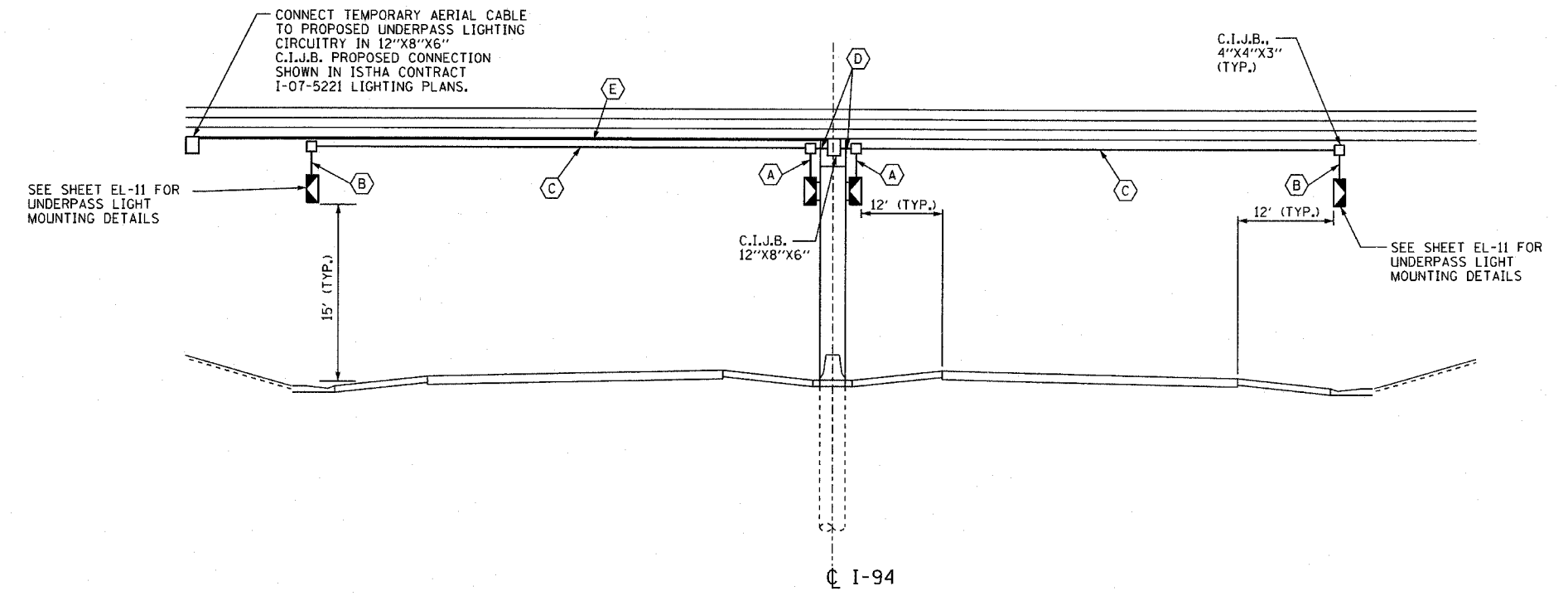
ELEVATION OF PIER
NOT TO SCALE

CABLE GROUPING LEGEND

- (A) 3/4" PVC COATED RGS CONDUIT, 2 #10 AND 1 #10 GROUND (ALL 600V TYPE XHHW) ATTACHED TO STRUCTURE
- (B) 3/4" LIQUIDTIGHT FLEXIBLE METALLIC CONDUIT, 2 #10 AND 1 #10 GROUND (ALL 600V TYPE XHHW)
- (C) 1" PVC COATED RGS CONDUIT, 2 #10 AND 1 #10 GROUND (ALL 600V TYPE XHHW) ATTACHED TO STRUCTURE
- (D) 1" PVC COATED RGS CONDUIT, 4 #10 AND 1 #10 GROUND (ALL 600V TYPE XHHW) ATTACHED TO STRUCTURE
- (E) 1 1/2" PVC COATED RGS CONDUIT, 4 #6 AND 1 #8 GROUND (ALL 600V TYPE XHHW) ATTACHED TO STRUCTURE

NOTES:

1. PVC COATED CONDUIT CLAMP AND CLAMP BACK ON 5'-0" CENTERS. (TYPICAL) ATTACH WITH EXPANSION ANCHORS (MIN. 2" LONG) EXPANSION ANCHORS SHALL BE HOT DIPPED GALVANIZED AS MADE BY PARABOLT KWIK-BOLT, WEJ-IT OR APPROVED EQUAL.
2. EXPANSION FITTINGS AT WALL JOINTS SHALL BE O.Z. GEDNEY TYPE DX EXPANSION-DEFLECTION FITTINGS OR APPROVED EQUAL ALLOWING A MOVEMENT OF 3/4" IN ALL DIRECTIONS AND A DEFLECTION OF 30° FROM NORMAL IN ALL DIRECTIONS.
3. LUMINAIRES SHALL BE SURFACE MOUNTED TO WALL WITH UNISTRUT P5500 STAINLESS STEEL CHANNELS (12 GAUGE) OR APPROVED EQUAL TO PROVIDE A MINIMUM CLEARANCE OF 2" BETWEEN THE BACK OF LUMINAIRE AND THE FACE OF THE WALL.
4. ALIGN CENTERLINE OF 56' LUMINAIRE SPACING AT CENTERLINE OF ILLINOIS 60 OVERPASS.



SECTION A-A
LOOKING NORTH
NOT TO SCALE

EJM EJM ENGINEERING, INC.
411 South Wells Street Suite 800
Chicago, Illinois 60607

REVISIONS	
NAME	DATE

ILLINOIS DEPARTMENT OF TRANSPORTATION
ILLINOIS RTE 60 OVER I-94
UNDERPASS LIGHTING PLAN

S.N. _____ DESIGNED BY: JDM
SCALE: NONE DRAWN BY: JDM
DATE: MAY 8, 2007 CHECKED BY: RES

SHEET EL-10 OF 13