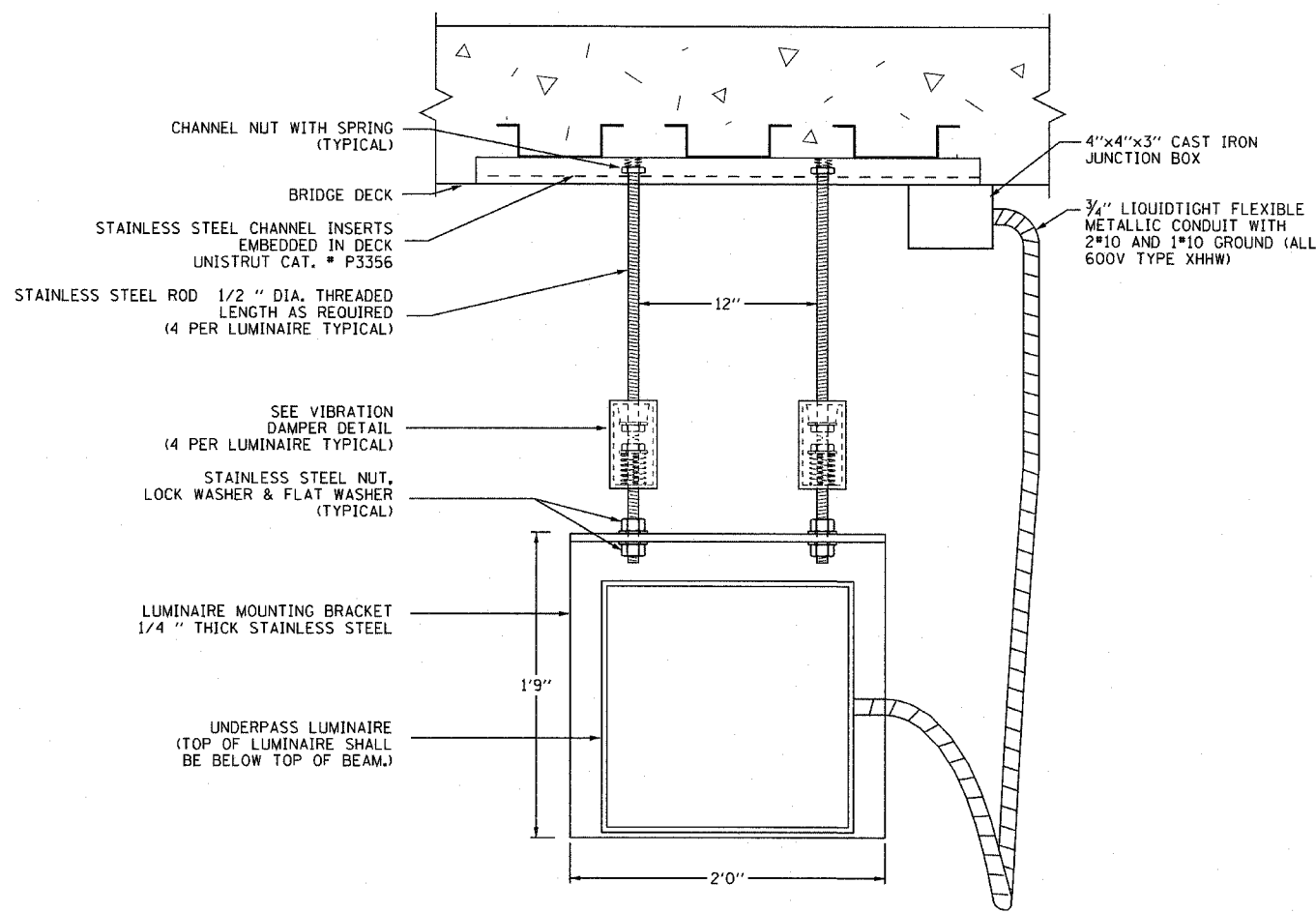
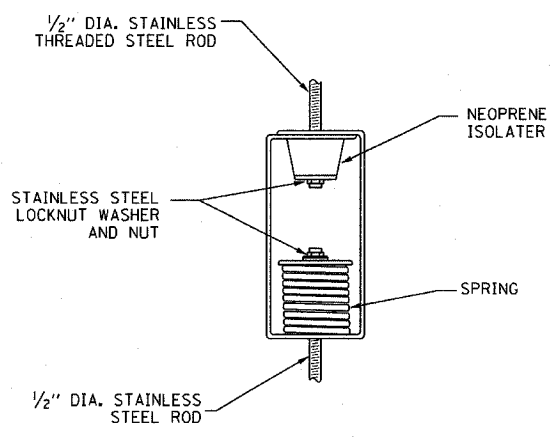


F.A.P. RTE.	SECTION	COUNTY	TOTAL SHEETS	SHEET NO.
335	119R-2	LAKE	439	245
STA. -----		TO STA. -----		
FED. ROAD DIST. NO. -----		ILLINOIS	FED. AID PROJECT	

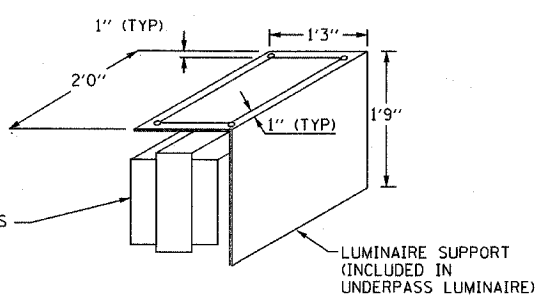
60B01



SECTION A-A
NOT TO SCALE

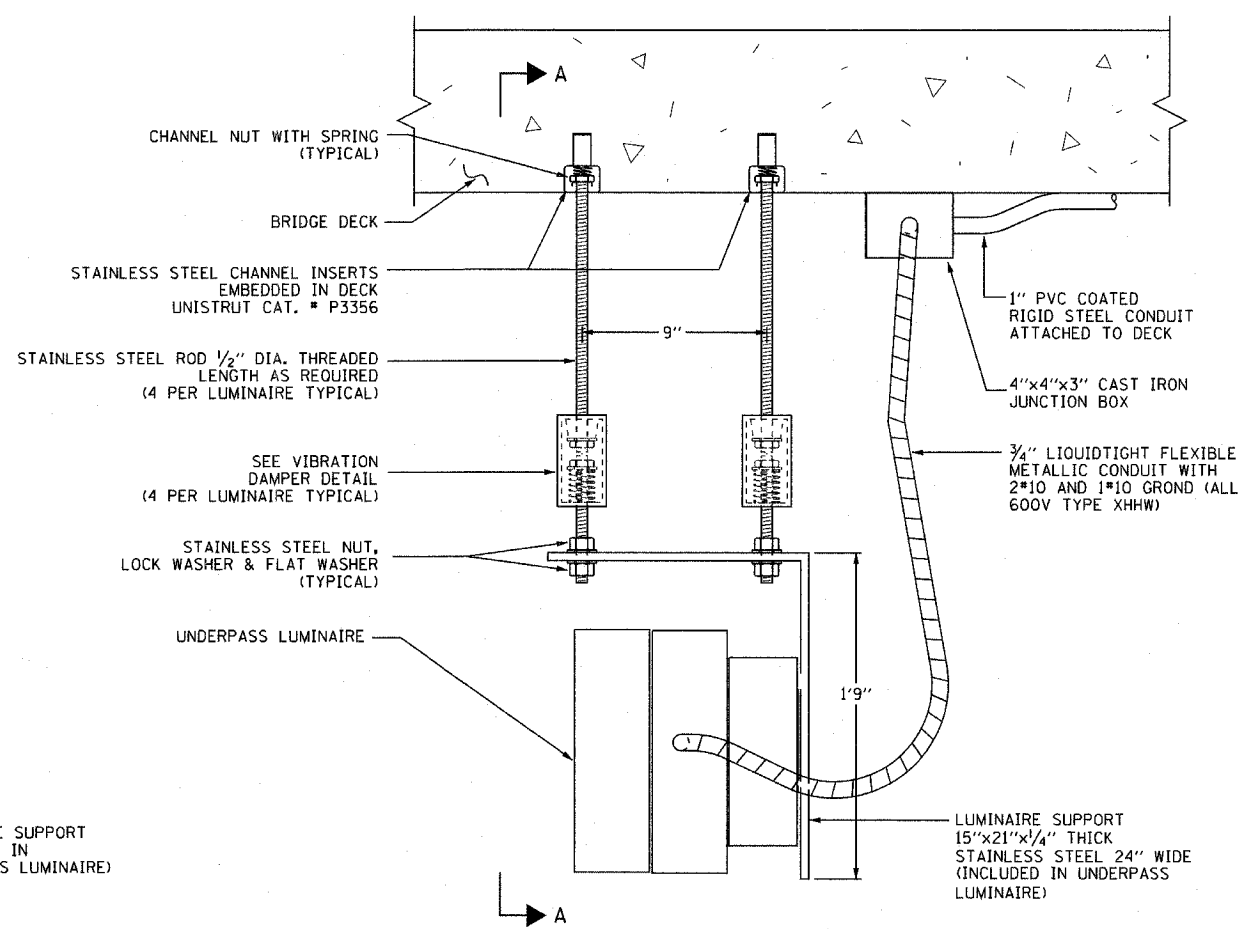


VIBRATION DAMPER DETAIL
NOT TO SCALE



LUMINAIRE SUPPORT DETAIL
NOT TO SCALE

- NOTES:
- COORDINATE THE CHANNEL INSERT LOCATION WITH THE BRIDGE PLANS.
 - ALL OF THE LUMINAIRE SUPPORTING HARDWARE SHALL BE STAINLESS STEEL.
 - ALL OF THE UNDERPASS MOUNTING AND SUPPORTING HARDWARE, MATERIALS AND LABOR, INCLUDING STAINLESS STEEL RODS, MOUNTING BRACKETS, VIBRATION DAMPERS, CONCRETE INSERTS, NUTS, WASHERS, ETC. SHALL BE INCLUDED IN THE UNDERPASS LUMINAIRE ITEM.



UNDERPASS LIGHT MOUNTED TO UNDERDECK DETAIL
NOT TO SCALE

SHEET EL-11 OF 13

REVISIONS		NAME	DATE
NO.	DESCRIPTION		

ILLINOIS DEPARTMENT OF TRANSPORTATION
ILLINOIS RTE 60 OVER I-94
UNDERPASS LIGHTING DETAILS

S.N. _____ DESIGNED BY: JDM
SCALE: NONE DRAWN BY: JDM
DATE: MAY 8, 2007 CHECKED BY: RES

EJM ENGINEERING, INC.
411 South Wells Street Suite 800
Chicago, Illinois 60607