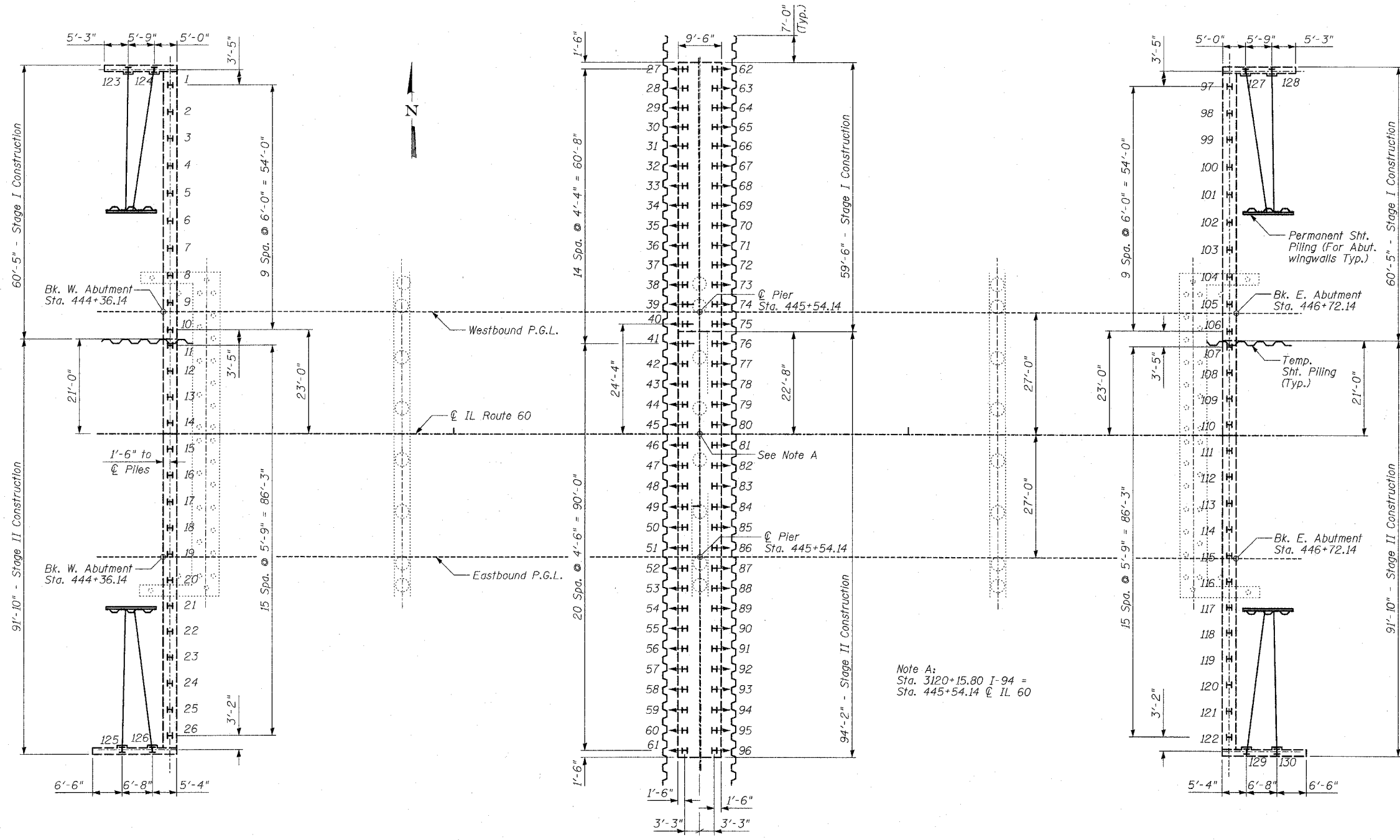


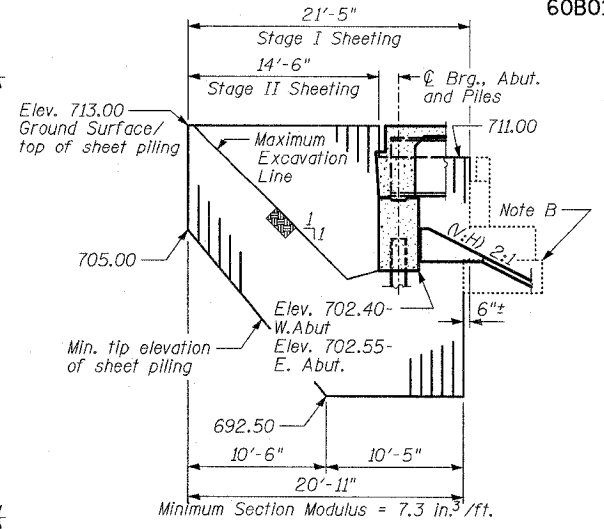
F.A.P. RTE.	SECTION	COUNTY	TOTAL SHEETS	SHEET NO.
335	119R-2	LAKE	439	250
STA. 432+83.12		TO STA. 470+56.84		
FED. ROAD DIST. NO.	ILLINOIS	FED. AID PROJECT		

60B01



SUBSTRUCTURE LAYOUT

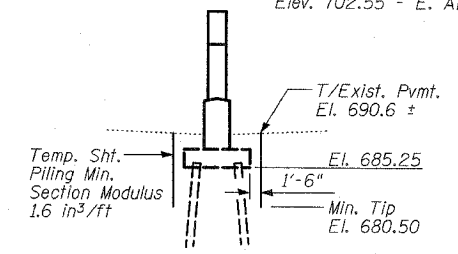
Note A:
Sta. 3120+15.80 I-94 =
Sta. 445+54.14 @ IL 60



TEMPORARY SHEET PILING-ABUT.

(West Abutment shown; East Abutment opposite hand)

Note B:
Elev. 702.40 - W. Abut.
Elev. 702.55 - E. Abut.



TEMPORARY SHEET PILING-PIER

SHEET PILING NOTES:

1. Hard driving may be encountered during the sheet piling installation. The Contractor shall provide the appropriate driving equipment for the site conditions indicated on the boring logs.
2. If the Contractor chooses to alter the temporary cantilevered sheet piling design requirements shown on the plans, a design submittal including plan details and calculations will be required for review and acceptance by the Engineer.
3. At the Abutment Location, the Contractor shall connect the first sheet to the existing abutment wall to ensure stability of sheets driven to the top of the existing footing. This connection shall be reviewed and accepted by the Engineer and included in the cost for Temporary Sheet Piling.

SHEET S-3 OF S-53

LEGEND

- Existing Structure
- Proposed Structure
- H Proposed Battered Pile 2:12 (H:V)
- H Proposed Pile
- ~ Temp. Sheet Piling

REVISIONS	
NAME	DATE

ILLINOIS DEPARTMENT OF TRANSPORTATION
SUBSTRUCTURE LAYOUT
 ILLINOIS 60 OVER I-94
 F.A.P. RTE. 335 SECTION 119R-2
 LAKE COUNTY STA. 445+54.14
 S.N. 049-2012 ISTHA BRIDGE NO. 407
 DESIGNED BY: SP
 DRAWN BY: SNB
 CHECKED BY: PDF
 SCALE:
 DATE: MAY 8, 2007

TYLIN INTERNATIONAL

PA:60245811-60\Structure\Final\60B01.dwg 05/03/2007 04:29:59 PM