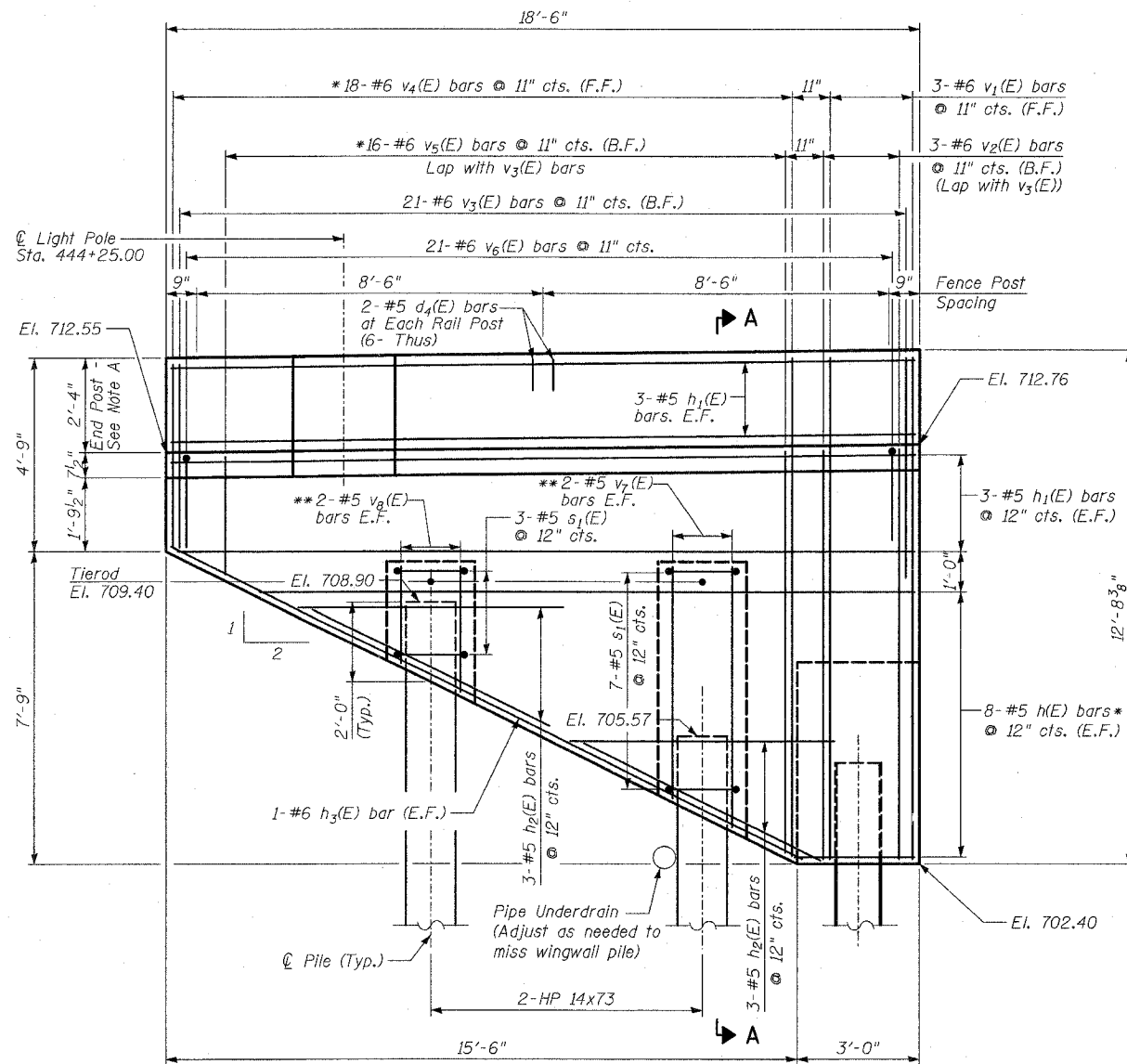


F.A.P. RTE.	SECTION	COUNTY	TOTAL SHEETS	SHEET NO.
335	119R-2	LAKE	439	275
STA. 432+83.12		TO STA. 470+56.84		
FED. ROAD DIST. NO.	ILLINOIS	FED. AID PROJECT		

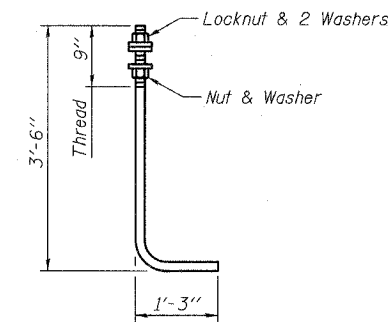
60B01



SOUTH WINGWALL ELEVATION
(Looking North)

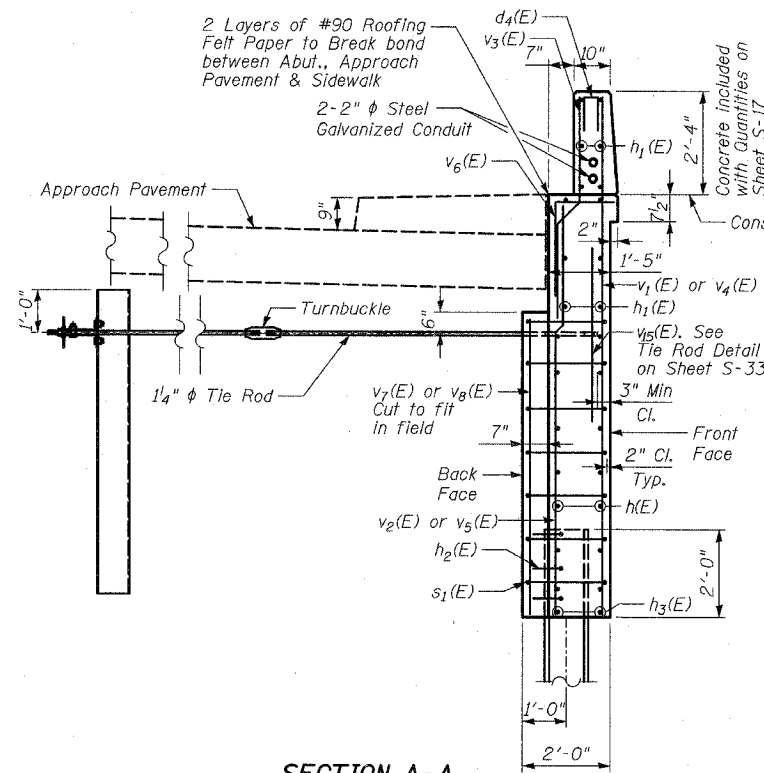
* See Field Cutting Diagram
** Cut to Fit

Note A:
End Post shall be poured after Bridge Parapet is in place. Form top surface to match Parapet grade.

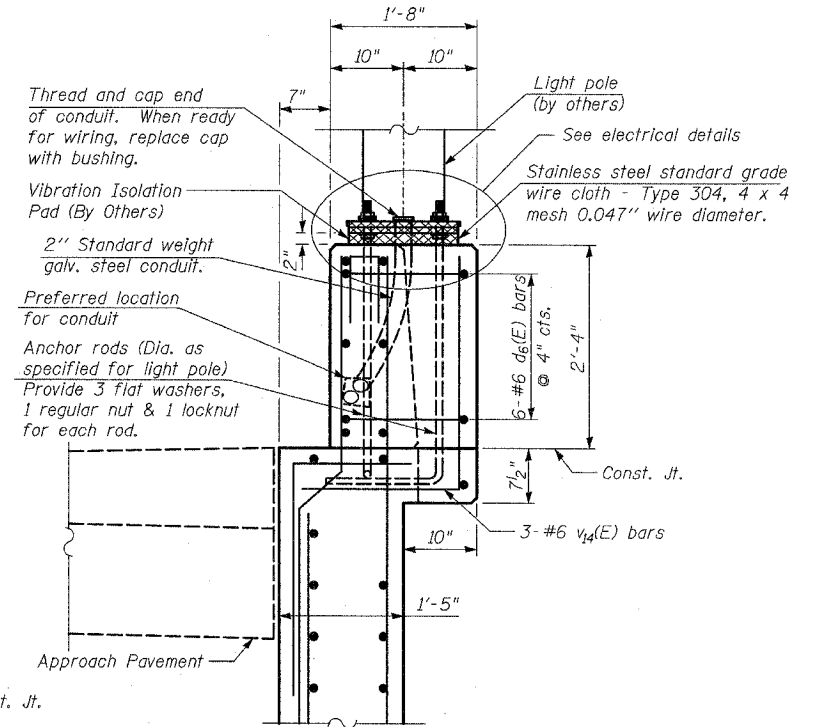


ANCHOR ROD

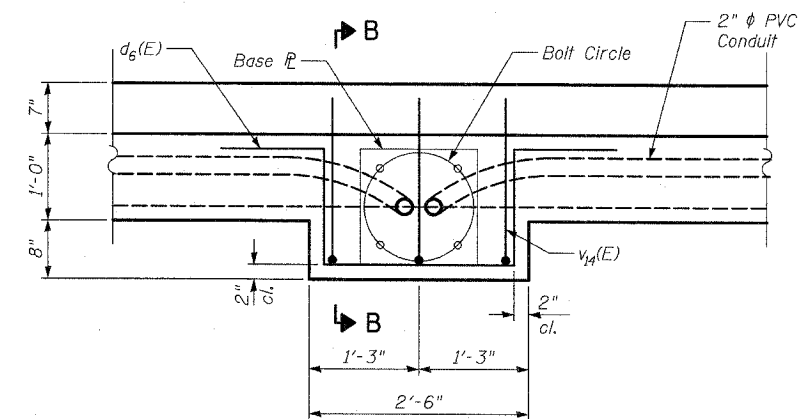
Diameter as specified for light poles.
(ASTM F 1554 Grade 105)



SECTION A-A



SECTION B-B



LIGHT POLE PLAN

TYLIN INTERNATIONAL

LEGEND

E.F. - Denotes Each Face.
B.F. - Denotes Back Face.
F.F. - Denotes Front Face.

NOTES

- Quantity of Concrete in End Post included with Concrete Superstructure on Sheet S-17.
- For Details on Bar Splicers, See Sheet S-38.
- For Details on Piles and Concrete Encasement, See Sheet S-39. Concrete Encasement shall be used on each Abutment and Wingwall Pile.

REVISIONS	
NAME	DATE

ILLINOIS DEPARTMENT OF TRANSPORTATION
WEST ABUTMENT DETAILS - I
 ILLINOIS 60 OVER I-94
 F.A.P. RTE. 335 SECTION 119R-2
 LAKE COUNTY STA. 445+54.14
 S.N. 049-2012 ISTHA BRIDGE NO. 407
 DESIGNED BY: TB
 DRAWN BY: TB
 CHECKED BY: SP
 SCALE:
 DATE: MAY 8, 2007

SHEET S-28 OF S-53

P:\60245811\601\Structur\Final\60B01Rw\60B01.dgn 05/03/2007 04:30:43 PM