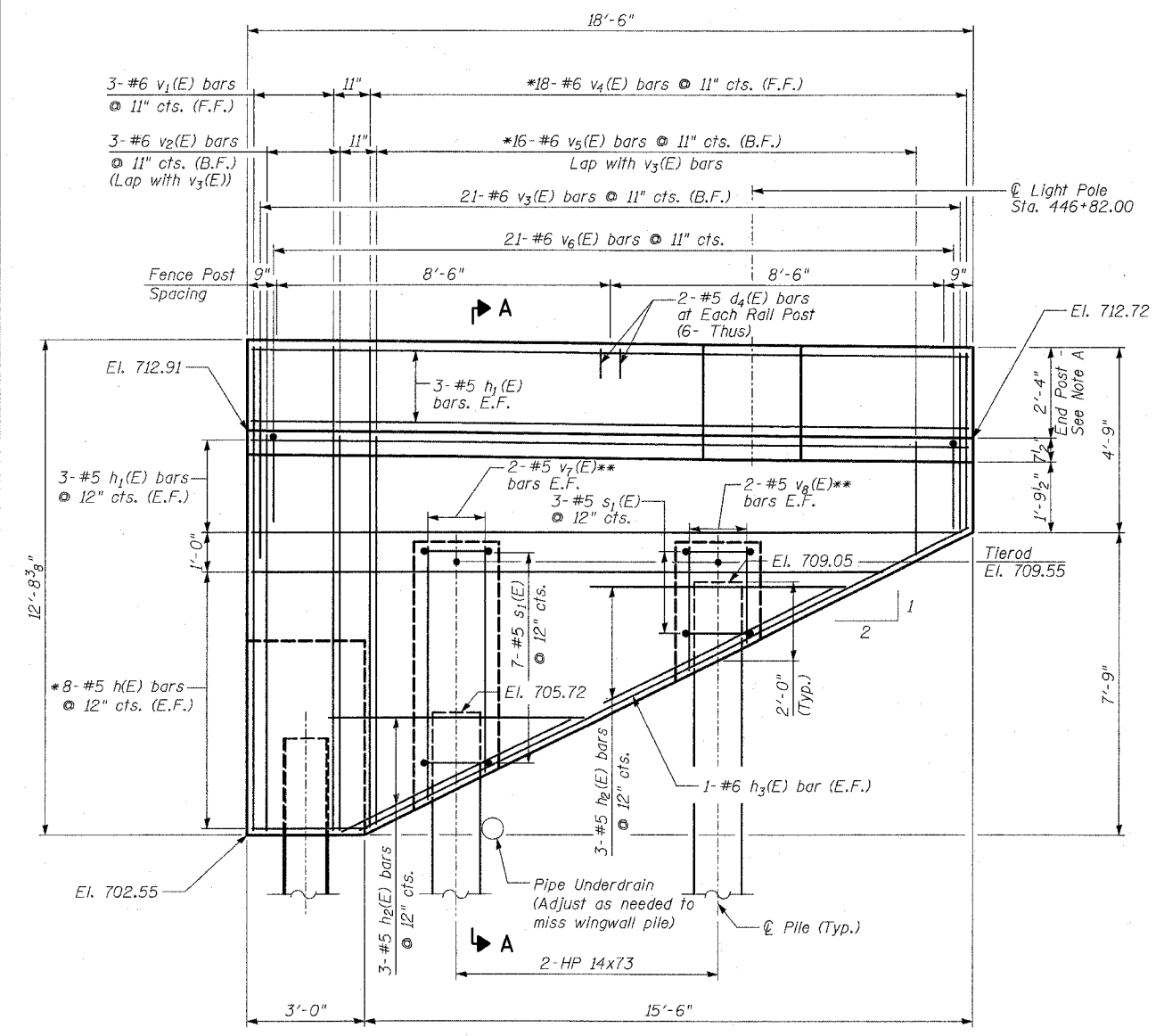


F.A.P. RTE.	SECTION	COUNTY	TOTAL SHEETS	SHEET NO.
335	119R-2	LAKE	439	278
STA. 432+83.12		TO STA. 470+56.84		
FED. ROAD DIST. NO.	ILLINOIS	FED. AID PROJECT		

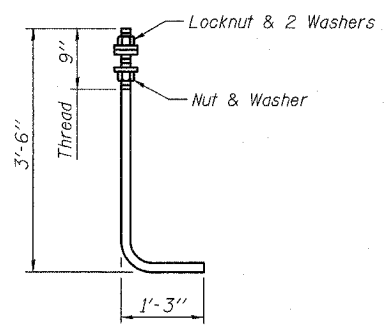
60B01



SOUTH WINGWALL ELEVATION
(Looking North)

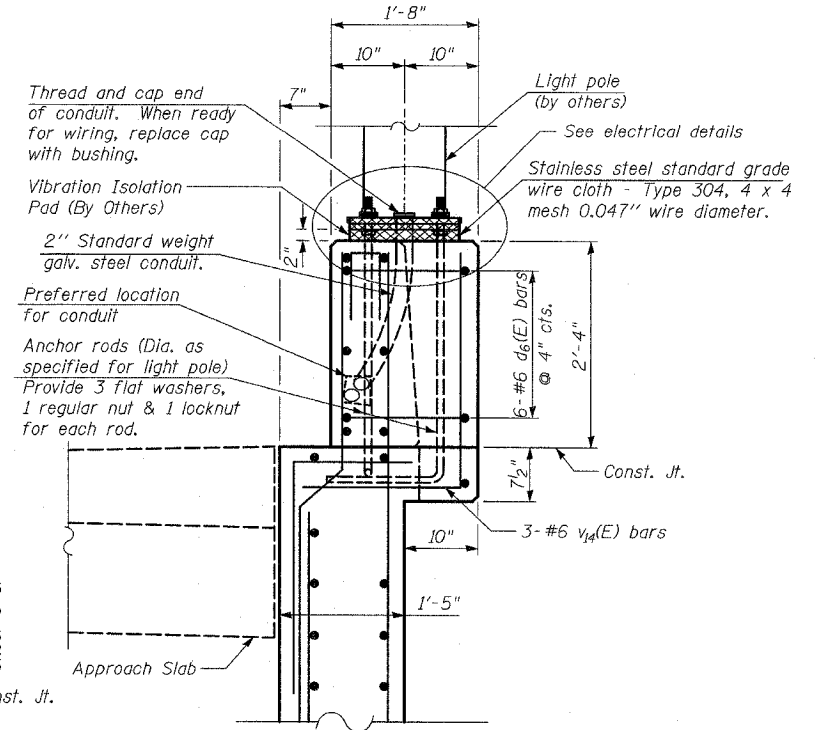
* See Field Cutting Diagram
** Cut to Fit

Note A:
End Post shall be poured after Bridge Parapet is in place. Form top surface to match Parapet grade.

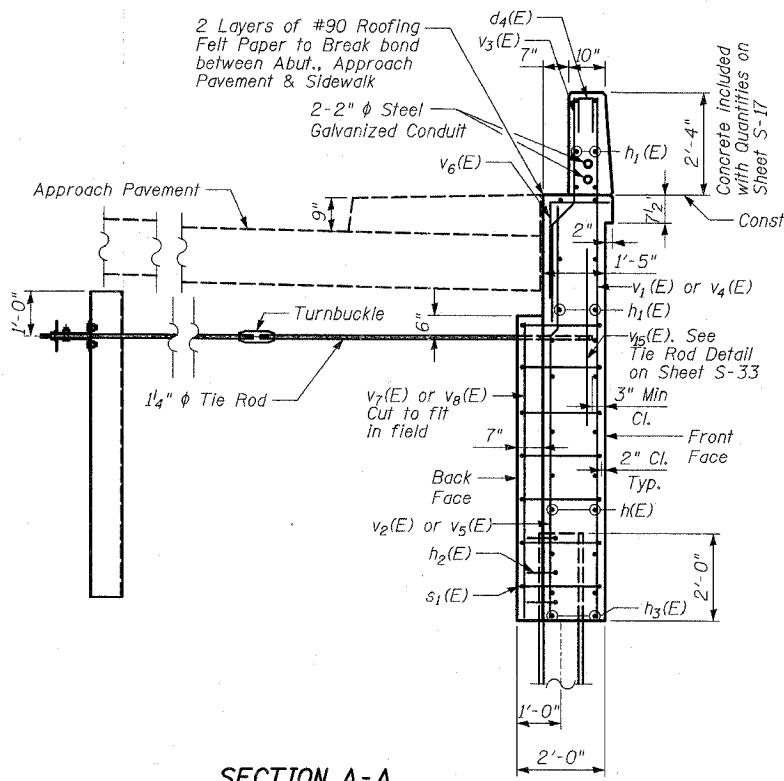


ANCHOR ROD

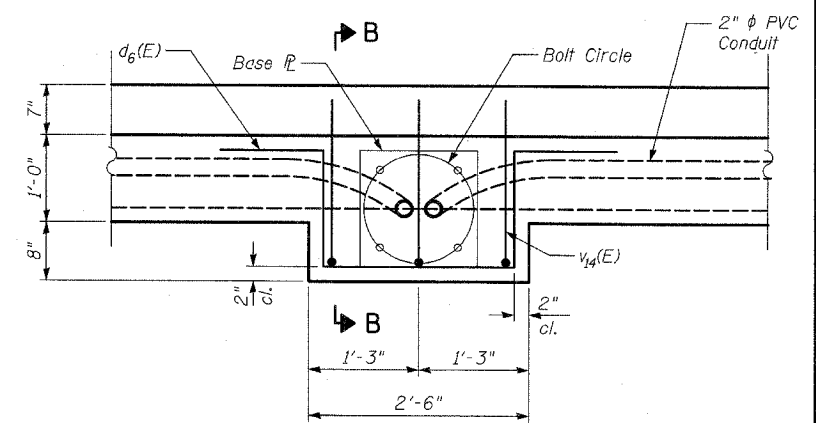
Diameter as specified for light poles.
(ASTM F 1554 Grade 105)



SECTION B-B



SECTION A-A



LIGHT POLE PLAN

TYLIN INTERNATIONAL

LEGEND

- E.F. - Denotes Each Face.
- B.F. - Denotes Back Face.
- F.F. - Denotes Front Face.

NOTES

1. Quantity of Concrete in End Post included with Concrete Superstructure on Sheet S-17.
2. For Details on Bar Splicers, See Sheet S-38.
3. For Details on Piles and Concrete Encasement. See Sheet S-39. Concrete Encasement shall be used on each Abutment and Wingwall Pile.

REVISIONS	
NAME	DATE

ILLINOIS DEPARTMENT OF TRANSPORTATION
EAST ABUTMENT DETAILS - I
 ILLINOIS 60 OVER I-94
 F.A.P. RTE. 335 SECTION 119R-2
 LAKE COUNTY STA. 445+54.14
 S.N. 049-2012 ISTHA BRIDGE NO. 407
 DESIGNED BY: TB
 DRAWN BY: TB
 CHECKED BY: SP
 SCALE:
 DATE: MAY 8, 2007

SHEET S-31 OF S-53

05/03/2007 04:30:47 PM I:\60245511-60\Structural\Itra\I60B01.dgn