

F.A.P. RTE.	SECTION	COUNTY	TOTAL SHEETS	SHEET NO.
335	119R-2	LAKE	439	297
STA. 432+83.12		TO STA. 470+56.84		
FED. ROAD DIST. NO.	ILLINOIS	FED. AID PROJECT		

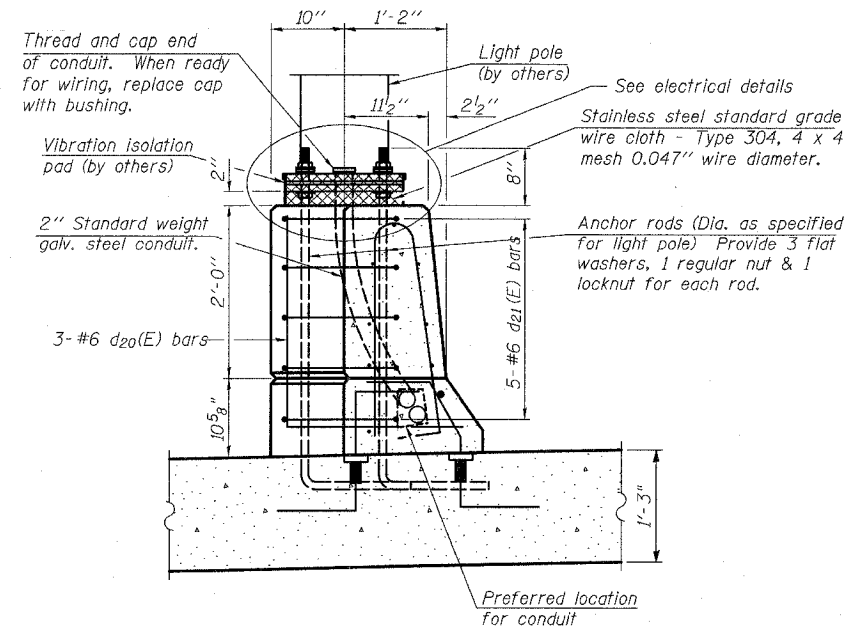
60B01

BILL OF MATERIAL

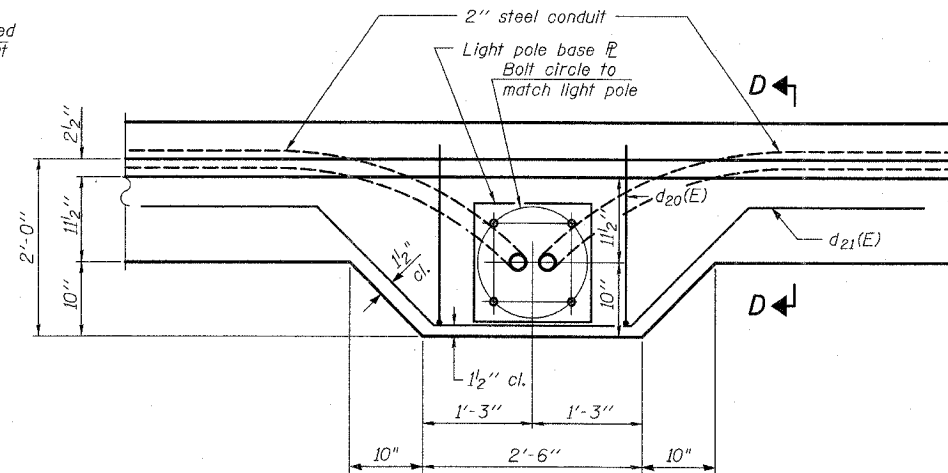
Bar	No.	Size	Length	Shape
d ₂₀ (E)	602	#9	29'-6"	U
d ₂₁ (E)	326	#5	29'-6"	U
d ₂₂ (E)	304	#4	6'-8"	U
d ₂₃ (E)	304	#4	5'-8"	U
b ₂₀ (E)	124	#5	30'-8"	U
b ₂₁ (E)	36	#4	30'-6"	U
b ₂₂ (E)	186	#5	31'-8"	U
b ₂₃ (E)	54	#4	31'-6"	U
c(E)	62	#5	2'-5"	L
c ₂₀ (E)	62	#5	3'-5"	L
c ₂₁ (E)	62	#5	2'-2"	L
c ₂₂ (E)	62	#5	4'-8"	L
c ₂₃ (E)	62	#5	3'-8"	L
d ₄ (E)	16	#4	2'-0"	L
d ₅ (E)	66	#5	5'-7"	L
d ₂₀ (E)	6	#6	4'-5"	L
d ₂₁ (E)	10	#6	10'-0"	L
e ₂₀ (E)	2	#8	29'-6"	U
e ₂₁ (E)	16	#4	29'-6"	U
h ₂₀ (E)	96	#5	30'-10"	U
h ₂₁ (E)	144	#5	31'-9"	U

Protective Coat	SQ YD	1051
Bar Splicers	Each	218
* Reinforcement Bars, Epoxy Coated	Pound	94,876

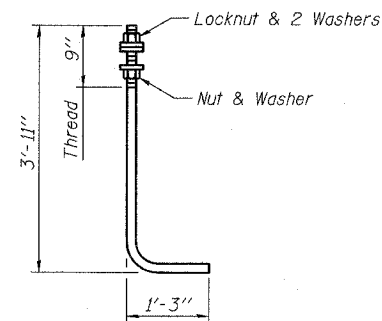
* Provided for information only



SECTION D-D



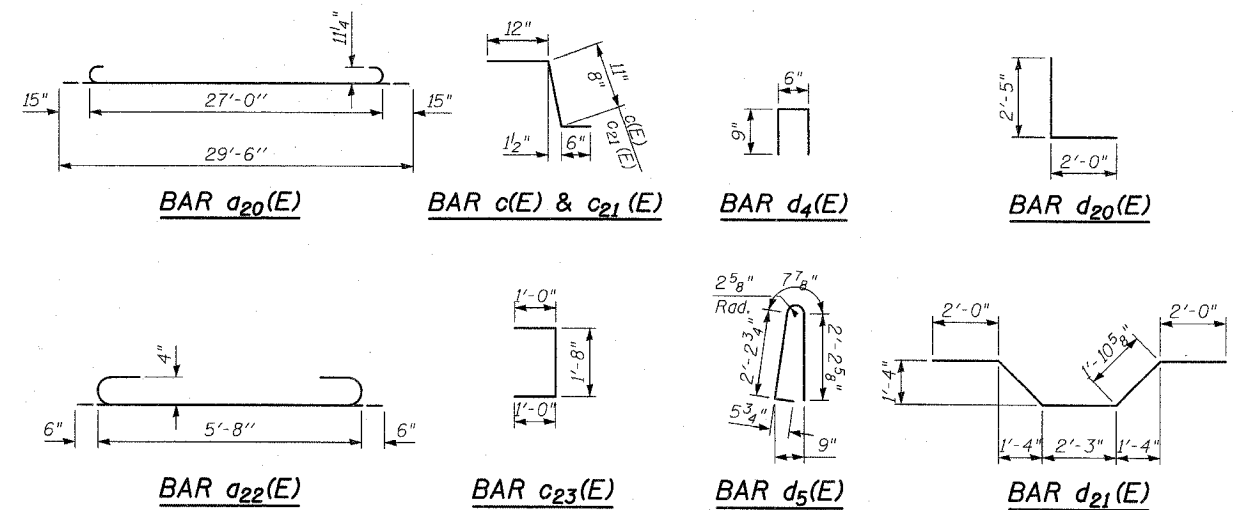
PLAN



ANCHOR ROD

Diameter as specified for light poles. (ASTM F 1554 Grade 105)

Note:
Cost of anchor rods and conduit is included with Concrete Superstructure.



SHEET S-50 OF S-53

REVISIONS	
NAME	DATE

ILLINOIS DEPARTMENT OF TRANSPORTATION
APPROACH PAVEMENT DETAILS - II
 ILLINOIS 60 OVER I-94
 F.A.P. RTE. 335 SECTION 119R-2
 LAKE COUNTY STA. 445+54.14
 S.N. 049-2012 ISTHA BRIDGE NO. 407
 DESIGNED BY: PL
 SCALE: DRAWN BY: SNB
 DATE: MAY 8, 2007 CHECKED BY: SP

TYLIN INTERNATIONAL

PA:602456171-601-structur\T\map\N\60B\B\app-d\2.DWG 05/03/2007 04:31:33 PM