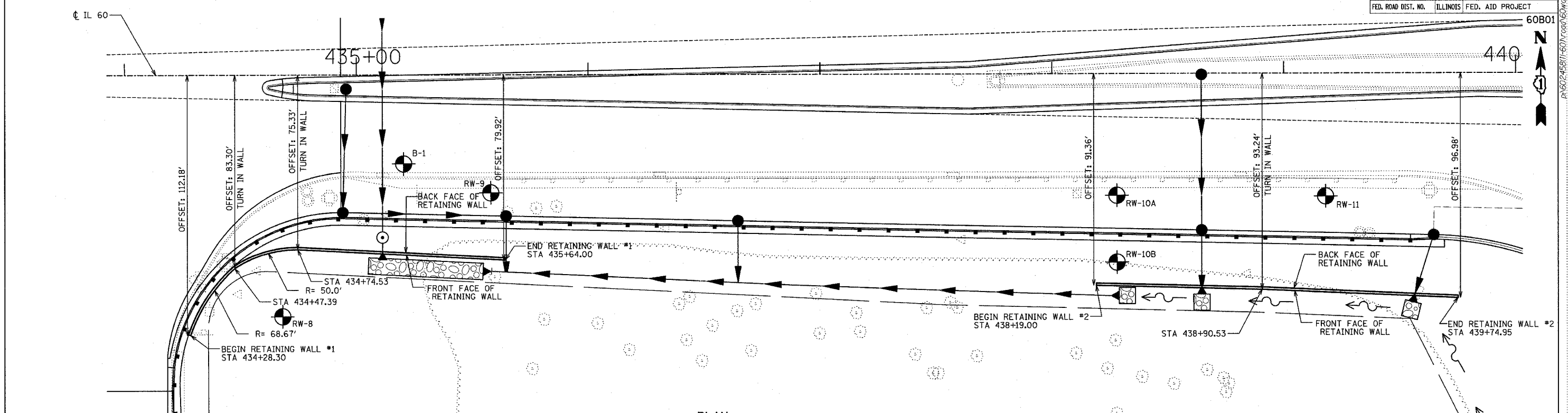
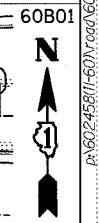
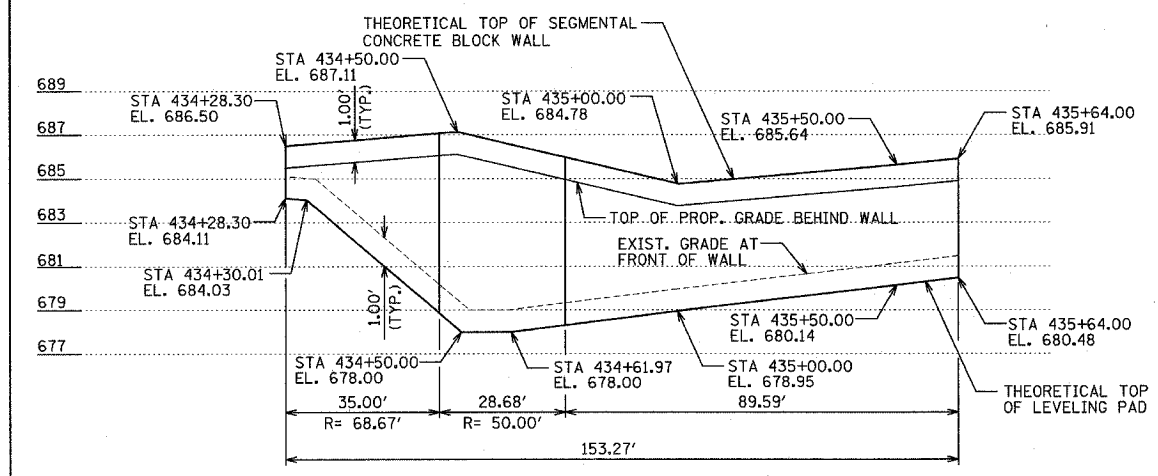


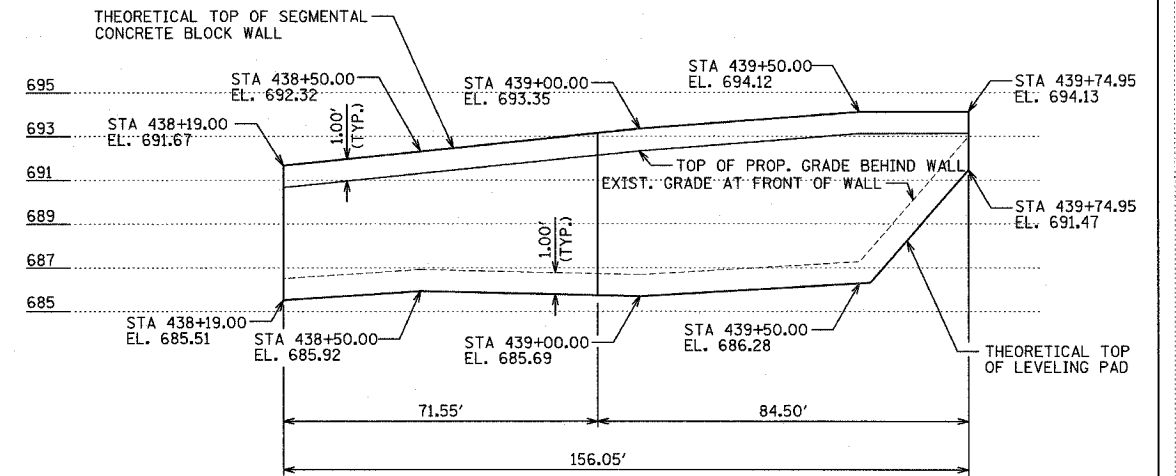
F.A.P. RTE.	SECTION	COUNTY	TOTAL SHEETS	SHEET NO.
335	119R-2	LAKE	439	301
STA. 432+83.12		TO STA. 470+56.84		
FED. ROAD DIST. NO.	ILLINOIS	FED. AID PROJECT		



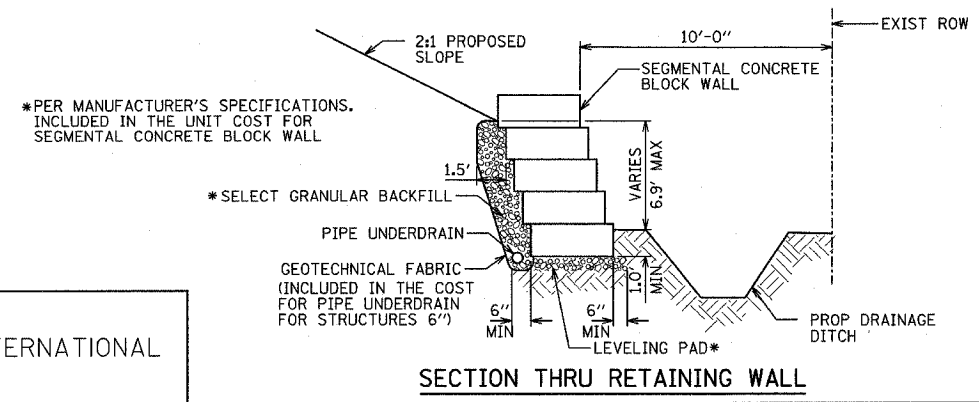
PLAN



ELEVATION WALL #1
SCALED (5:1) (V:H)



ELEVATION WALL #2
SCALED (5:1) (V:H)



SECTION THRU RETAINING WALL

NOTES

- BLOCK SIZE, BATTER, SETBACK & NUMBER OF COURSES PER WALL SUPPLIER DESIGN. SEE SPECIAL PROVISIONS FOR ADDITIONAL REQUIREMENTS.
- OUTLET PIPE UNDERDRAIN TO PROPOSED DRAINAGE DITCH PER WALL SUPPLIER'S DESIGN. COST INCLUDED WITH SEGMENTAL CONCRETE BLOCK WALL.
- WALL SUPPLIER SHALL DETAIL WALL TO ACCOMMODATE OPENINGS FOR DRAINAGE PIPES. FOR DIAMETERS AND INVERTS, SEE DRAINAGE PLANS.

BILL OF MATERIAL

ITEM	UNIT	TOTAL
STRUCTURE EXCAVATION	CU YD	62
PIPE UNDERDRAIN FOR STRUCTURES 6"	FOOT	310
SEGMENTAL CONCRETE BLOCK WALL	SQ FT	2039

REVISIONS	
NAME	DATE

ILLINOIS DEPARTMENT OF TRANSPORTATION
ILLINOIS RTE 60 OVER I-94
SEGMENTAL CONCRETE BLOCK WALLS 1 AND 2
FROM STA 434+28.30 TO STA 435+64.00
AND STA 438+19.00 TO STA 439+74.95

SCALE: DRAWN BY: DE
DATE: MAY 8, 2007 CHECKED BY: SP

TYLIN INTERNATIONAL

05/09/2007 08:48:08 AM