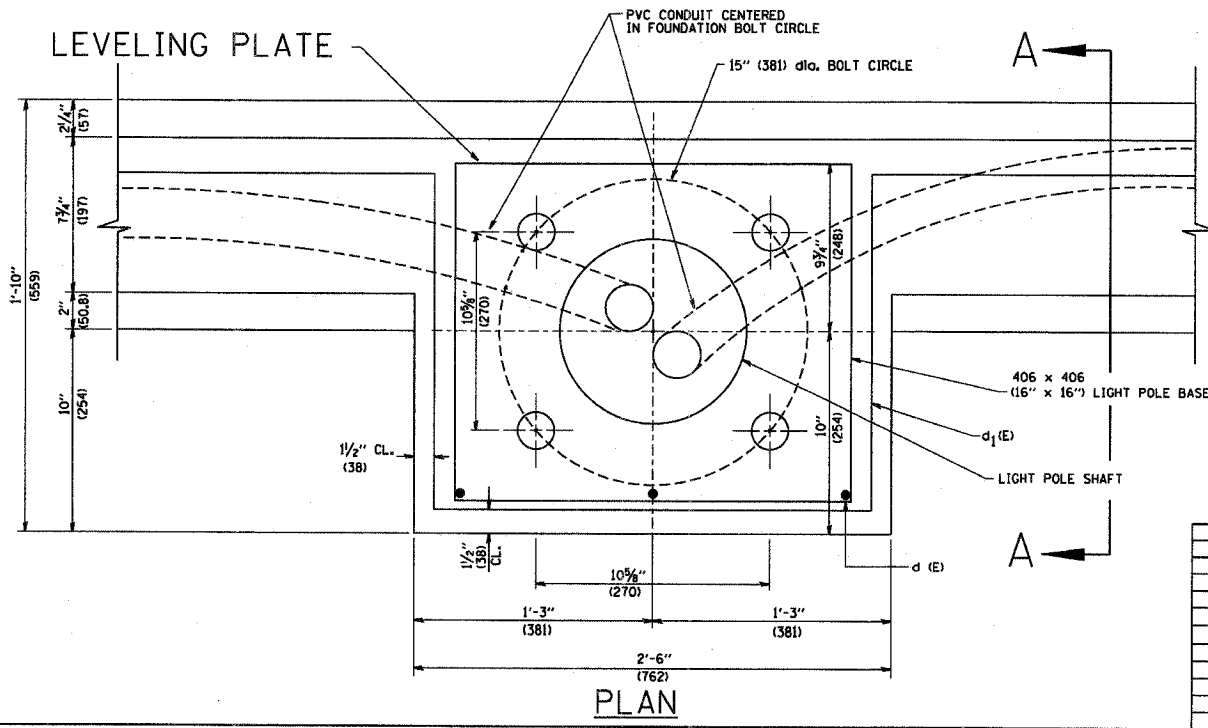
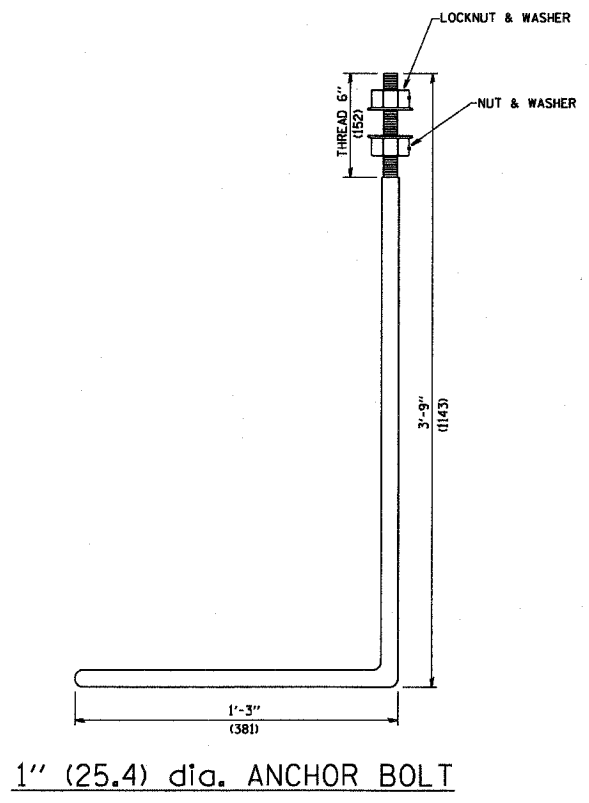
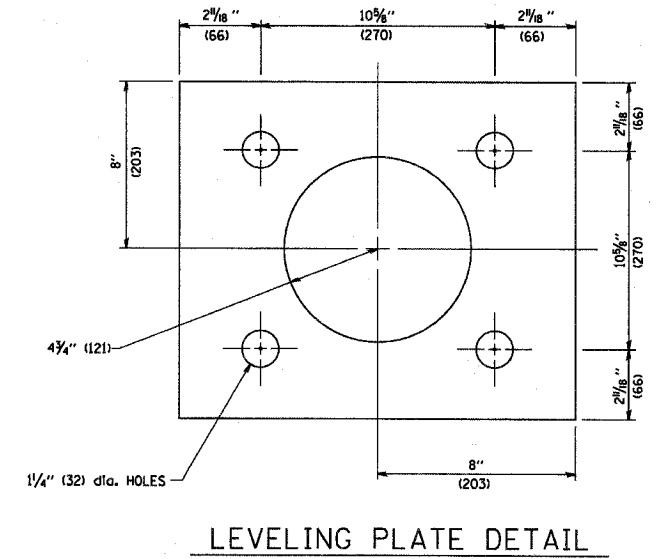
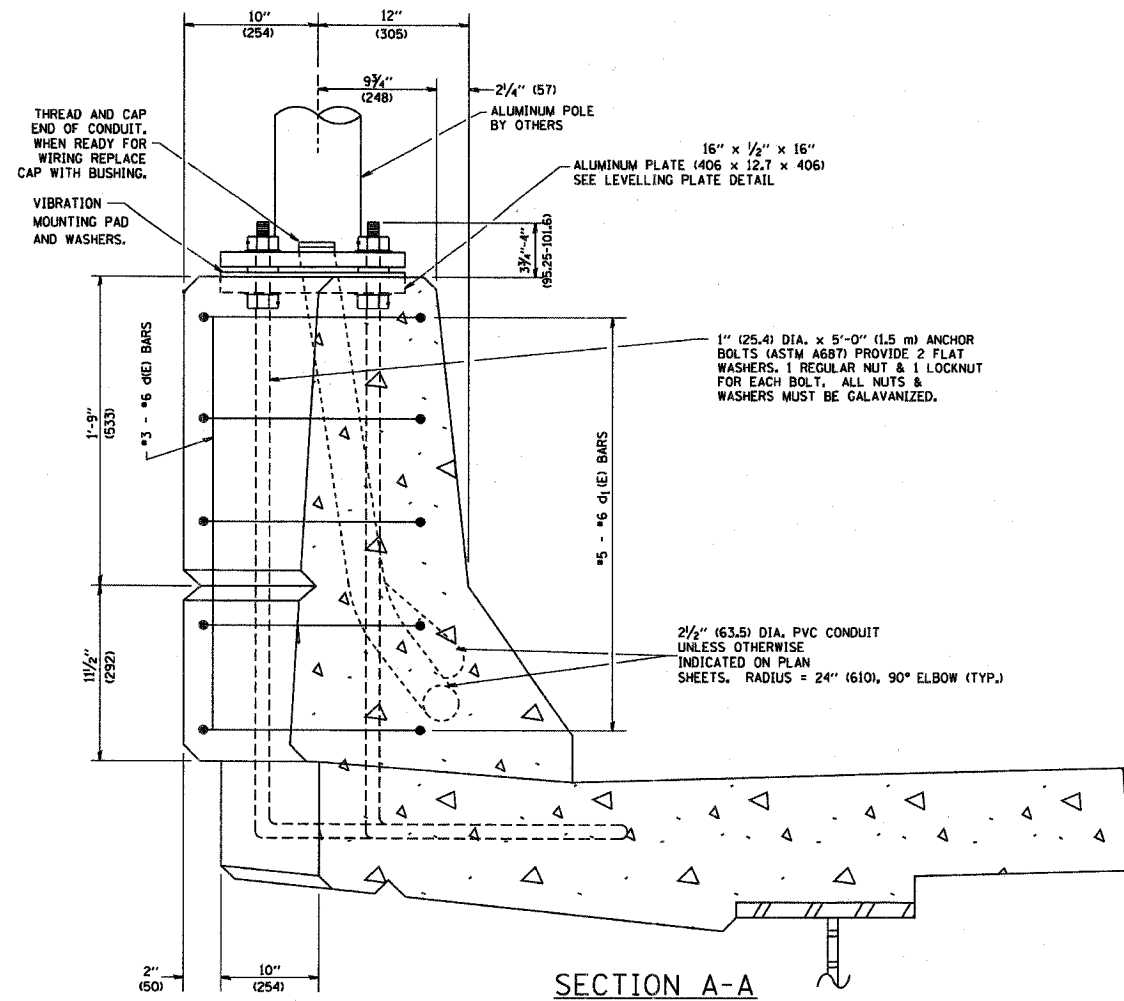
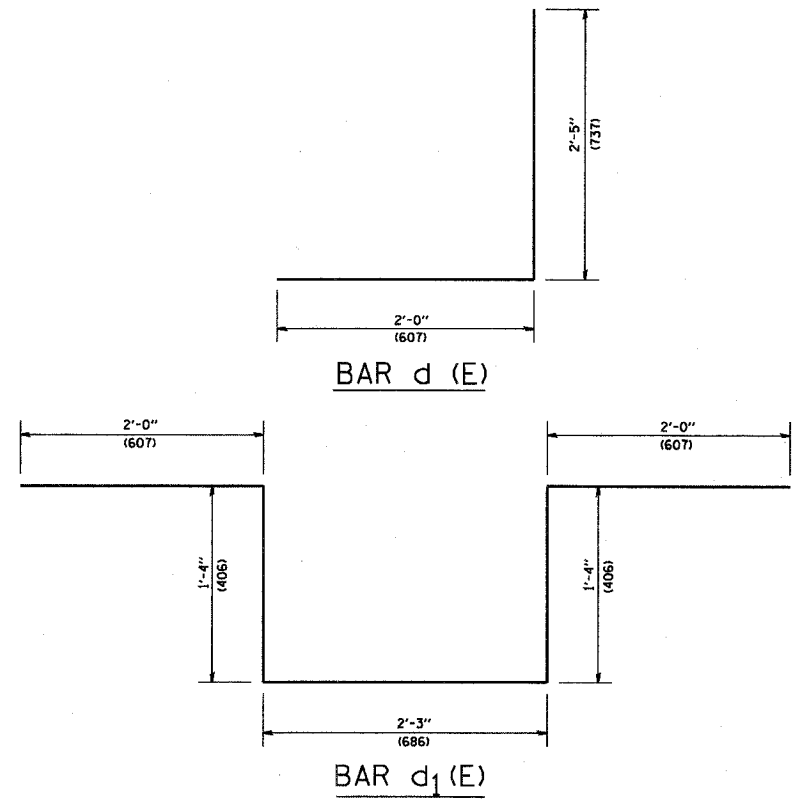


F.A. RTE.	SECTION	COUNTY	TOTAL SHEETS	SHEET NO.
			439	324
STA.		TO STA.		
FED. ROAD DIST. NO. ILLINOIS FED. AID PROJECT				



- NOTES**
1. ALL DIMENSIONS ARE IN INCHES (MILLIMETERS) UNLESS OTHERWISE SHOWN.
  2. LEVEL LIGHT POLE PLATES, USING THE FLANGE NUTS, PRIOR TO POURING THE PARAPET WALL. THE TOP OF THE PLATE SHALL BE AT THE SAME ELEVATION AS THE FINISHED CONCRETE PARAPET.
  3. THE COST OF ANCHOR BOLTS, CONDUIT, LEVELLING PLATE AND FOUNDATION IS INCLUDED IN THE COST OF THE BRIDGE STRUCTURE.

REVISIONS	NAME	DATE

ILLINOIS DEPARTMENT OF TRANSPORTATION  
**LIGHT POLE MOUNTED ON CONCRETE PARAPET WALL**  
 15" (381 mm) BOLT CIRCLE

SCALE: NONE  
 DATE: 1/10/2007

DRAWN BY  
 CHECKED BY  
 BE-330  
 REVISION DATE: 01/01/07

PLOT DATE = 1/10/2007  
 FILE NAME = c:\projects\60801\60801.dgn  
 USER NAME = jlr-1044