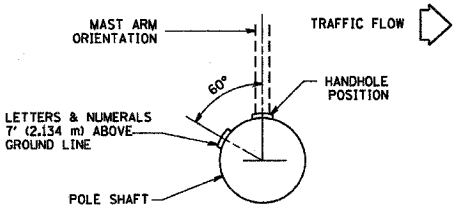
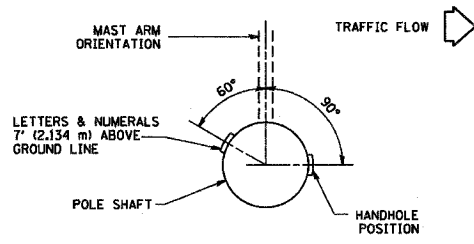


F.A. RTE.	SECTION	COUNTY	TOTAL SHEETS	SHEET NO.
			439	325
STA.		TO STA.		
FED. ROAD DIST. NO. ILLINOIS FED. AID PROJECT				

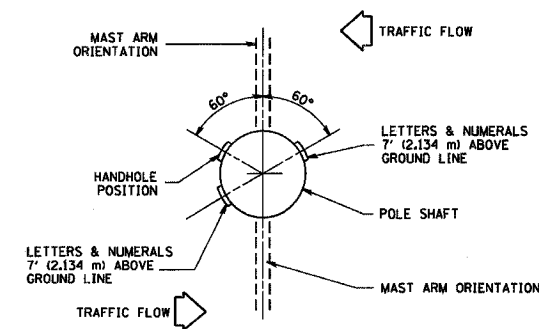
- NOTES:**
1. ALL DIMENSIONS ARE IN INCHES (MILLIMETERS) UNLESS OTHERWISE SHOWN.
 2. MOUNTING HEIGHT IS DEFINED AS THE DISTANCE FROM THE CENTERLINE OF THE TENON TO THE BOTTOM OF THE ANCHOR BASE.
 3. TWO PIECE SHAFT WILL BE MATCHED MARKED AND INTERCHANGEABLE BETWEEN DIFFERENT UNITS. FIELD DRILLING OF THE HOLES WILL NOT BE ALLOWED.
 4. THE LIGHT POLE WILL MEET AASHTO DESIGN CRITERIA AS SPECIFIED.
 5. THE INSTALLING CONTRACTOR WILL PROVIDE A UL LISTED GROUNDING CONNECTOR, BURNDY K2C23, T&B SP4DL OR APPROVED EQUAL.
 6. LIGHT POLES WILL NOT BE INSTALLED WITHOUT MAST ARMS AND LUMINAIRES.
 7. LIGHT POLES WILL BE SET PLUMB ON THE FOUNDATION WITHOUT THE USE OF LEVELING NUTS, WASHERS OR SHIMS.
 8. LIGHTING UNIT IDENTIFICATION NUMBERS SHALL BE INSTALLED BEFORE THE LIGHTING UNIT IS ENERGIZED.



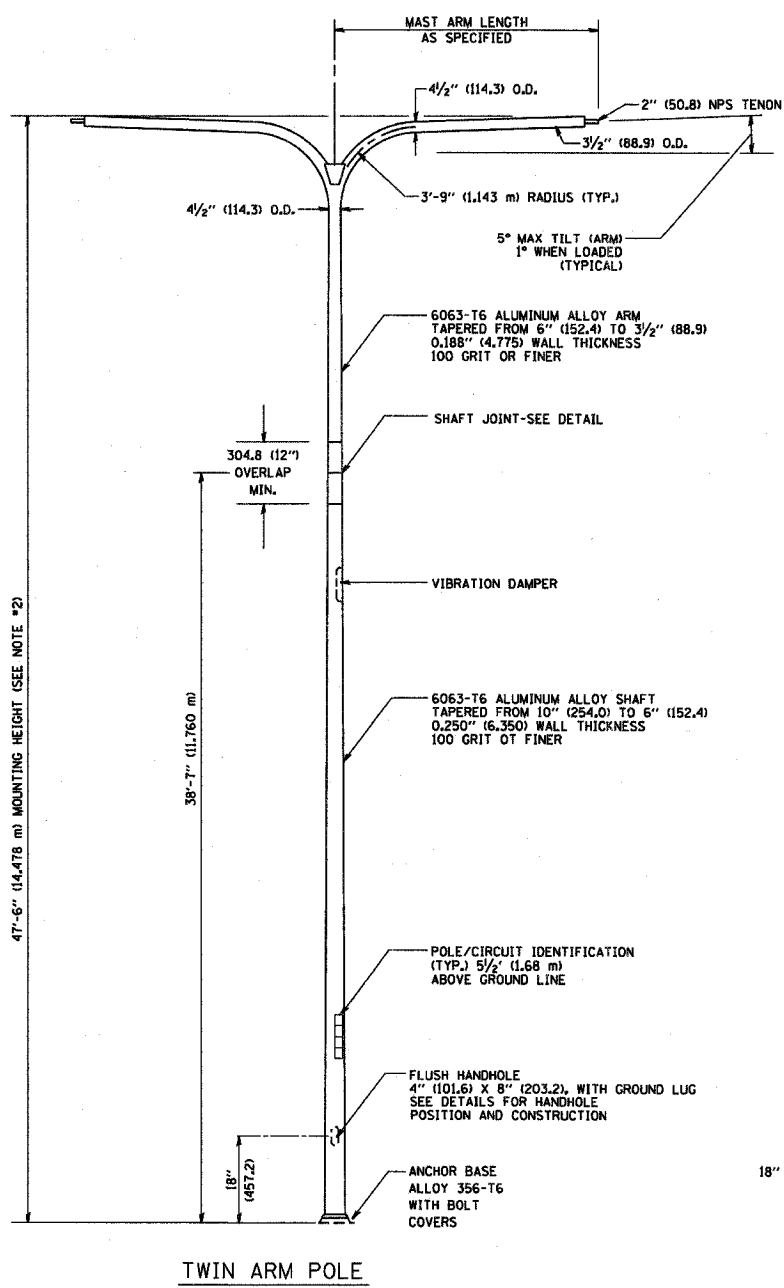
POSITION OF HANDHOLE AND POLE NUMBER FOR SINGLE MAST ARM POLES MOUNTED ON BRIDGE PARAPET OR BARRIER WALL



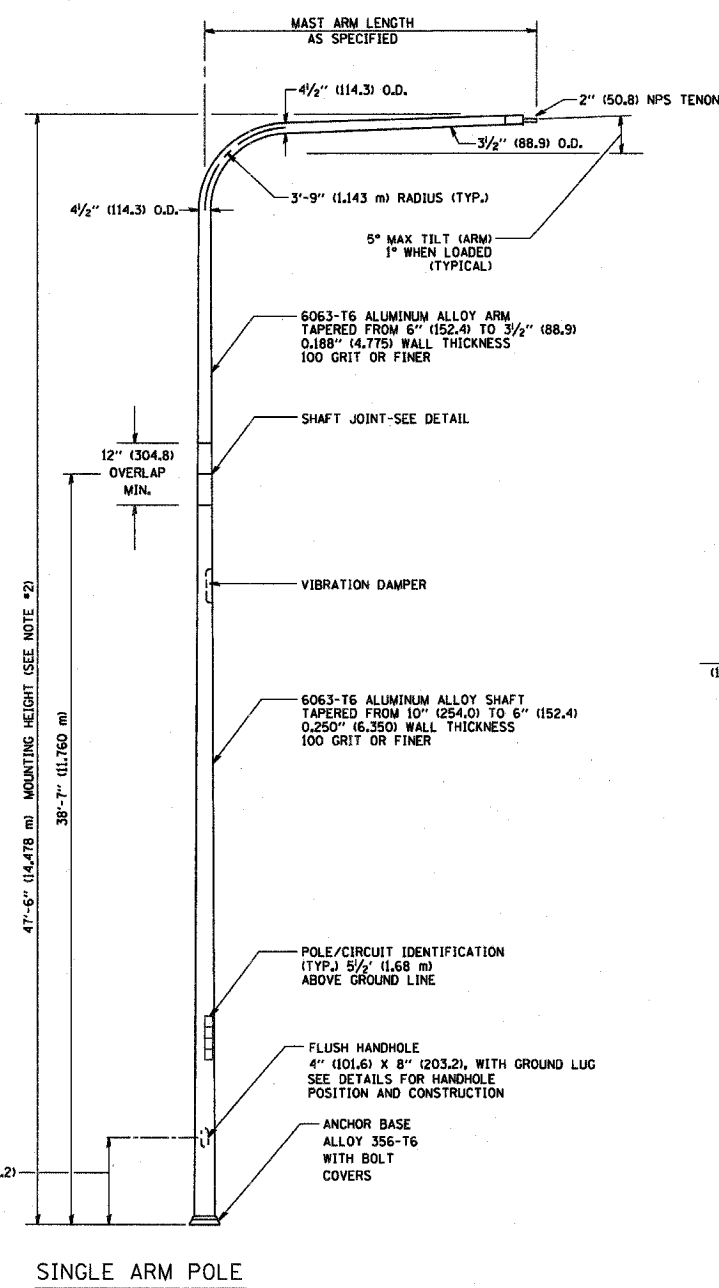
POSITION OF HANDHOLE AND POLE NUMBER FOR SINGLE MAST ARM POLES



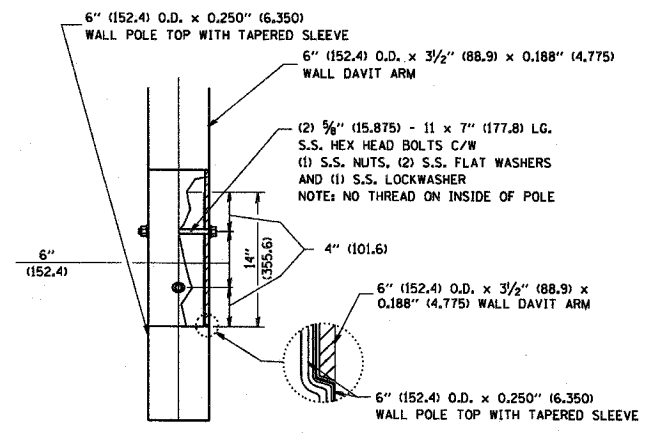
POSITION OF HANDHOLE AND POLE NUMBER FOR TWIN MAST ARM POLES



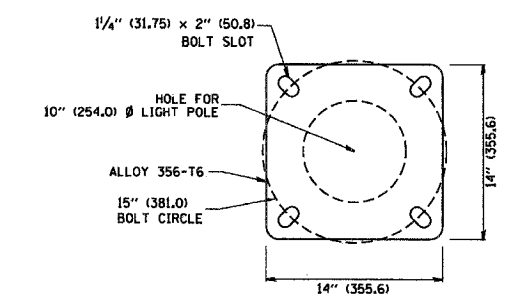
TWIN ARM POLE



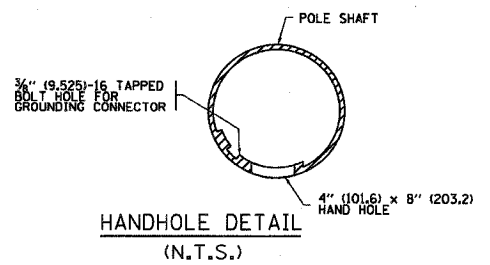
SINGLE ARM POLE



DAVIT ARM CONNECTION [14\"/>



LIGHT POLE BASE PLATE DETAIL (FOR POLE MOUNTED ON 15 INCH (381.0) BOLT CIRCLE FOUNDATION)



HANDHOLE DETAIL (N.T.S.)

REVISIONS	
NAME	DATE
D. DREW	4-2-92
D. DREW	5-7-92
R. TOMSONS	9-6-00
R. TOMSONS	8-12-03

ILLINOIS DEPARTMENT OF TRANSPORTATION

DAVIT LIGHT POLE
47' - 6" (14,478 m)
MOUNTING HEIGHT

SCALE: NONE
DATE: 1/16/2007

DRAWN BY LEY
CHECKED BY
BE-410
REVISION DATE: 01/01/07

DATE: 1/16/2007
DRAWN BY: [unreadable]
CHECKED BY: [unreadable]
USER NAME: [unreadable]