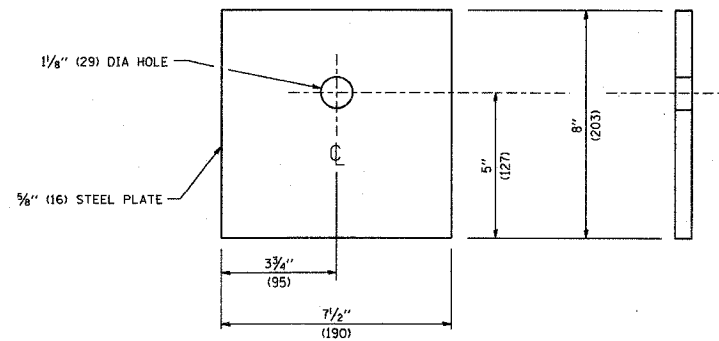
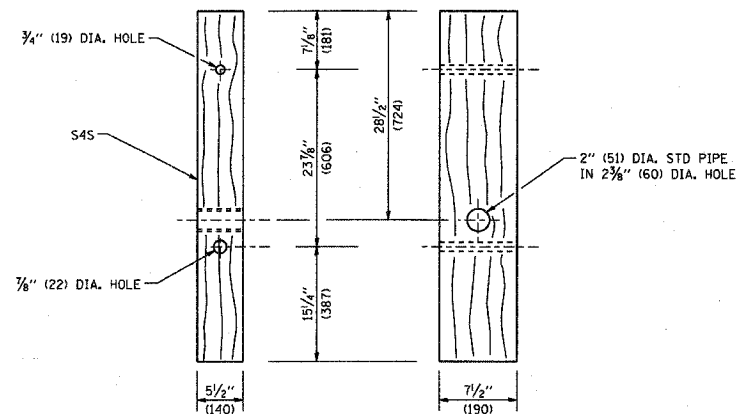


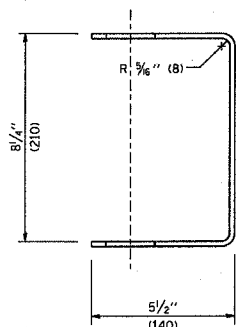
F.A. RTE.	SECTION	COUNTY	TOTAL SHEETS	SHEET NO.
			439	328
STA.		TO STA.		
FED. ROAD DIST. NO.		ILLINOIS FED. AID PROJECT		



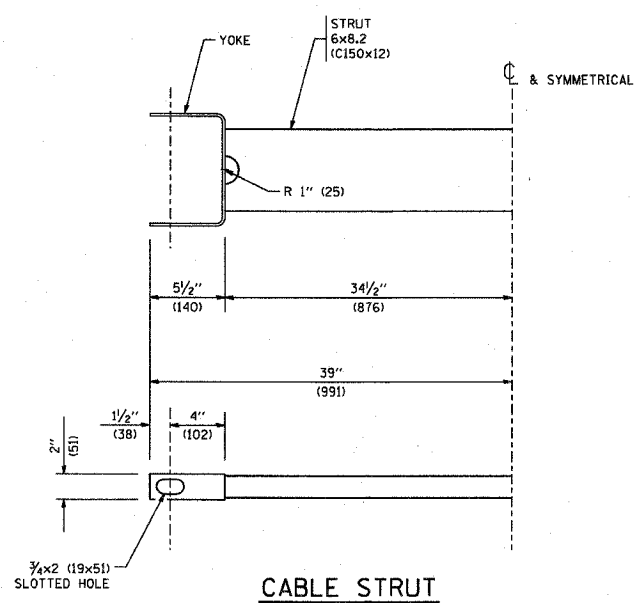
BEARING PLATE K



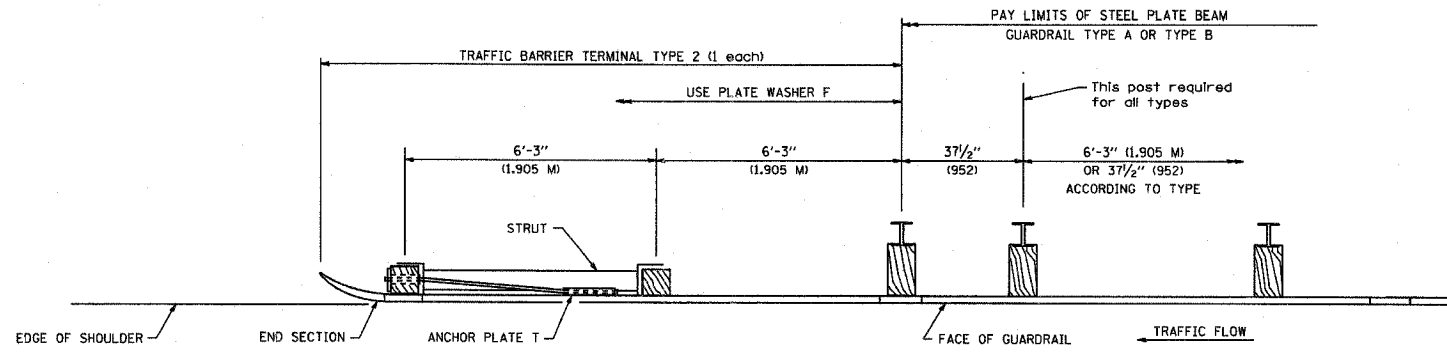
WOOD POST



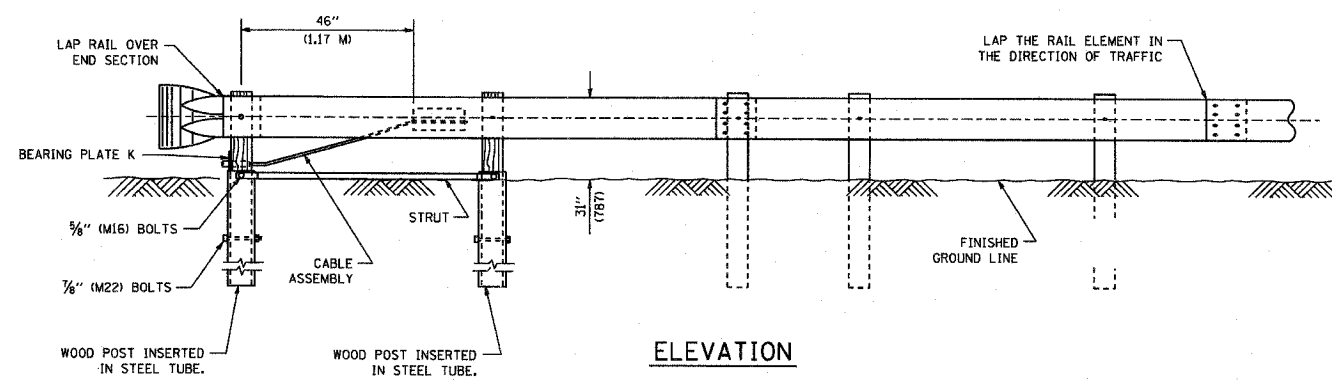
YOKE



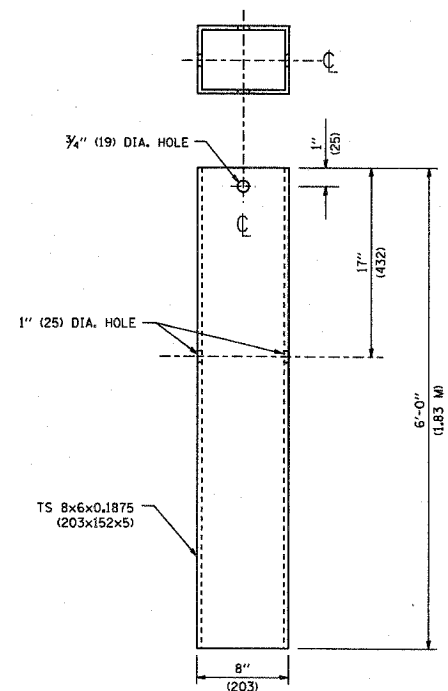
CABLE STRUT



PLAN



ELEVATION



STEEL TUBE

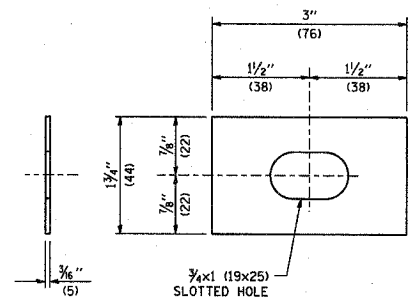


PLATE WASHER F

GENERAL NOTES

SEE STANDARD 630001 FOR DETAILS OF GUARDRAIL NOT SHOWN.  
 THE BEARING PLATE K SHALL BE HELD IN POSITION BY (2) TWO EIGHT PENNY NAILS DRIVEN INTO THE POST AND BENT OVER THE TOP OF THE PLATE.  
 ALL DIMENSIONS ARE IN MILLIMETERS (INCHES) UNLESS OTHERWISE SHOWN.

REVISIONS	
NAME	DATE

ILLINOIS DEPARTMENT OF TRANSPORTATION

TRAFFIC BARRIER TERMINAL, TYPE 2

SCALE: NONE

DRAWN BY

CHECKED BY

BD-TRAFBARTEMTYPE2

PLOT DATE = 3/12/2007  
 PLOT SCALE = 1/8" = 1'-0"  
 USER NAME = bboard