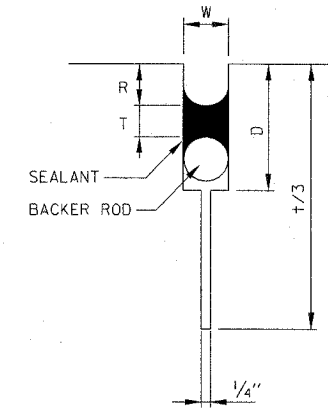


NOTE: FOR 13" PAVEMENT USE THE FOLLOWING
 1-1/2"Ø X 18" LONG ON 9" CENTERS OR
 1-3/4"Ø X 18" LONG ON 12" CENTERS

**TRANSVERSE CONSTRUCTION JOINT / CONTRACTION JOINT
 (JOINTED PLAIN CONCRETE PAVEMENT)**

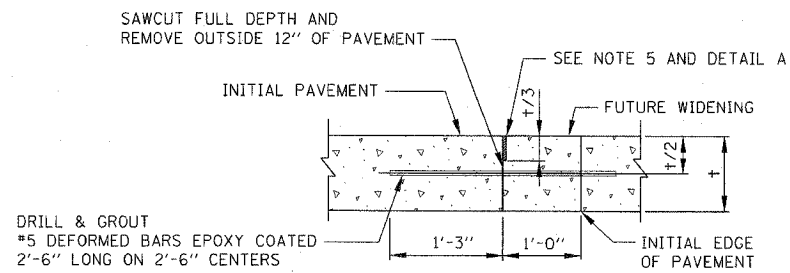


DETAIL A

TYPICAL JOINT CROSS-SECTION

W = SEALANT WIDTH, 3/8" MIN
 T = SEALANT THICKNESS
 R = SEALANT RECESS, FLUSH OR OVER BANDING NOT ALLOWED
 D = JOINT CHANNEL DEPTH
 † = PAVEMENT THICKNESS

AS RECOMMENDED BY MANUFACTURER



**LONGITUDINAL JOINT
 (FUTURE WIDENING)**

GENERAL NOTES

1. DOWEL BAR CAPS SHALL BE PLACED ON OPPOSITE END OF ADJACENT DOWEL BARS.
2. ALL SLOPE RATIOS ARE EXPRESSED AS UNITS OF VERTICAL DISPLACEMENT TO UNITS OF HORIZONTAL DISPLACEMENT (V:H).
3. ALL DIMENSIONS ARE IN INCHES UNLESS OTHERWISE SHOWN.
4. † = PAVEMENT THICKNESS
5. SAW CUTS FOR PAVEMENT CRACK CONTROL AND JOINT SEALING SHALL BE MADE IN TWO STEPS. A 3/8" SAW CUT SHALL BE PROVIDED AS A JOINT SEALANT RESERVOIR TO THE DEPTH RECOMMENDED BY THE SEALANT MANUFACTURER AND APPROVED BY THE ENGINEER.

APPROVED *Jeff Haley* CHIEF ENGINEER DATE 1-1-2007



DATE	REVISIONS

PAVEMENT JOINTS
 STANDARD A7-00