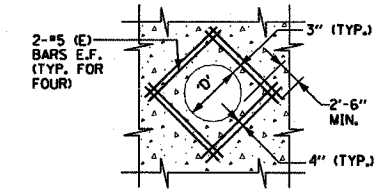
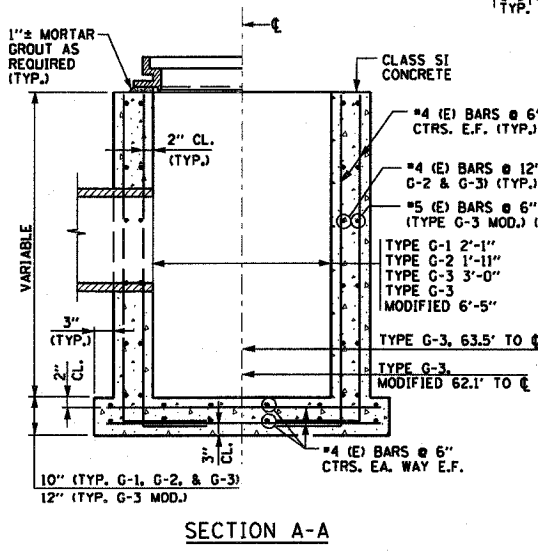
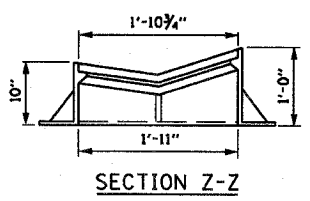
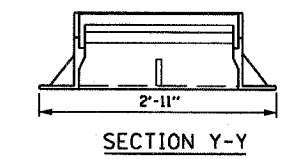
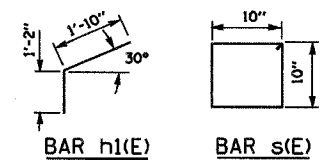


**NOTES:**

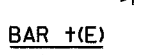
1. PRECAST CONCRETE UNITS WILL BE ACCEPTABLE PROVIDED THEY MEET ALL THE REQUIREMENTS AS SHOWN ON THIS DRAWING. BASE EXTENSION OF 3" NOT REQUIRED FOR PRECAST UNITS. FABRICATION DRAWINGS SHOWING PIPE OPENINGS, REINFORCEMENT AND OTHER PERTINENT DIMENSIONS WILL BE REQUIRED FOR EACH UNIT, FOR APPROVAL BY THE ENGINEER PRIOR TO FABRICATION.
2. CATCH BASINS TYPE G-SERIES SHALL BE USED IN THE SWALE ON THE HIGH SIDE OF SUPERELEVATED PAVEMENT.
3. CATCH BASINS TYPE G-2 SHALL BE USED ALONG RAMPS WHERE G-2 GUTTER IS PROVIDED.
4. CATCH BASINS TYPE G-3 SHALL BE USED WHERE G-3 GUTTER IS PROVIDED.
5. CATCH BASINS TYPE G-3 MODIFIED SHALL BE USED IN PAVEMENT SECTIONS AND ON THE LOW SIDE OF SUPERELEVATED PAVEMENT.
6. CATCH BASINS TYPE G-3 MODIFIED SHALL BE PROVIDED WITH A REINFORCED CONCRETE SLAB TOP AS DETAILED ON THIS DRAWING.
7. TYPE S FRAME AND GRATE SHALL BE NEENAH R-3338-F MODIFIED BY THE ADDITION OF THE FOURTH SIDE OF THE FRAME, OR APPROVED EQUAL.
8. REFER TO STANDARD B9 (FRAME AND GRATE TYPE S, REINFORCED CONCRETE LID FOR TYPES G-3 & S FRAMES) FOR FRAME AND GRATE DETAILS.
9. TYPE G-2 FRAME AND GRATE SHALL BE NEENAH R-3508-A2 OR APPROVED EQUAL.
10. TYPE G-3 FRAME AND GRATE SHALL BE NEENAH INLET FOR ROLL TYPE CURB R-3501-U OR EAST JORDAN IRON WORKS 10004 OR APPROVED EQUAL.
11. TYPE G-3, MODIFIED FRAME AND GRATE SHALL BE NEENAH INLET FOR ROLL TYPE CURB SPECIAL R-3501-UI OR APPROVED EQUAL.
12. MORTAR OR SEALER SHALL BE USED WHEN A PRECAST REINFORCED CONCRETE LID IS USED.
13. REINFORCEMENT BARS DESIGNATED (E) SHALL BE EPOXY COATED.



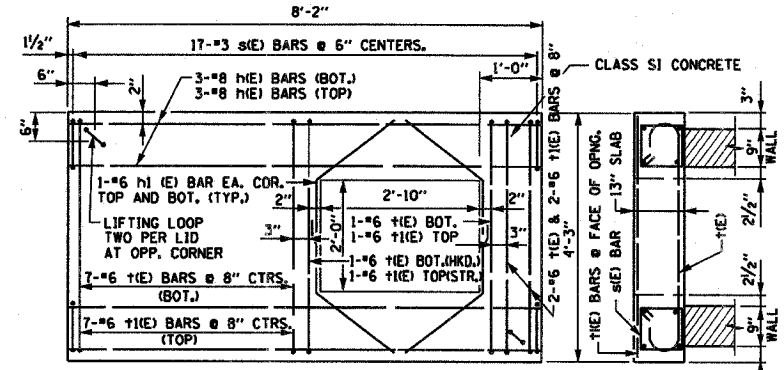
TYPICAL REINFORCEMENT AROUND STORM SEWER PIPE



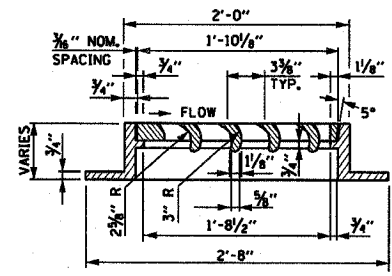
SECTION A-A



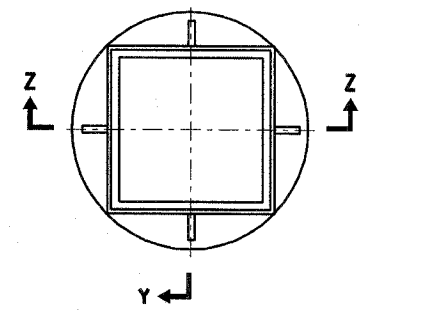
BAR t(E)



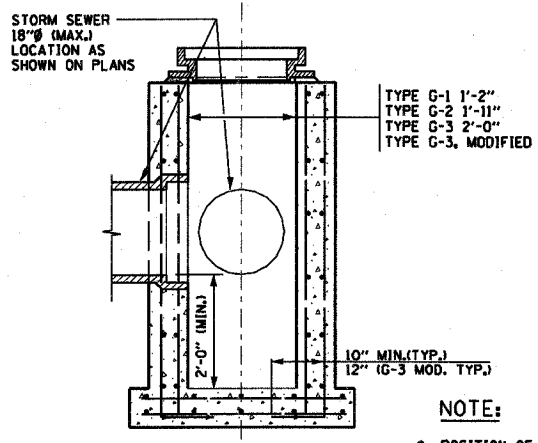
REINFORCED CONCRETE LID TYPE G-3 FRAME AND GRATE



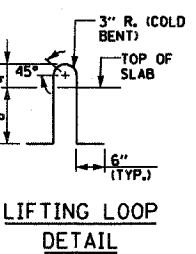
SECTION T-T



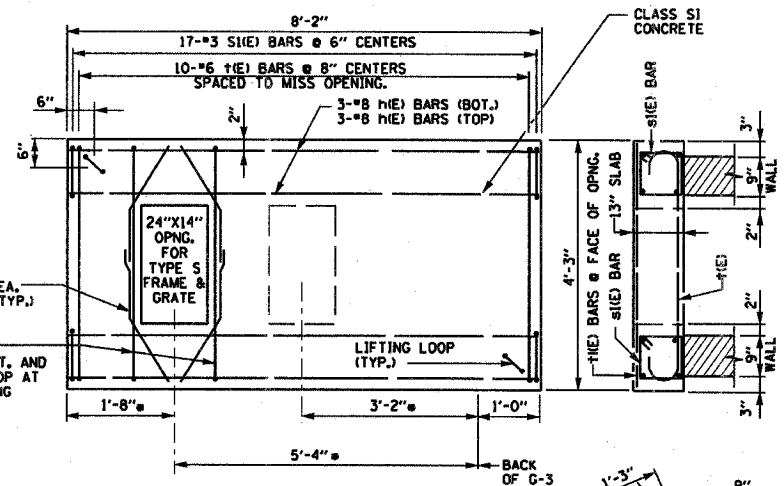
TYPE G-2 FRAME & GRATE



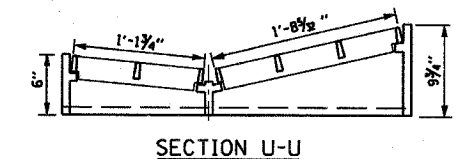
SECTION B-B  
CATCH BASIN TYPE "G" SERIES



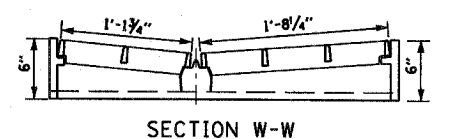
LIFTING LOOP DETAIL



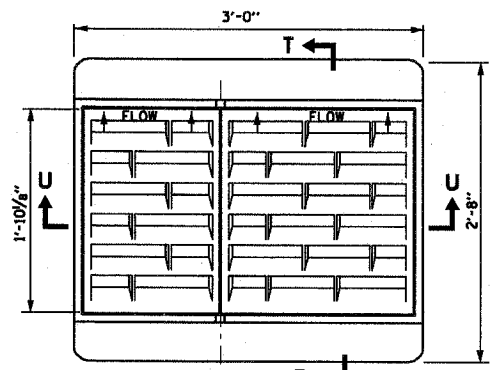
REINFORCED CONCRETE LID TYPE S FRAME AND GRATE



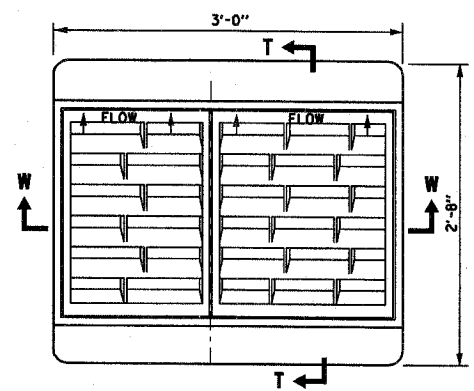
SECTION U-U



SECTION W-W



TYPE G-3 FRAME & GRATE



TYPE G-3, MODIFIED FRAME & GRATE

**NOTE:**  
• POSITION OF OPENING VARIES FROM 3'-2" TO 5'-4" MEASURED FROM BACK OF GUTTER LINE

DRAINAGE STRUCTURE TYPE G-3, MODIFIED

APPROVED *Jeff Staley*  
DATE 1-1-2007

DATE	REVISIONS

**Illinois Tollway**  
Open Roads for a Faster Future

CATCH BASINS TYPES G & TYPE G MODIFIED, FRAMES AND GRATES TYPE G-2, G-3 & G-3 MODIFIED

STANDARD B8-00