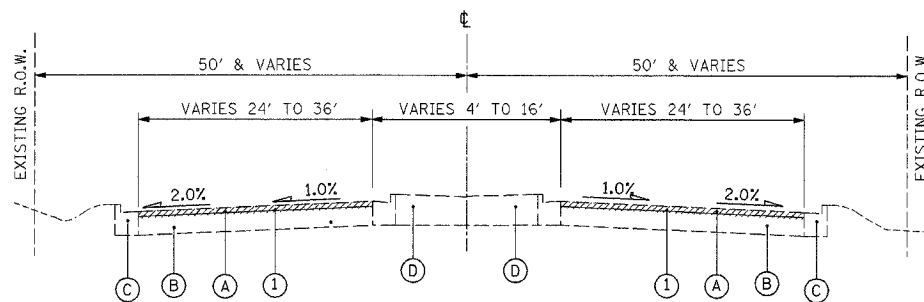
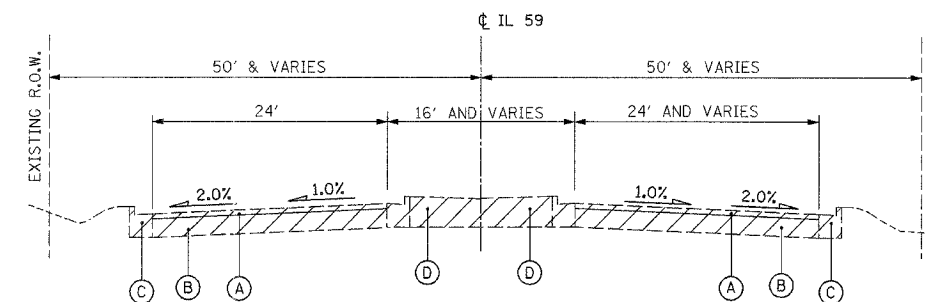


F.A.J. RTE.	SECTION	COUNTY	TOTAL SHEETS	SHEET NO.
1320	581EXT-BR	COOK	46	5
FED. ROAD DIST. NO.		ILLINOIS	FED. AID PROJECT	



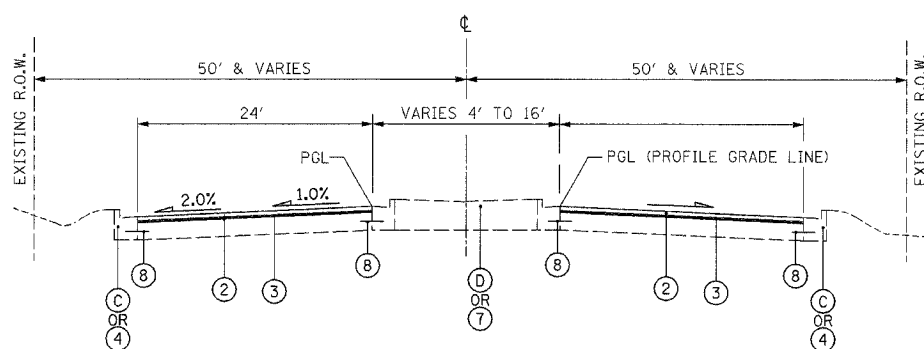
EXISTING TYPICAL SECTION

SUTTON ROAD (RTE. 59) STA. 1996+30.0 TO STA. 2005+76.0  
 GOLF ROAD (RTE. 58) STA. 1113+94.0 TO STA. 1114+53.3  
 GOLF ROAD (RTE. 58) STA. 1116+26.7 TO STA. 1124+03.0



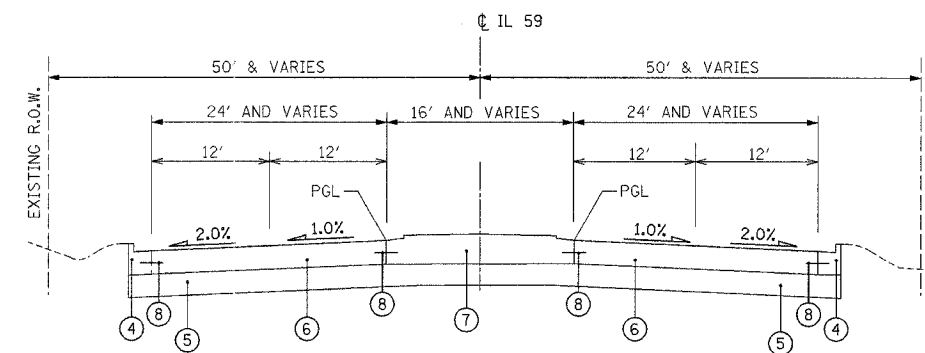
EXISTING TYPICAL SECTION

GOLF ROAD (RTE. 58) STA. 1114+53.3 TO STA. 1114+61.3  
 GOLF ROAD (RTE. 58) STA. 1116+18.7 TO STA. 1116+26.7



PROPOSED TYPICAL SECTION

SUTTON ROAD (RTE. 59) STA. 1996+30.0 TO STA. 2005+76.0  
 GOLF ROAD (RTE. 58) STA. 1113+94.0 TO STA. 1114+53.3  
 GOLF ROAD (RTE. 58) STA. 1116+26.7 TO STA. 1124+03.0



PROPOSED TYPICAL SECTION

GOLF ROAD (RTE. 58) STA. 1114+53.3 TO STA. 1114+61.3  
 GOLF ROAD (RTE. 58) STA. 1116+18.7 TO STA. 1116+26.7

EXISTING CONDITIONS:

- (A) HOT-MIX ASPHALT SURFACE, 3" & VARIES
- (B) EXISTING P.C.C. PAVEMENT, 10" & VARIES
- (C) COMBINATION CONCRETE CURB AND GUTTER
- (D) PAVED MEDIAN

PROPOSED IMPROVEMENTS:

- (1) HOT-MIX ASPHALT SURFACE REMOVAL, 2 1/2"
- (2) HOT-MIX ASPHALT SURFACE COURSE, MIX "F", N90, 1 3/4" (IL 9.5 mm)
- (3) LEVELING BINDER (MACHINE METHOD), N70, 3/4" & VARIES (IL 9.5 mm)
- (4) COMBINATION CONCRETE CURB AND GUTTER, TYPE B-6.24
- (5) AGGREGATE SUBGRADE, 12"
- (6) BRIDGE APPROACH PAVEMENT CONNECTOR (P.C.C.)
- (7) CONCRETE MEDIAN, TYPE SM-2.12 OR SB-9.12
- (8) NO. 6 24" TIE BARS WITH 24" C-C. COST INCLUDED IN COST OF CURB AND GUTTER.

HOT-MIX ASPHALT MIXTURE REQUIREMENTS

MIXTURE TYPE	AC TYPE	AIR VOIDS
HOT-MIX ASPHALT SURFACE COURSE, MIX "F", N90, 1 3/4" (IL 9.5 mm)	SBS/SBR PG 70-22	4% @ 90 GYR
LEVELING BINDER (MACHINE METHOD), N70, 3/4" AND VARIES (IL 9.5 mm)	PG 64-22 *	4% @ 50 GYR
TEMP PAVEMENT HMA BINDER, (IL-19 mm)	PG 64-22 *	4% @ 50 GYR
TEMP PAVEMENT HMA SURFACE COURSE, MIX "D", N50, 2" (IL 9.5 mm)	PG 64-22	4% @ 50 GYR

\* WHEN RAP EXCEEDS 20%, THE NEW ASPHALT BINDER IN THE MIX SHALL BE PG 58 - 22  
 THE UNIT WEIGHT USED TO CALCULATE ALL HOT-MIX ASPHALT MIXTURES IS 112 LB/SQ YD/INCH

REVISIONS	
NAME	DATE

ILLINOIS DEPARTMENT OF TRANSPORTATION  
 FAU 1320 (IL 58 GOLF ROAD)  
 OVER POPLAR CREEK

TYPICAL SECTIONS

SCALE: NOT TO SCALE  
 DATE 7/20/07

DRAWN BY: AJR  
 CHECKED BY: RS