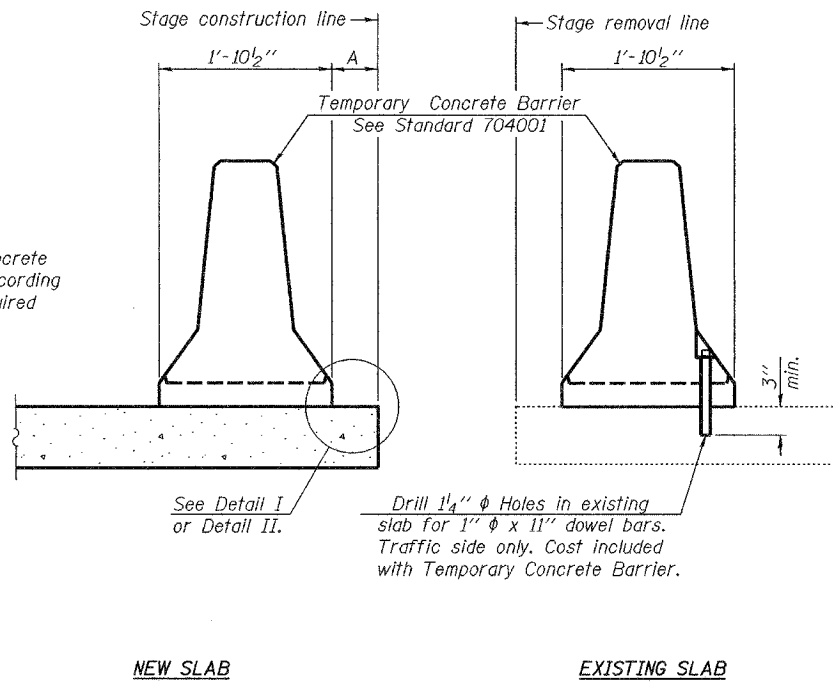


STATE OF ILLINOIS
DEPARTMENT OF TRANSPORTATION

ROUTE NO.	SECTION	COUNTY	SHEETS	PART NO.	SHEET NO. 3
F.A.U. 1320 (IL 58)	581 EXT -BR	COOK	46	22	11 SHEETS
FED. ROAD DIST. NO. 7	ILLINOIS	FED. AID PROJECT-			

Contract #60B82

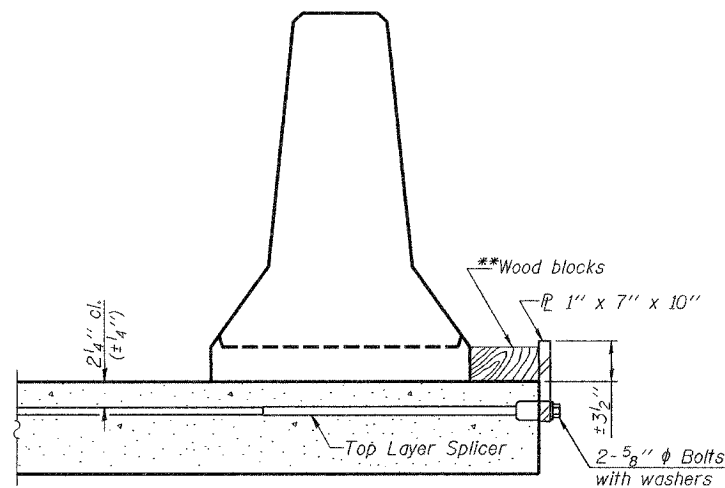


When "A" is 3'-6" or less, the temporary concrete barrier shall be anchored to the new slab according to Detail I or Detail II. No anchorage is required when "A" is greater than 3'-6".

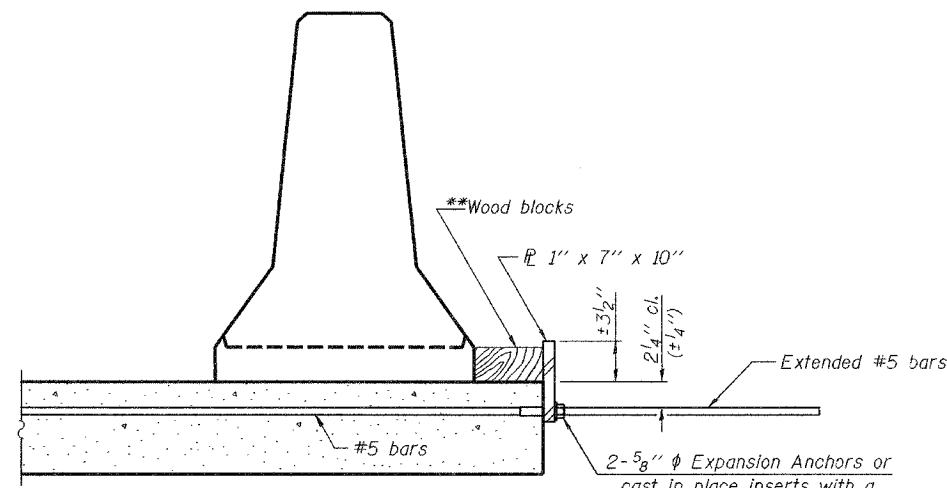
NOTES

- Detail I - With Bar Splicer or Couplers:**
Connect one (1) 1"x7"x10" steel \bar{P} to the top layer of couplers with 2-5/8" ϕ bolts screwed to coupler at approximate \bar{C} of each barrier panel.
- Detail II - With Extended Reinforcement Bars:**
Connect one (1) 1"x7"x10" steel \bar{P} to the concrete slab with 2-5/8" ϕ Expansion Anchors or cast in place inserts spaced between the top layer of reinforcement at approximate \bar{C} of each barrier panel.
- Cost of anchorage is included with Temporary Concrete Barrier.
The 1" x 7" x 10" plate shall not be removed until stage II construction forms and all reinforcement bars are in place and the concrete is ready to be placed.

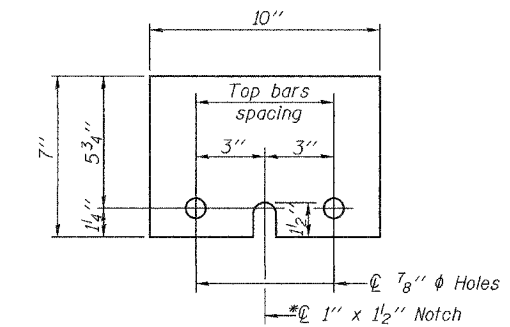
SECTIONS THRU SLAB



DETAIL I



DETAIL II



STEEL RETAINER 1" X 7" X 10"

*Required only with Detail II

** Wood blocks may be omitted when required to provide minimum stage traffic lane width. When the wood blocks are omitted, the concrete barrier shall be in direct contact with the steel retainer plate.

DESIGNED Dhruv P. Narielwala	August 10 2007
CHECKED Stephen M. Ryan	EXAMINED Thomas J. Domagala
DRAWN R. Sommer	PASSED Ralph E. Anderson
CHECKED DPN/SMR	ENGINEER OF BRIDGES AND STRUCTURES

R-27 11-1-06

**TEMPORARY CONCRETE BARRIER
FOR STAGE CONSTRUCTION
IL 58 (GOLF ROAD) OVER POPLAR CREEK
F.A.U. RT. 1320 SEC. 581 EXT-BR
COOK COUNTY
STATION 1115+40.00
STRUCTURE NO. 016-2087**