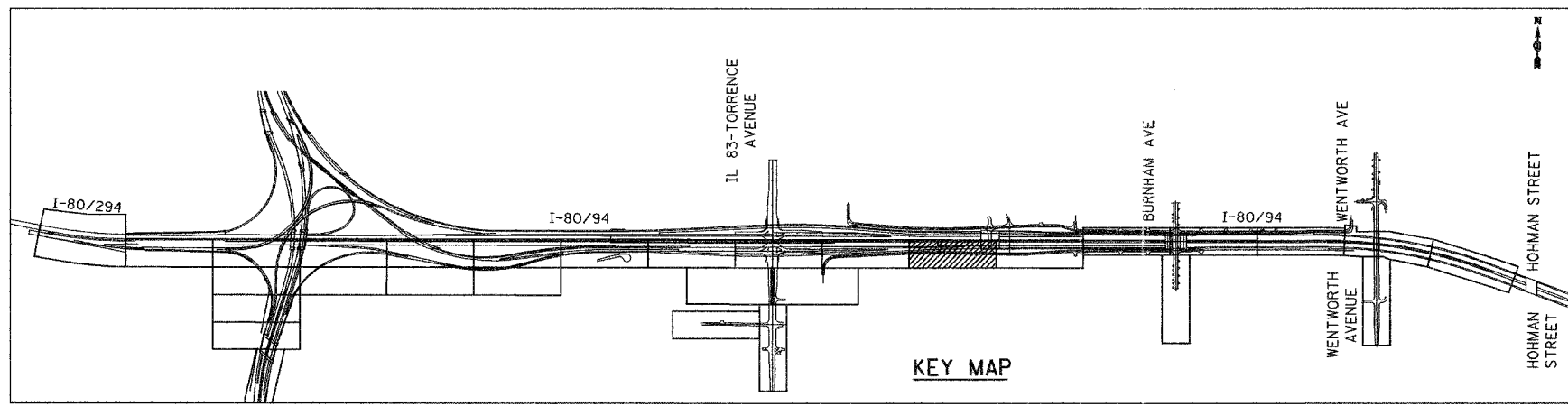
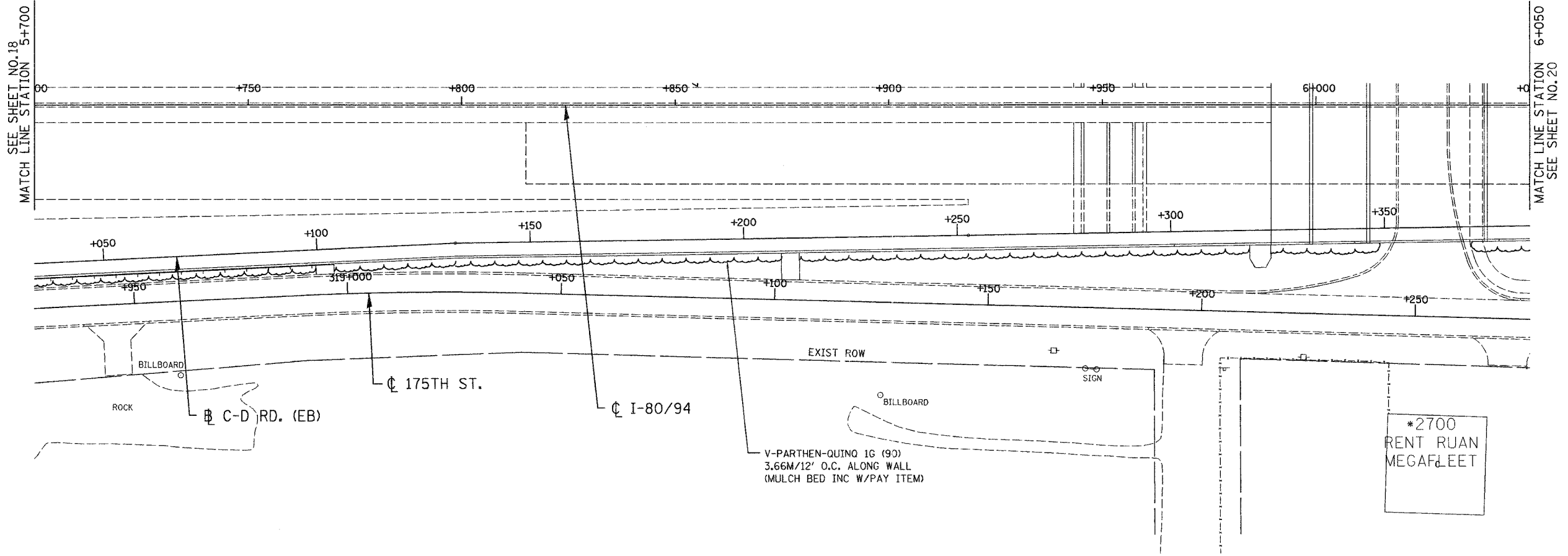


ALL DIMENSIONS IN METERS EXCEPT PAY ITEMS AND UNLESS NOTED OTHERWISE

F.A.I. RTE.	SECTION	COUNTY	TOTAL SHEETS	SHEET NO.
80/94	2007-031LS	COOK	51	19
STA.	TO STA.			
FED. ROAD DIST. NO.	ILLINOIS	FED. AID PROJECT		
CONTRACT NO. 60D14				



LSM - 11

ILLINOIS DEPARTMENT OF TRANSPORTATION
 I-80/94/US 6
 KINGERY-BORMAN EXPRESSWAY
 BURNHAM ROAD TO US 41
LANDSCAPING PLAN
 KINGERY EXPRESSWAY I-8094

SCALE 1:500
 DATE 06/07

DRAWN BY ACE/CAD
 CHECKED BY TJW

REVISIONS	
NAME	DATE

06/26/2007
 10:47:57 AM
 g:\Project\2004\890\CADD\Contract\EB\LS_T1.rds