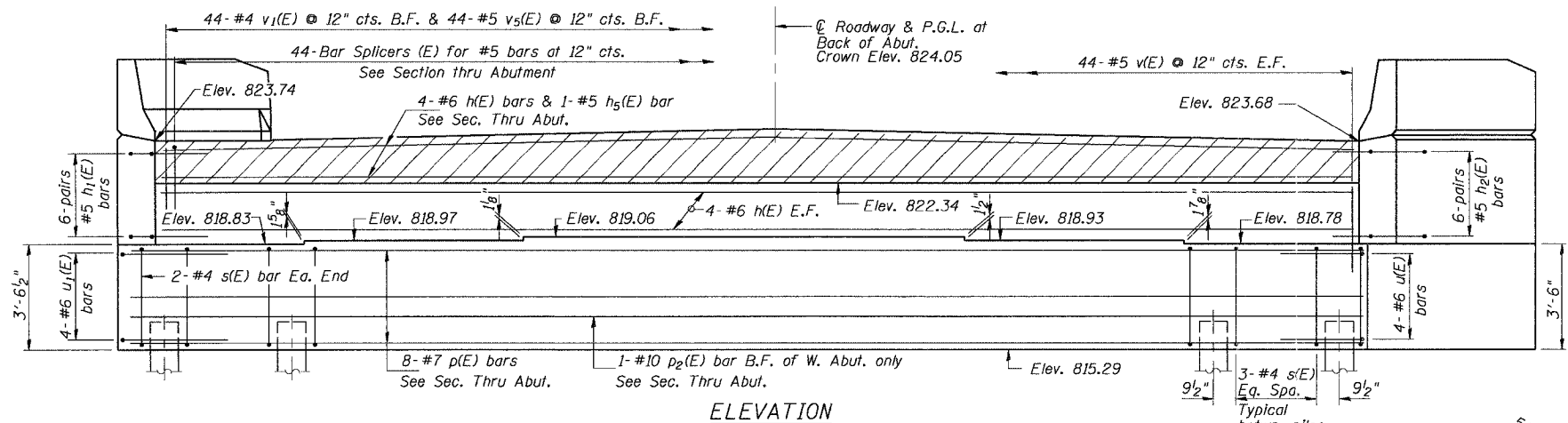


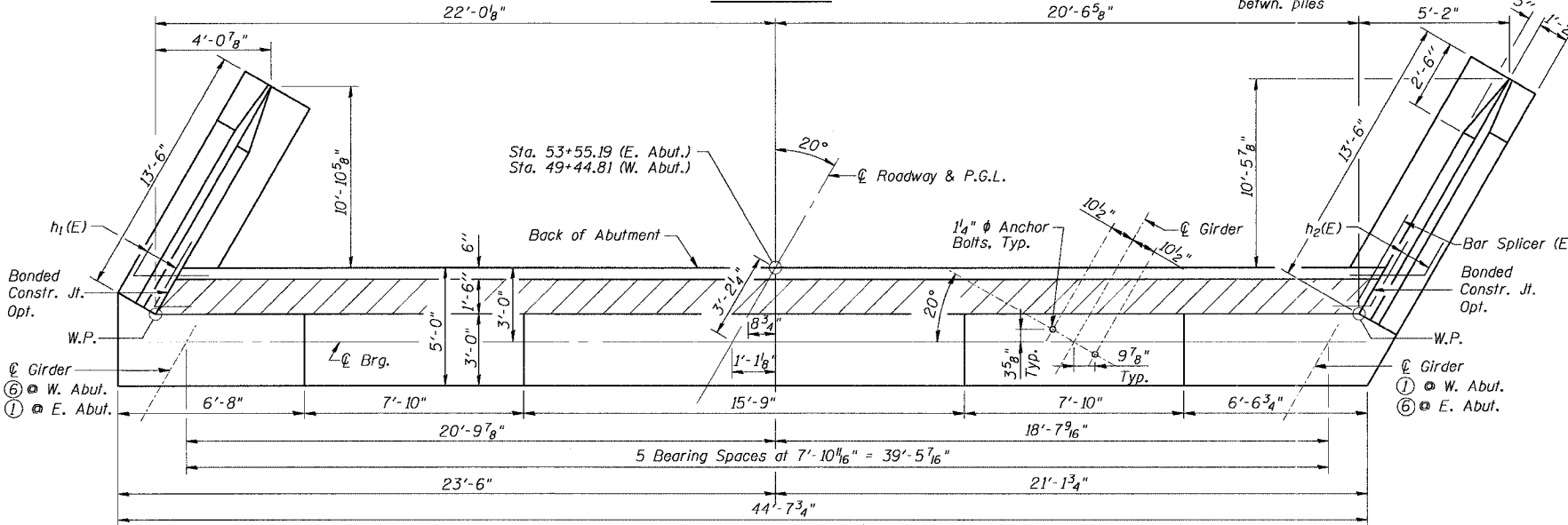
ROUTE NO.	SECTION	COUNTY	TOTAL SHEETS	SHEET NO.
533	11 R-1-1-1	McHenry	19	15
FED. ROAD DIST. XXXX		BALANCE	FED. AID PROJECT	

Contract #60D29

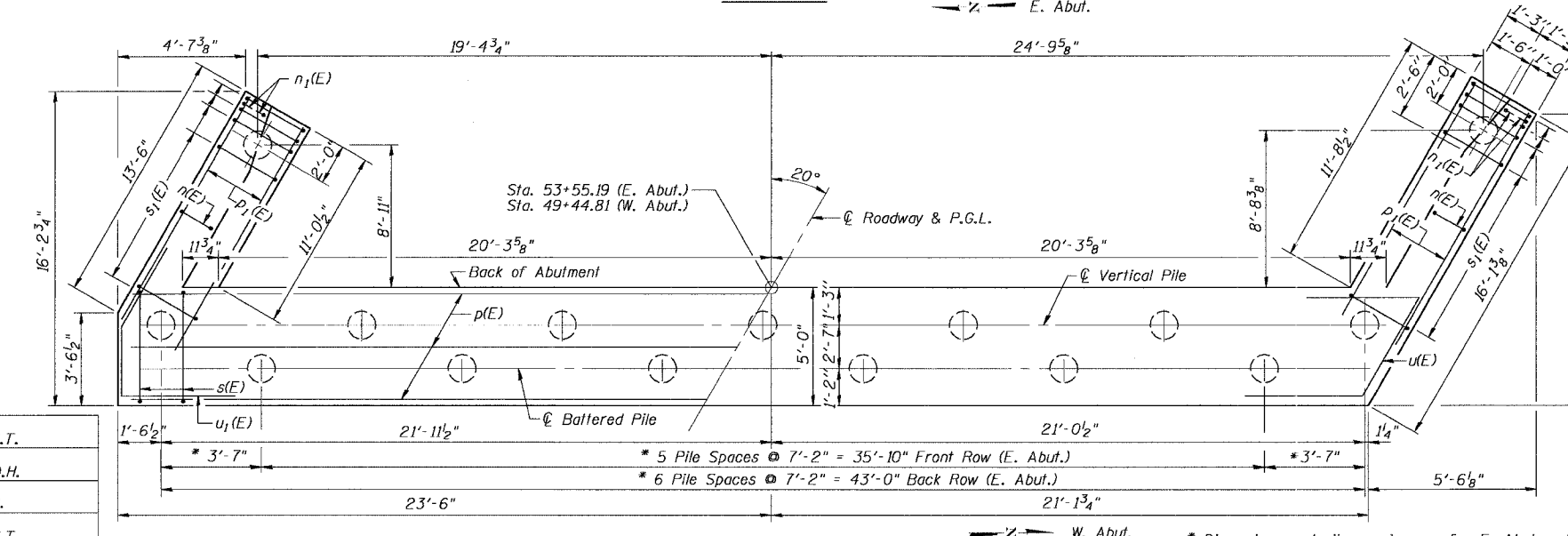
SHEET NO. 13 OF 17 SHEETS



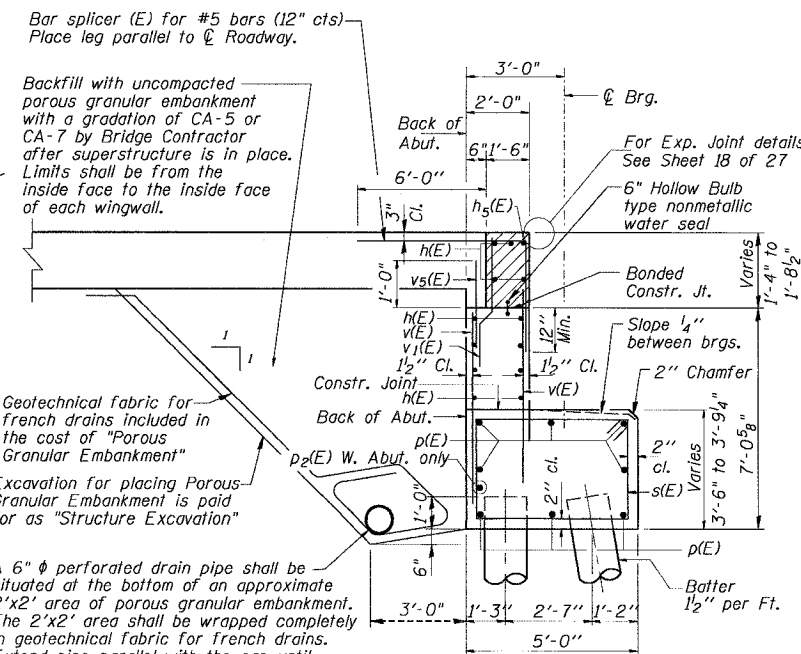
ELEVATION



TOP VIEW



PLAN-PILE CAP



SECTION THRU ABUT.

Backfill with uncompacted porous granular embankment with a gradation of CA-5 or CA-7 by Bridge Contractor after superstructure is in place. Limits shall be from the inside face to the inside face of each wingwall.

Geotechnical fabric for French drains included in the cost of "Porous Granular Embankment"

Excavation for placing Porous Granular Embankment is paid for as "Structure Excavation"

A 6"  $\phi$  perforated drain pipe shall be situated at the bottom of an approximate 2'x2' area of porous granular embankment. The 2'x2' area shall be wrapped completely in geotechnical fabric for french drains. Extend pipe parallel with the cap until intersecting with the sideslope. Pipes shall drain onto concrete headwalls (Article 601.05 of the Standard Specifications and Highway Standard 60110). Included in the cost of "Porous Granular Embankment".

- Notes:
1. Hatched area to be poured after superstructure forms have been removed. Quantity of concrete included with Concrete Superstructure. For additional details of reinforcement bars at hatched area, see Section A-A on Sheet 7 of 27.
  2. Space reinforcement in cap to miss anchor bolts.
  3. Pour steps monolithically with cap.
  4. For anchor rods at W Abut., See Partial Plan & Section A-A on Sheet 12 of 27.

FOR INFORMATION ONLY

**PILE DATA**

Type: 14" Metal Shell Pile  
Capacity: 50 Tons  
Est. Length: 79 Ft. @ E. Abut.  
55 Ft. @ W. Abut.  
No. Required: 14 + 1 Test Pile @ E. Abut.  
14 + 1 Test Pile @ W. Abut.

**WEST & EAST ABUTMENTS**

IL Route 176 over  
South Branch of the Kishwaukee River  
F.A.P. RTE 533, SECTION 11 R-1-1-1  
McHENRY COUNTY  
STATION 51+50.00  
DATE: 06-29-07 S.N. 056-0071  
GRAEF, ANHALT, SCHLOEMER & ASSOCIATES INC  
CHICAGO ILLINOIS

NS:\jhp2005\p101\South Branch Steel\176-Abut.dgn  
6/28/2007 10:00 AM  
2:57:52 PM

DESIGNED	S.S.T.
CHECKED	S.D.H.
DRAWN	E.B.
CHECKED	S.S.T.