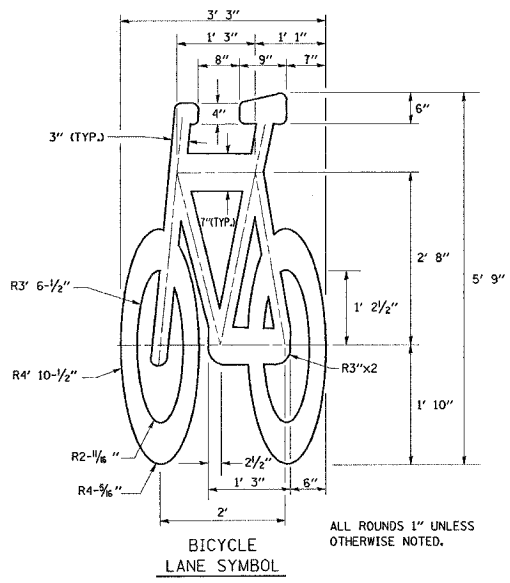
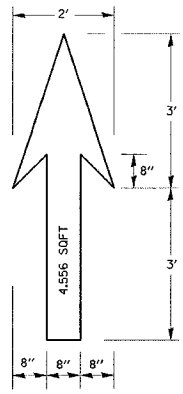
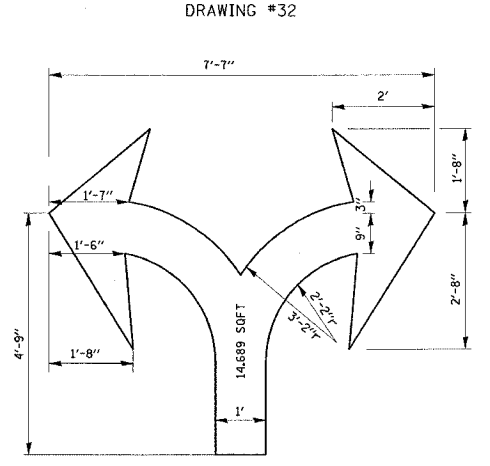
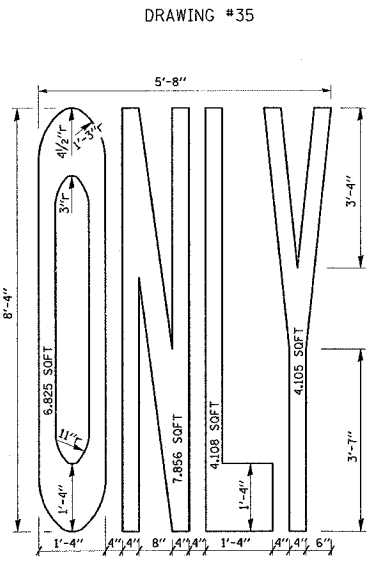
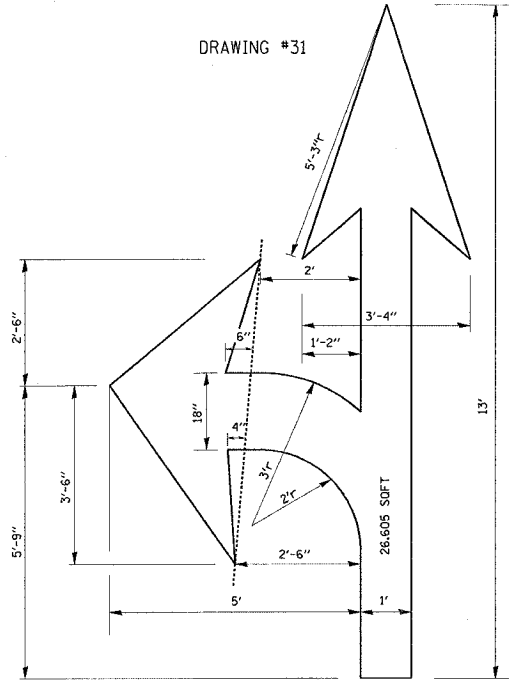
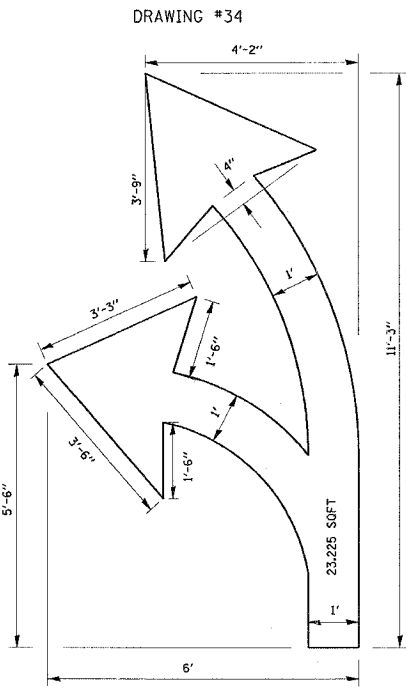
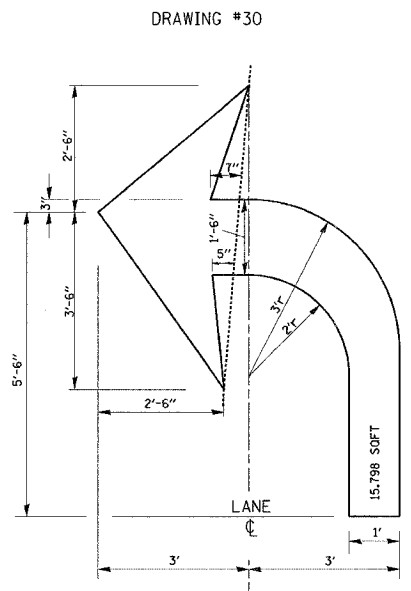
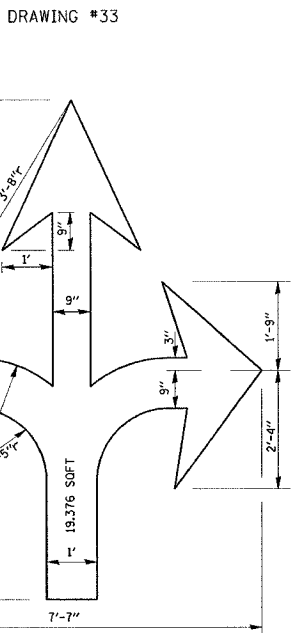
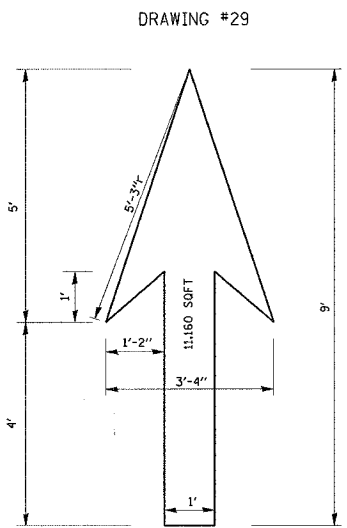


CONTRACT NO. 62322				
F.A.U. RTE.	SECTION	COUNTY	TOTAL SHEETS	SHEET NO.
352B	2001-143RS	COOK	19	19
STA.		TO STA.		
FED. ROAD DIST. NO.		ILLINOIS FED. AID PROJECT		



NOTE:
 1.) FOR BIKE LANE SYMBOLS ONLY, USE PRE-FORMED THERMOPLASTIC WITH A MINIMUM THICKNESS OF 90 MILS, MINIMUM SKID RESISTANCE VALUE OF 60 BPN, & A MINIMUM INDEX OF REFRACTION OF 1.50.
 2.) THE RESIDENT ENGINEER SHALL CONTACT MR. BEN GOMBERG AT 312-744-8093 AT LEAST ONE CALENDAR WEEK PRIOR TO INSTALLING BIKE LANE SYMBOLS.

TYPICAL BIKE LANE SYMBOLS
DRAWING #28



NOTE:
 ALL MARKINGS SHALL BE SOLID WHITE UNLESS OTHERWISE NOTED IN THE PLANS

REVISIONS	
NAME	DATE
T. RAMMACHER	12/07/00

ILLINOIS DEPARTMENT OF TRANSPORTATION
 CITY OF CHICAGO
 TYPICAL PAVEMENT MARKINGS

SCALE: NONE

DRAWN BY
 CHECKED BY
 TC-24

PLOT DATE = 7/23/2007
 FILE NAME = C:\Documents and Settings\qureshaya\Desktop\Ellison Ave. - 62322\ts24.dgn
 PLOT SCALE = 50.0000 / IN.
 USER NAME = qureshaya