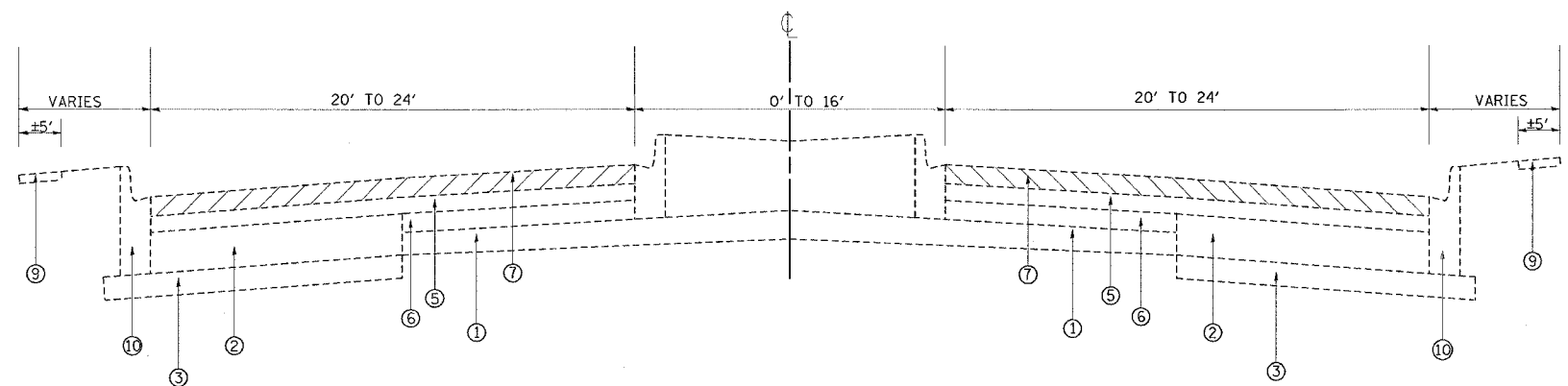
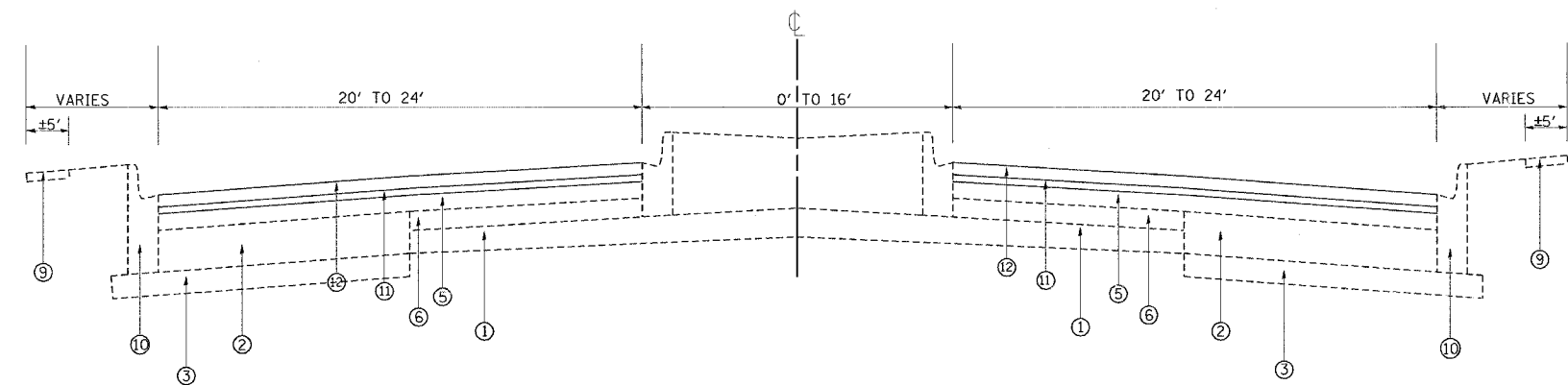


F.A.U. RTE.	SECTION	COUNTY	TOTAL SHEET NO.
2845	3152 WRS	COOK	195 15
STA.		TO STA.	
FED. ROAD DIST. NO.		ILLINOIS FED. AID PROJECT	



EXISTING TYPICAL SECTION
STA. 219+10 TO STA. 14+10



PROPOSED TYPICAL SECTION
STA. 219+10 TO STA. 14+10

LEGEND

- ① EXISTING P.C.C. PAVEMENT (7"-9")
- ② EXISTING PCC WIDENING (7")
- ③ EXISTING AGGREGATE SUBGRADE
- ④ EXISTING STABILIZED MEDIAN TO BE REMOVED
- ⑤ EXISTING HMA. AFTER MILLING SURFACE
- ⑥ EXISTING HMA. BASE COURSE
- ⑦ PROP. HOT-MIX ASPHALT SURFACE REMOVAL, 2 1/2"
- ⑧ EXISTING CURB & GUTTER TO BE REMOVED
- ⑨ EXISTING SIDEWALK
- ⑩ EXISTING CURB & GUTTER, TYPE B-6.24
- ⑪ PROP. POLYMERIZED LEVELING BINDER (MM), IL-4.75, N50, 3/4"
- ⑫ PROP. POLYMERIZED HOT-MIX ASPHALT SURFACE COURSE, MIX "F", N90, 1 3/4"
- ⑬ PROP. AGGREGATE SUBGRADE, 12"
- ⑭ PROP. POLYMERIZED HOT-MIX ASPHALT BINDER COURSE, IL-19, N90, 12 1/2" (4" LIFTS)
- ⑮ PROP. CURB & GUTTER, TYPE B-6.24
- ⑯ PROP. HOT-MIX ASPHALT BINDER COURSE, IL-19, N50, 2 1/4"
- ⑰ PROP. HOT-MIX ASPHALT BASE COURSE, 8"
- ⑱ PROP. PCC SIDEWALK, 5" VARIOUS LOCATIONS, SEE PLANS FOR DETAILS
- ⑲ PROP. HOT-MIX ASPHALT SURFACE COURSE, MIX "C", N50, 1 1/2"
- ⑳ PROP. PGES 12"
- ㉑ PROP PIPE UNDERDRAINS 6"

PLOT DATE = 6/29/2007
 FILE NAME = c:\projects\14469\design\adgn
 PLOT SCALE = 50.0000 / 1" = 50'
 USER NAME = emaris

REVISIONS	
NAME	DATE

ILLINOIS DEPARTMENT OF TRANSPORTATION

**WESTERN AVE.
(16TH ST. TO STEGER.)
EXISTING AND PROPOSED
TYPICAL SECTION**

SCALE: VERT. NONE
HORIZ. DATE DRAWN BY CHECKED BY