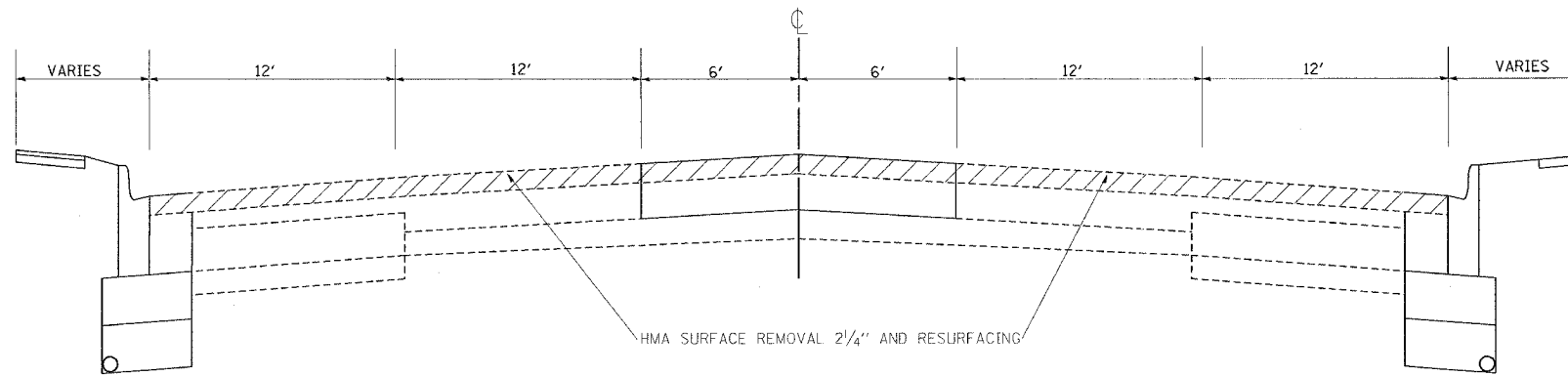


62742

CONTRACT NO.

F.A.J.U. RTE.	SECTION	COUNTY	TOTAL SHEETS	SHEET NO.
2845	3152 WRS	COOK	195	20
STA.		TO STA.		
FED. ROAD DIST. NO.	ILLINOIS	FED. AID PROJECT		



HMA SURFACE REMOVAL 2 1/4" AND RESURFACING

STAGE III

SUGGESTED TRAFFIC CONTROL & PROTECTION
USE FLAGGERS ONLY.

CONSTRUCTION
MILLING & RESURFACING.

PLOT DATE = 6/29/2007
FILE NAME = c:\projects\14619\design.dwg
PLOT SCALE = 50:2000 / IN
USER NAME = anbars

REVISIONS		ILLINOIS DEPARTMENT OF TRANSPORTATION
NAME	DATE	
WESTERN AVE. (16TH ST. TO STEGER.) STAGE III & SUGGESTED TRAFFIC CONTROL		SCALE: VERT. HORIZ. DATE
		DRAWN BY CHECKED BY