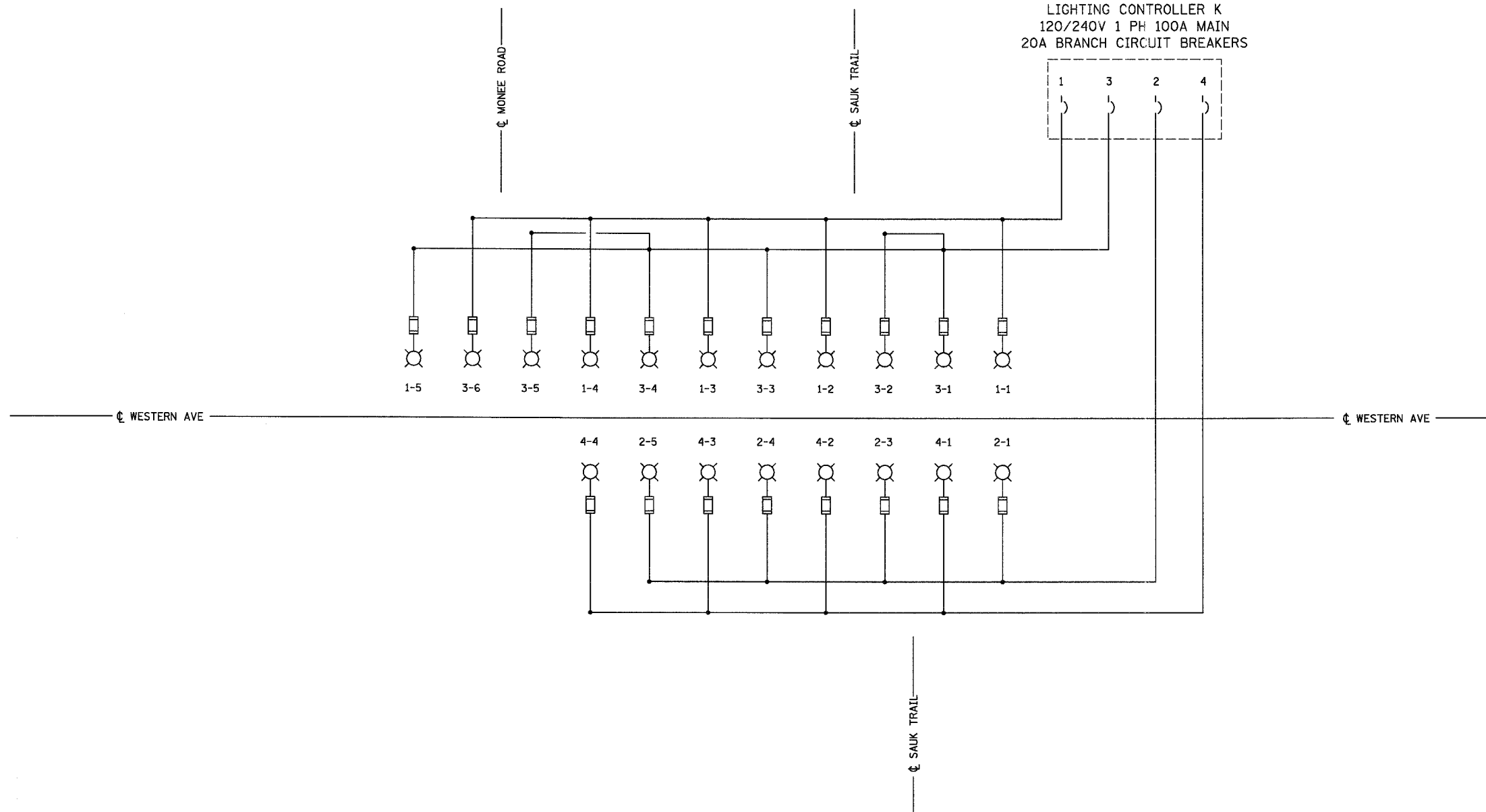


F.A. RTE.	SECTION	COUNTY	TOTAL SHEETS	SHEET NO.
2845	3152 WRS	COOK	195	143
STA. -		TO STA. -		
FED. ROAD DIST. NO. 1		ILLINOIS	FED. AID PROJECT	

LIGHTING CONTROLLER K
120/240V 1 PH 100A MAIN
20A BRANCH CIRCUIT BREAKERS



SINGLE LINE LEGEND

- LUMINAIRE, 250 W HPS
- FUSE, 5A UNLESS OTHERWISE INDICATED
- CIRCUIT BREAKER
- 3 1/C #6 & 1/C #6 GND
- CONNECTION

LOAD TABULATION CONTROLLER K	
CIRCUIT	LOAD (WATTS)
K-1	1680
K-2	1848
K-3	2016
K-4	1344

EPSTEIN
A. EPSTEIN AND SONS INTERNATIONAL, INC.
400 WEST FULTON STREET, CHICAGO, ILLINOIS 60611-1996
T: 312-464-9100 F: 312-659-1217 www.epstein-il.com
CHICAGO LOS ANGELES TEL AVIV WARSAW BUCHAREST

REVISIONS	
NAME	DATE

ILLINOIS DEPARTMENT OF TRANSPORTATION

WESTERN AVE.
ONE LINE DIAGRAM
CONTROLLER K

SCALE: N.T.S. DATE: 1/7/07
DRAWN BY: A.P.
CHECKED BY: G.A.O.

PLOT DATE = 8/12/07
FILE NAME = #TITLE#
PLOT SCALE = #SCALE#
USER NAME = #USER#