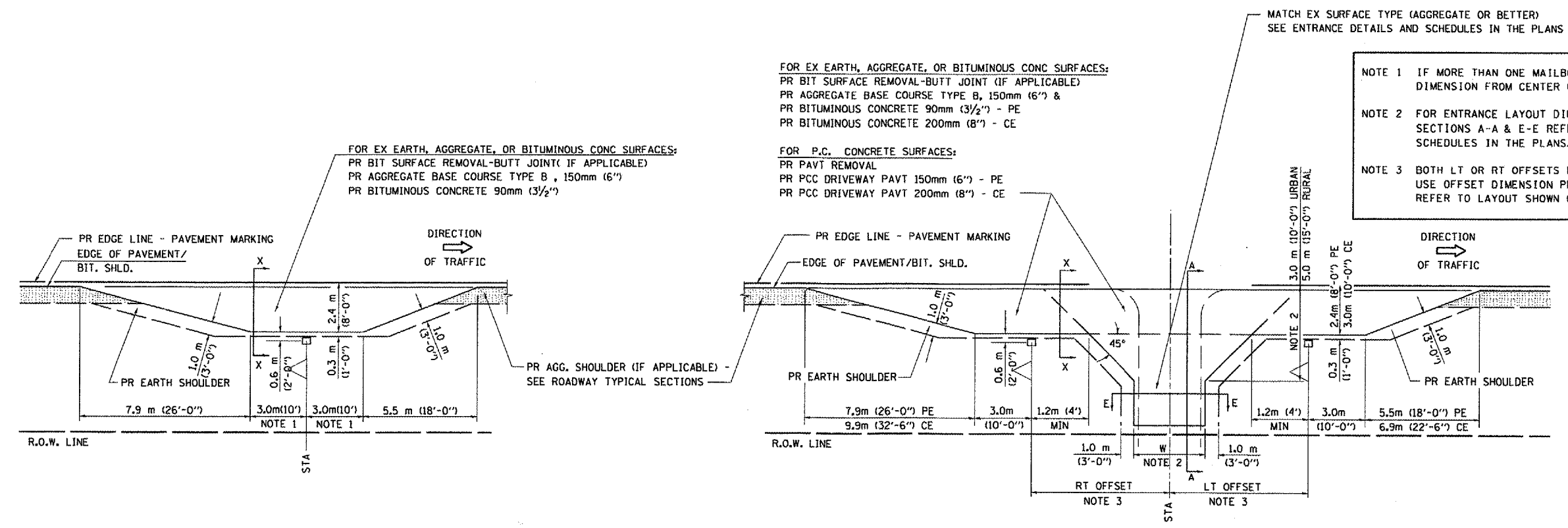


**DETAILS OF MAILBOX TURNOUTS**



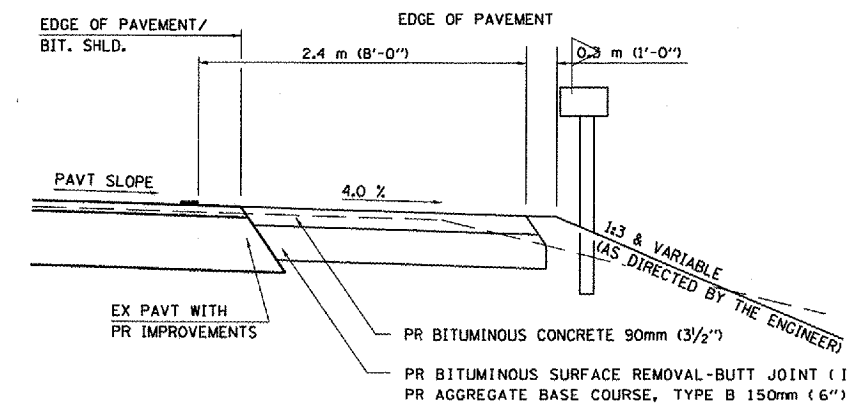
FOR EX EARTH, AGGREGATE, OR BITUMINOUS CONC SURFACES:  
 PR BIT SURFACE REMOVAL-BUTT JOINT (IF APPLICABLE)  
 PR AGGREGATE BASE COURSE TYPE B, 150mm (6") &  
 PR BITUMINOUS CONCRETE 90mm (3 1/2") - PE  
 PR BITUMINOUS CONCRETE 200mm (8") - CE

FOR P.C. CONCRETE SURFACES:  
 PR PAVT REMOVAL  
 PR PCC DRIVEWAY PAVT 150mm (6") - PE  
 PR PCC DRIVEWAY PAVT 200mm (8") - CE

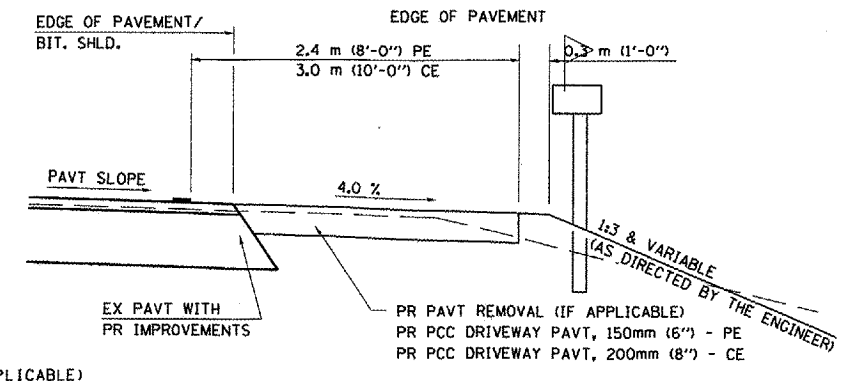
- NOTE 1 IF MORE THAN ONE MAILBOX IS PRESENT, DIMENSION FROM CENTER OF END MAILBOX.
- NOTE 2 FOR ENTRANCE LAYOUT DIMENSIONS AND SECTIONS A-A & E-E REFER TO THE SCHEDULES IN THE PLANS.
- NOTE 3 BOTH LT OR RT OFFSETS FOR MAILBOX SHOWN USE OFFSET DIMENSION PER SCHEDULE AND REFER TO LAYOUT SHOWN ON THE PLAN.

**PLAN - MAILBOX TURNOUTS**

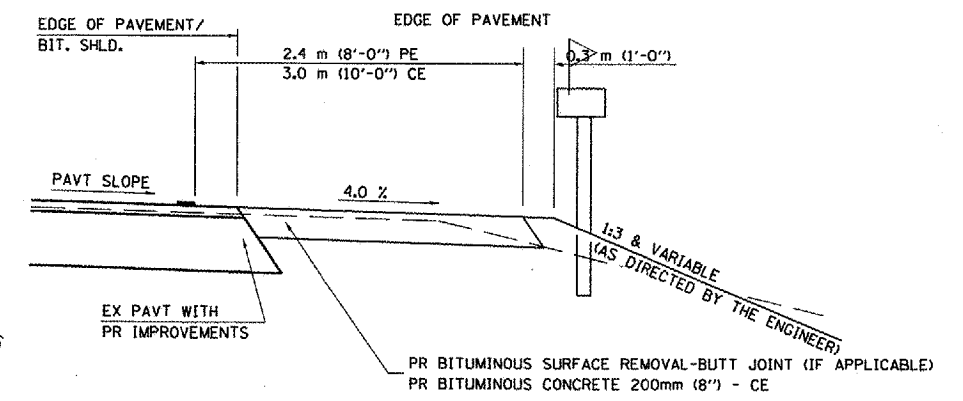
**PLAN - COMBINED MAILBOX TURNOUT WITH TRAILING OR LEADING ENTRANCE**



**SECTION X-X THRU MAILBOX TURNOUT  
 ALSO APPLIES TO MAILBOX TURNOUTS COMBINED WITH  
 EX EARTH, AGGREGATE, OR BITUMINOUS PE & FE**



**SECTION X-X THRU MAILBOX TURNOUT  
 COMBINED WITH EX CONC PE OR CE**



**SECTION X-X THRU MAILBOX TURNOUT  
 COMBINED WITH EX EARTH, AGGREGATE, OR BITUMINOUS CE**

PLOT DATE = 7/2/2007  
 FILE NAME = c:\p\projects\153(28(22-1))\morg40\153(28(22-1))\ent3r.dgn  
 PLOT SCALE = 42.3528 / IN.  
 USER NAME = laughton-1

ENT 3R

Rev. 9-4-07

REVISIONS	
NAME	DATE
JCN	2/19/03
JCN	4/01/04