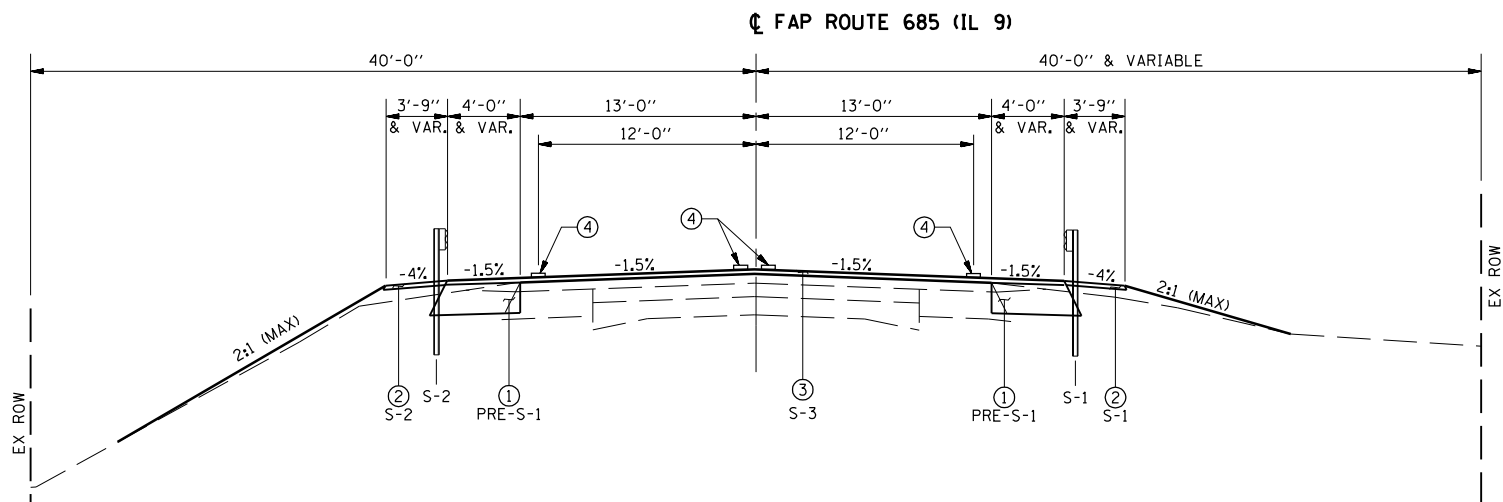


F.A.U. RTE.	SECTION	COUNTY	TOTAL SHEETS	SHEET NO.
685	115(BR-1)	HANCOCK	44	12
STA. 601+00.00		TO STA. 609+85.00		
FED. ROAD DIST. NO.		ILLINOIS	FED. AID PROJECT	

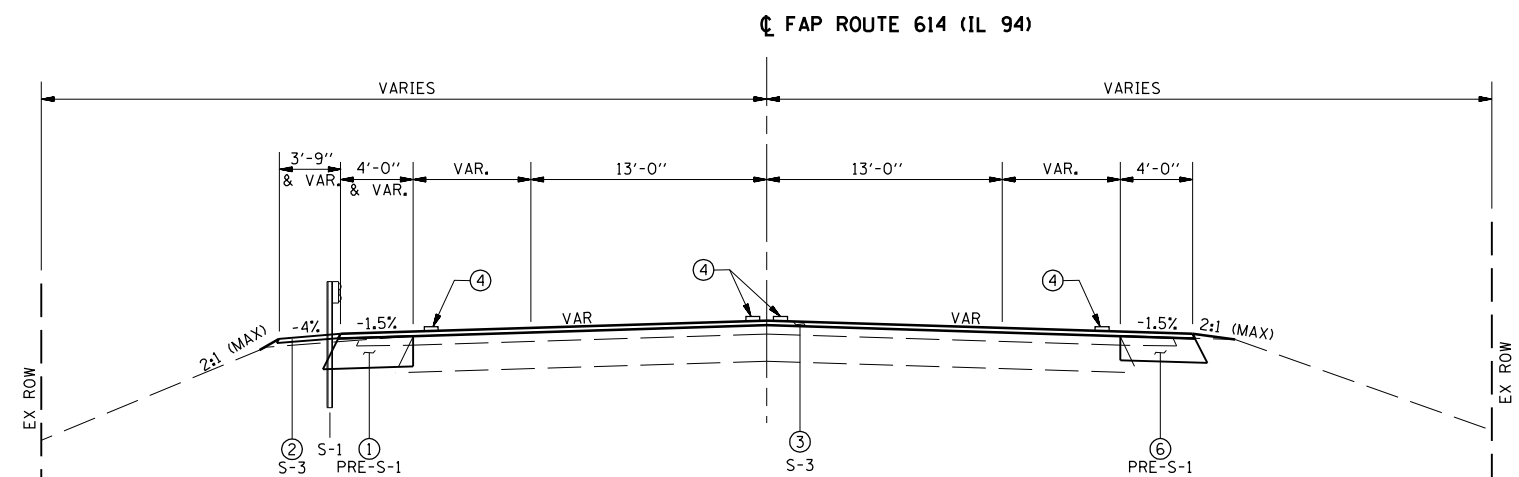


PROPOSED TYPICAL SECTION
 STA. 601+00.00 TO STA. 609+85.00
 BRIDGE/APPROACH OMISSION STA 606+68.54 TO STA 608+17.62

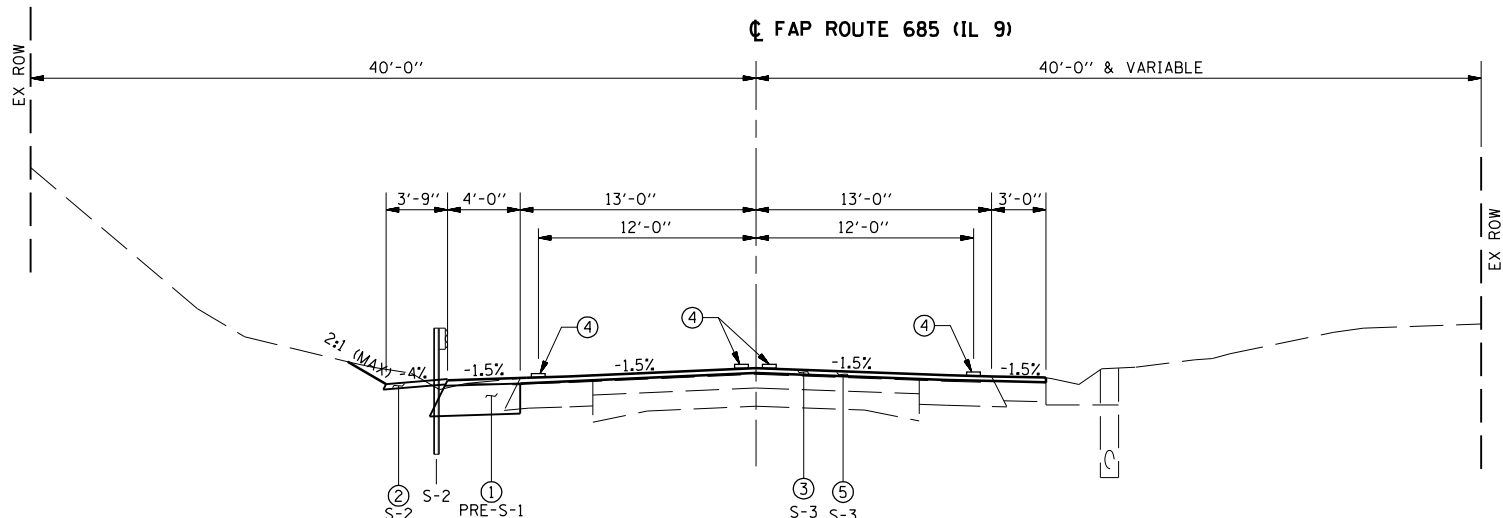
LEGEND

- ① PROPOSED HOT-MIX ASPHALT BASE COURSE WIDENING, 10"
- ② PROPOSED AGGREGATE SHOULDERS, TYPE B
- ③ PROPOSED HOT-MIX ASPHALT SURFACE COURSE, MIX "C", N50 (1 1/2")
- ④ PROPOSED PAINT PAVEMENT MARKING, LINE 5"
- ⑤ PROPOSED HOT-MIX ASPHALT SURFACE REMOVAL, 1 1/2"
- ⑥ PROPOSED HOT-MIX ASPHALT SHOULDERS (8")

NOTE:
 SEE PLAN VIEW FOR GUARDRAIL
 LOCATIONS AND SHOULDER TAPERS.



PROPOSED TYPICAL SECTION
 STA. 5+13.00 TO STA. 6+78.89 (BK ABUT)



PROPOSED TYPICAL SECTION
 STA 609+85.00 TO STA 611+20.00

REVISIONS	
NAME	DATE

ILLINOIS DEPARTMENT OF TRANSPORTATION
PROPOSED TYPICAL SECTIONS
 DRAWN BY JCW
 CHECKED BY JRB
 DATE: 05/02/07

PLOT DATE = 7/2/2007
 FILE NAME = c:\projects\685\1807\hutchison_fm\12447-9\081.dgn
 PLOT SCALE = 1/8"=1'-0"
 USER NAME = laughlin-1