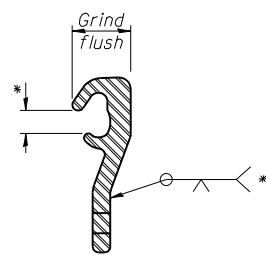
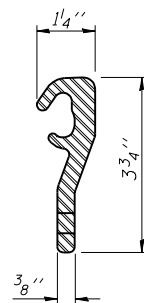


7/16" ϕ holes at 4'-0" cts. for 3/8" ϕ bolts. All bolts shall be burned, sawed, or chipped off flush with the plates after forms are removed, typ.

Place 1/2" ϕ x 6" granular or solid flux filled headed studs conforming to Article 1006.32 of the Std. Specs., automatically end welded at 1'-0" alt. cts.

SECTION THRU STRIP SEAL JOINT FOR OVERLAY OVER DECK BEAMS
Dimensions at Rt. L's



* Omit weld at seal opening.

LOCKING EDGE RAIL

LOCKING EDGE RAIL SPLICE

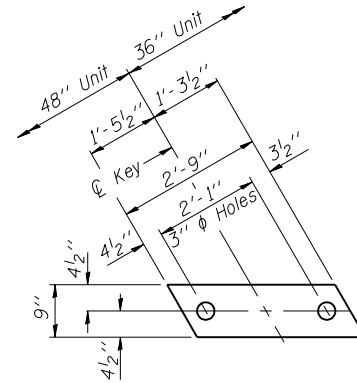
Notes:

The strip seal shall be made continuous and shall have a minimum thickness of 1/4". The configuration of the strip seal shall match the configuration of the Locking Edge Rails.

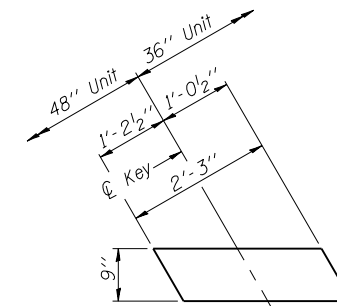
The height and thickness of the Locking Edge Rails shown are minimum dimensions. The actual configuration of the Locking Edge Rails and matching strip seal may vary from manufacturer to manufacturer. Flanged edge rails will not be allowed.

The inside of the Locking Edge Rail groove shall be free of weld residue. Locking Edge Rails may be spliced at slope discontinuities and stage construction joints.

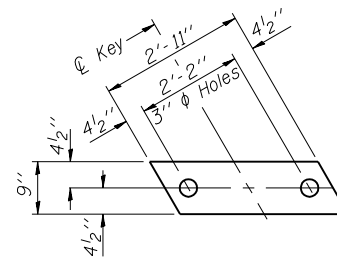
The manufacturer's recommended installation methods shall be followed.



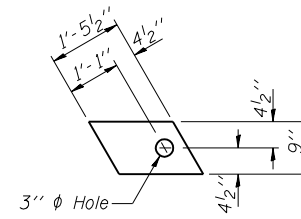
FABRIC BEARING PAD
(Interior - 48" & 36" Units)



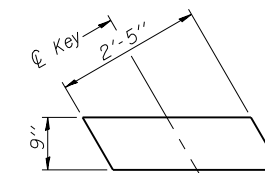
FABRIC BEARING PAD
(Interior - 48" & 36" Units)



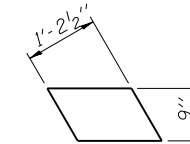
FABRIC BEARING PAD
(Interior - 48" Units)



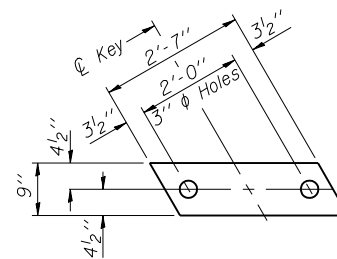
FABRIC BEARING PAD
(Exterior - 48" Units)



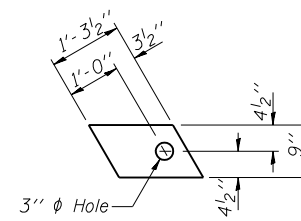
FABRIC BEARING PAD
(Interior - 48" Units)



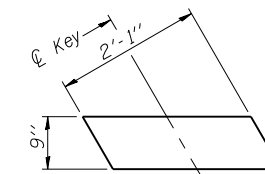
FABRIC BEARING PAD
(Exterior - 48" Units)



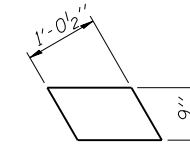
FABRIC BEARING PAD
(Interior - 36" Units)



FABRIC BEARING PAD
(Exterior - 36" Units)



FABRIC BEARING PAD
(Interior - 36" Units)



FABRIC BEARING PAD
(Exterior - 36" Units)

EXPANSION

FIXED

BILL OF MATERIAL

Item	Unit	Total
Preformed Joint Strip Seal	Foot	34.5

FILEABBREV\$

1:36:06 PM

7/2/2007

Lin Engineering, Ltd.
Consulting Engineers
Chatham, Illinois

Designed By: DLS
Checked By: MTH
Date: 04/2007

Drawn By: AUF
File: 034-0061.dgn

REVISIONS	
NAME	DATE

ILLINOIS DEPARTMENT OF TRANSPORTATION
SUPERSTRUCTURE DETAILS - 4
IL ROUTE 9 OVER
CAMP CREEK
F.A.P. ROUTE 685 - SECTION 115 BR-1
HANCOCK COUNTY
STA. 607+43.00
STRUCTURE NO. 034-0061