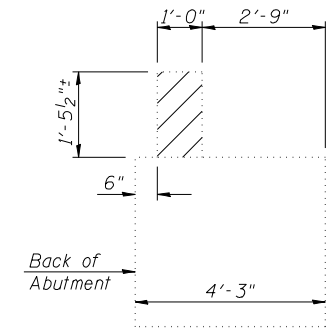
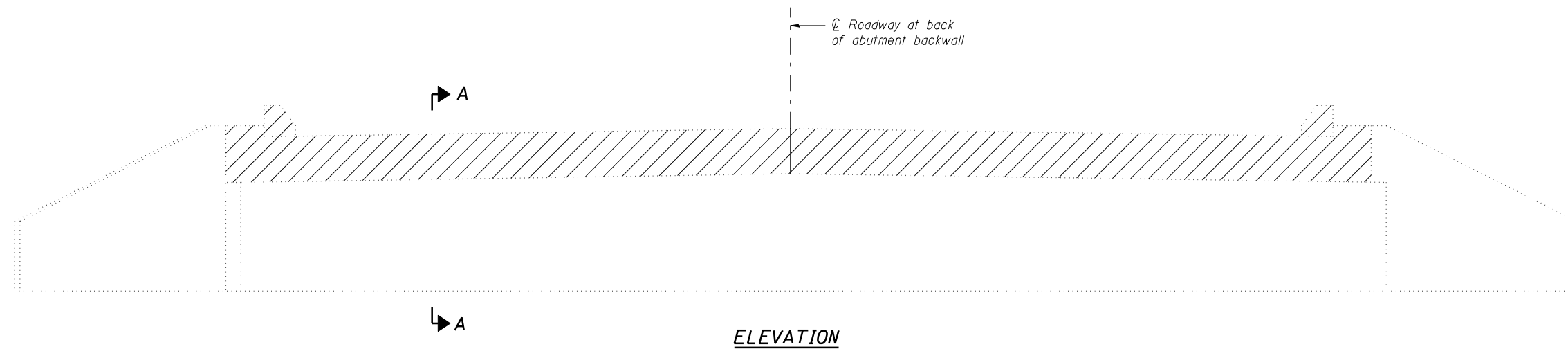
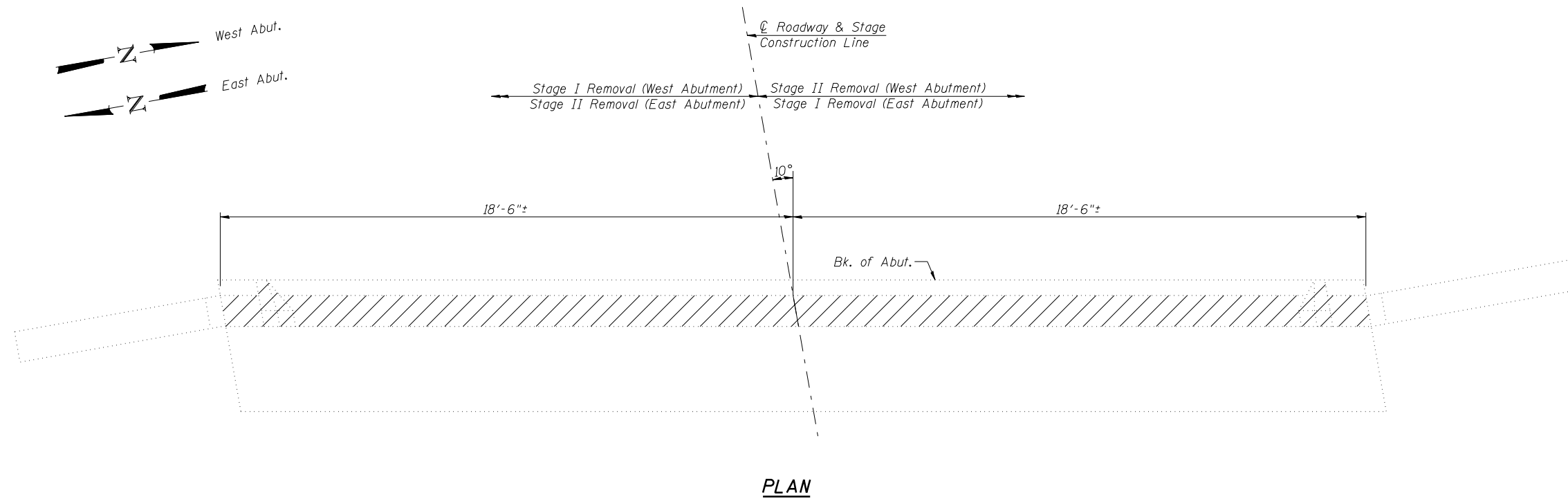


ROUTE NO.	SECTION	COUNTY	TOTAL SHEETS	SHEET NO.	SHEET NO. 10 17 SHEETS
F.A.P. 685	115 BR-1	HANCOCK	44	28	
FED. ROAD DIST. NO. 7	ILLINOIS	FED. AID PROJECT-			

Contract #72A90



**SECTION A-A**  
Dimensions at Rt. L's



**BILL OF MATERIAL**  
(2 Abutments)

Item	Unit	Quantity
Concrete Removal	Cu. Yd.	4.2

Notes:  
Hatched areas indicate Concrete Removal.  
Existing reinforcement shall be cleaned, straightened and incorporated into the new construction.

**LIN ENGINEERING, LTD.**  
Consulting Engineers  
Chatham, Illinois

Designed By: DLS    Checked By: MTH    Drawn By: AUF  
Date: 04/2007    File: 034-0061.dgn

REVISIONS	
NAME	DATE

ILLINOIS DEPARTMENT OF TRANSPORTATION  
**CONCRETE REMOVAL**  
IL ROUTE 9 OVER  
CAMP CREEK  
F.A.P. ROUTE 685 - SECTION 115 BR-1  
HANCOCK COUNTY  
STA. 607+43.00  
STRUCTURE NO. 034-0061

\$FILEABBREV\$

7/2/2007 1:36:12 PM

7/2/2007