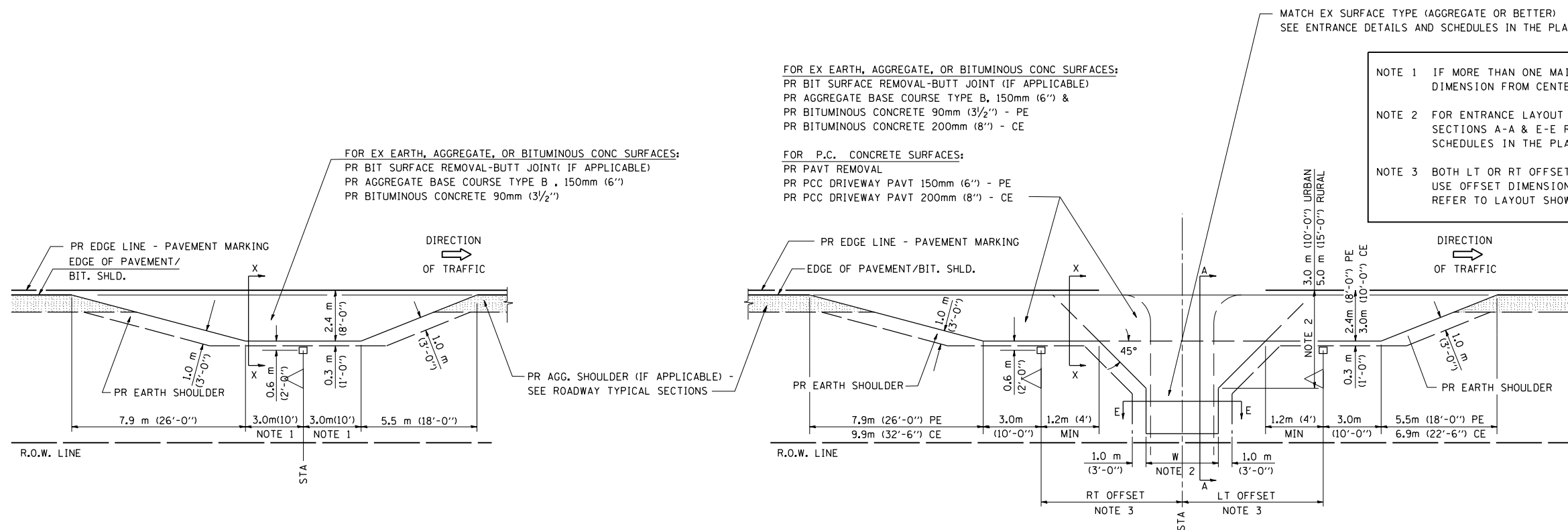


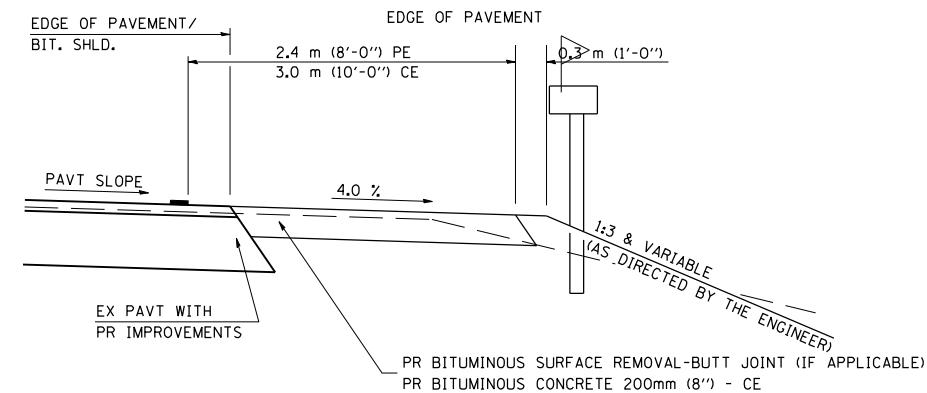
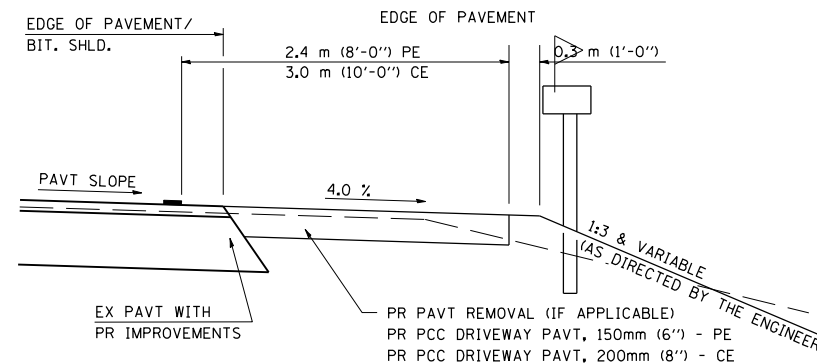
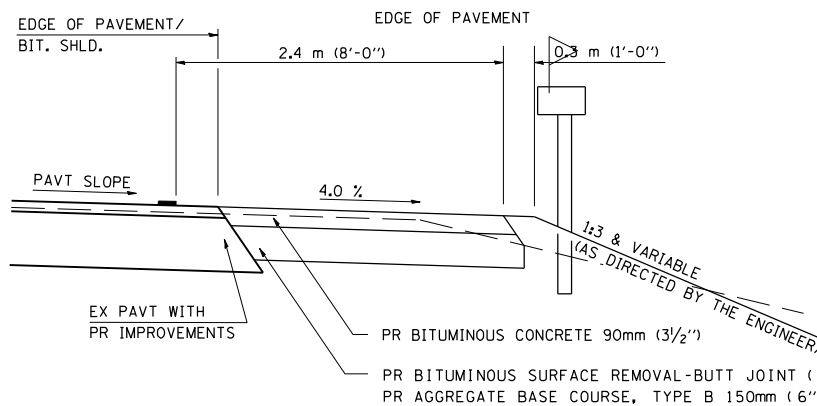
F.A.P. RTE.	SECTION	COUNTY	TOTAL SHEETS	SHEET NO.
685	115(BR-1)	HANCOCK	44	38
STA.		TO STA.		
FED. ROAD DIST. NO.	ILLINOIS	FED. AID PROJECT		

DETAILS OF MAILBOX TURNOUTS



PLAN - MAILBOX TURNOUTS

PLAN - COMBINED MAILBOX TURNOUT WITH TRAILING OR LEADING ENTRANCE



REVISIONS	
NAME	DATE
JCN	2/19/03
JCN	4/01/04

ILLINOIS DEPARTMENT OF TRANSPORTATION
DISTRICT SIX
DETAILS FOR RURAL / URBAN
ENTRANCE & MAILBOX TURNOUT
W / O CONCRETE GUTTER
(3R - PROJECTS)

SCALE: VERT. DRAWN BY CADD
 HORIZ. CHECKED BY JCN
 DATE: FEBRUARY 23, 1999