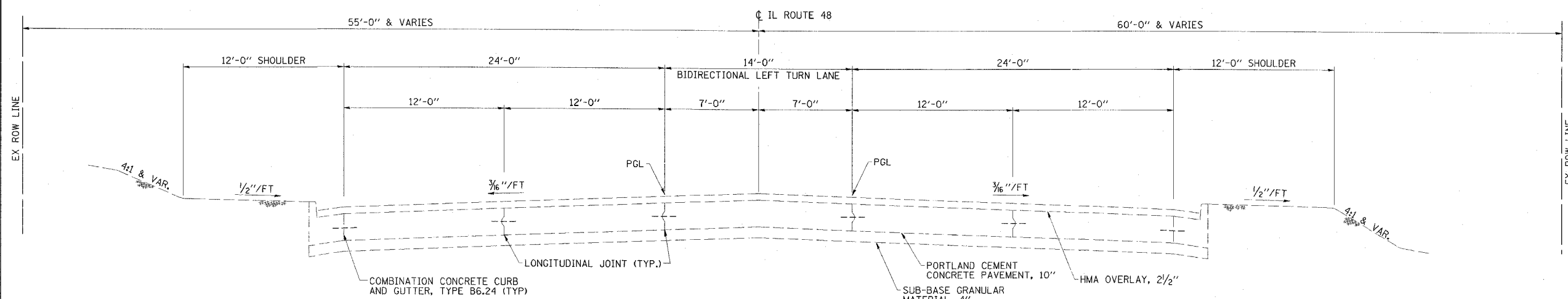




CONTRACT NO. 74166

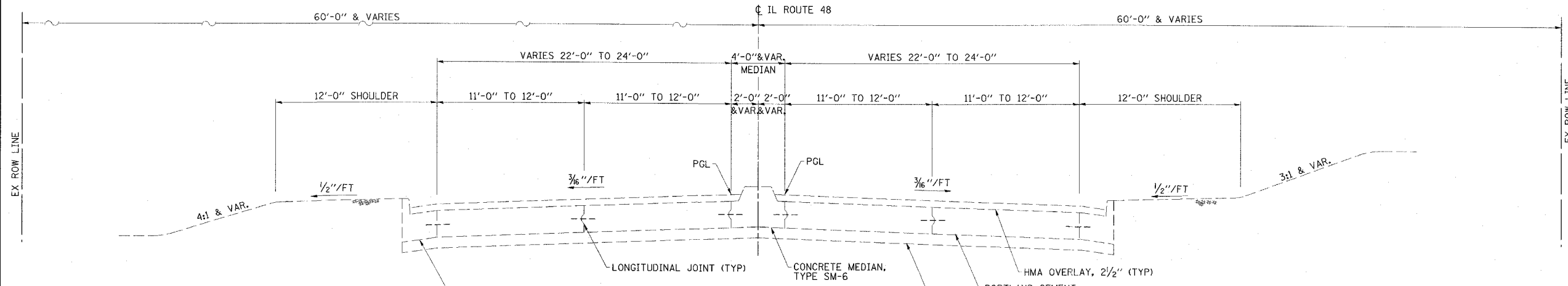
FAP RTE	SECTION	COUNTY	TOTAL SHEETS	SHEET NO.
716	(130BR-1)B-1	MACON	95	5
STA.		TO STA.		
FED. ROAD DIST. NO.		ILLINOIS	FED. AID PROJECT	



EXISTING TYPICAL CROSS SECTION

FAP 716 (IL ROUTE 48)

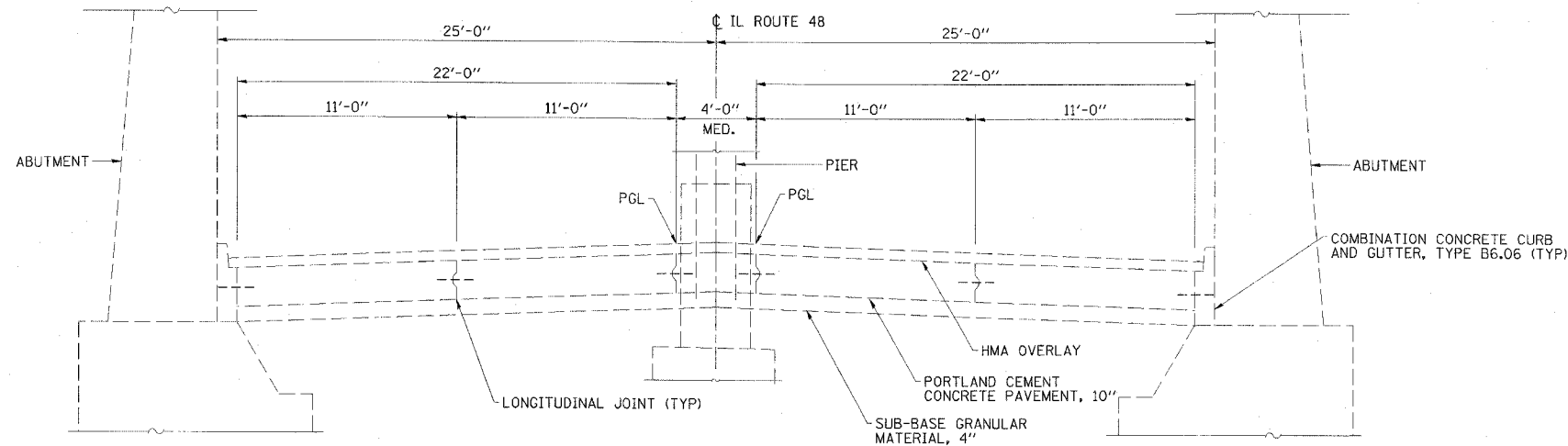
STA 126+50 TO STA 128+97.10 RT & TO STA 129+30.10 LT
STA 136+82.90 TO STA 145+00



EXISTING TYPICAL CROSS SECTION

FAP 716 (IL ROUTE 48)

STA 128+97.10 RT & STA 129+30.10 LT & TO STA 130+78.10
STA 132+85.10 TO STA 134+71.30



EXISTING TYPICAL CROSS SECTION

FAP 716 (IL ROUTE 48)

STA 130+78.10 TO STA 132+85.10

EXISTING TYPICAL SECTIONS
FAP ROUTE 716 (IL 48)
OAKLAND AVENUE
SECTION (130BR-1)B-1
MACON COUNTY

ESCA
CONSULTANTS, INC.

DESIGNED BY:	ELH	12/06
DRAWN BY:	HAG	12/06
CHECKED BY:	ELH	05/07
APPROVED BY:	RDP	05/07