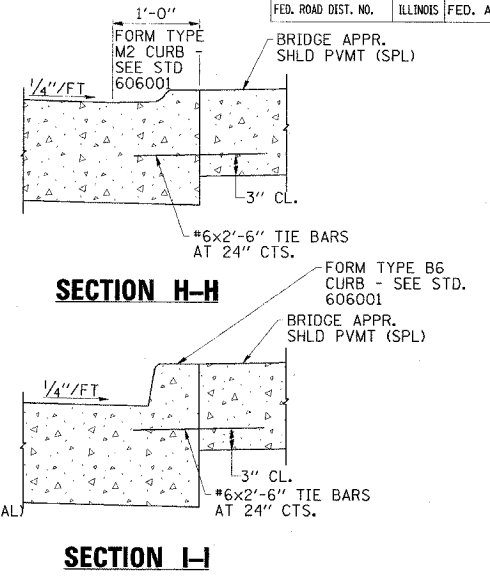
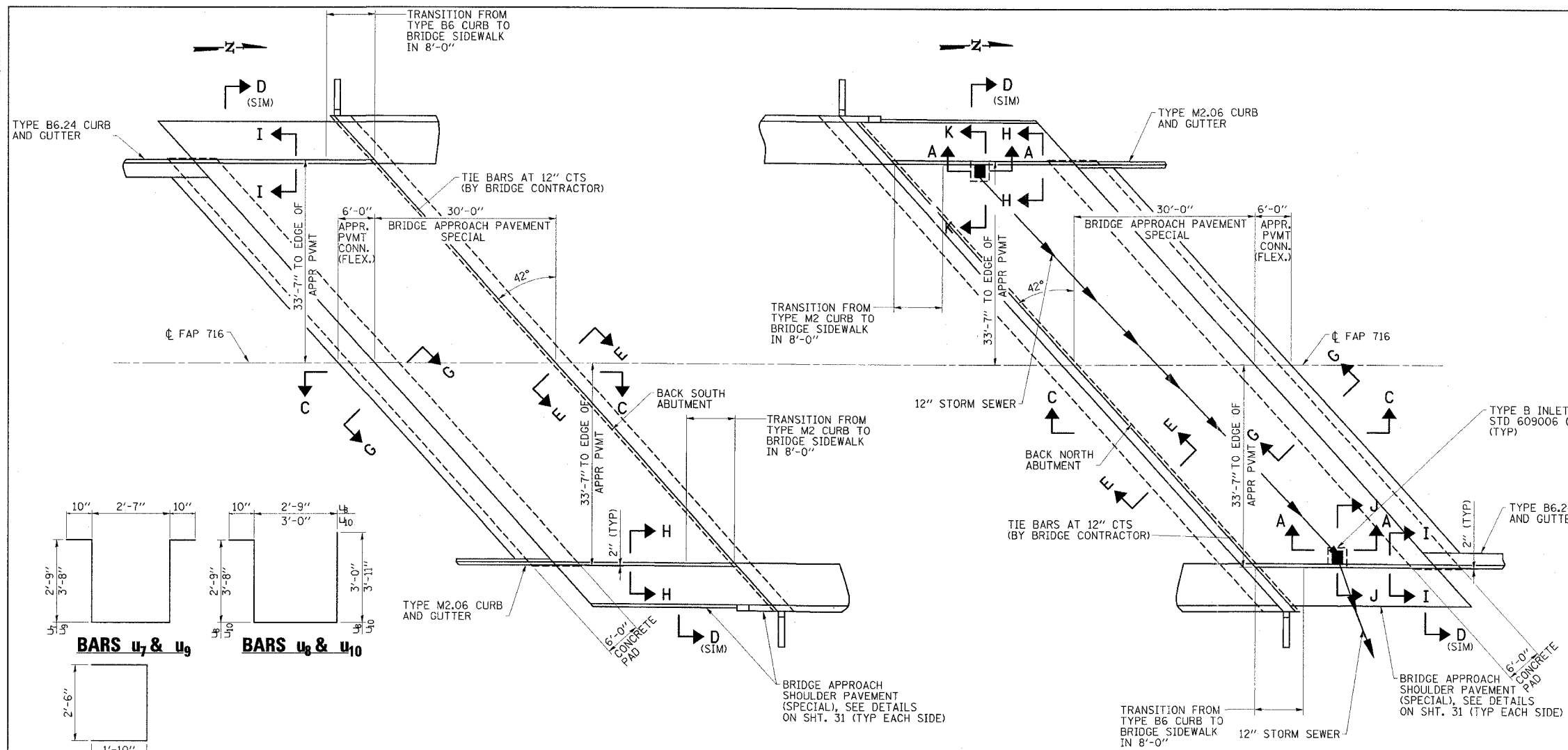




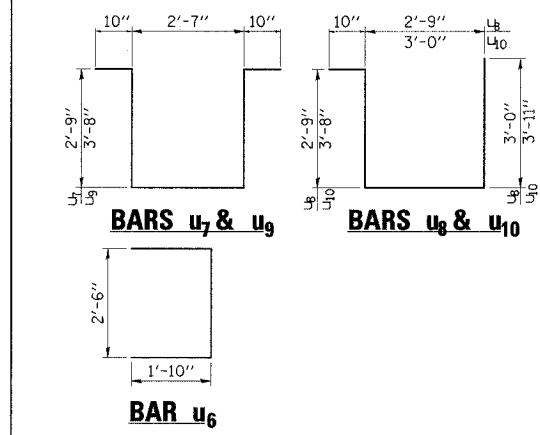
FAP RTE	SECTION	COUNTY	TOTAL SHEETS	SHEET NO.
716	(130BR-1)B-1	MACON	95	30
STA.		TO STA.		
FED. ROAD DIST. NO.		ILLINOIS	FED. AID PROJECT	



- NOTES**
1. SEE STANDARD 421001 FOR REINFORCEMENT DETAILS NOT SHOWN.
  2. SEE STANDARD 420001 FOR DETAILS OF JOINTS NOT SHOWN.
  3. SEE STANDARD 420401 FOR ADDITIONAL DETAILS AND FOR SECTIONS C-C, DISIM-DISIM, E-E, AND G-G.
  4. SEE STANDARD 609006 FOR INLET BOX AND DRAIN DETAILS NOT SHOWN. FIELD CUT INLET BOX REBAR TO CLEAR STORM SEWER.

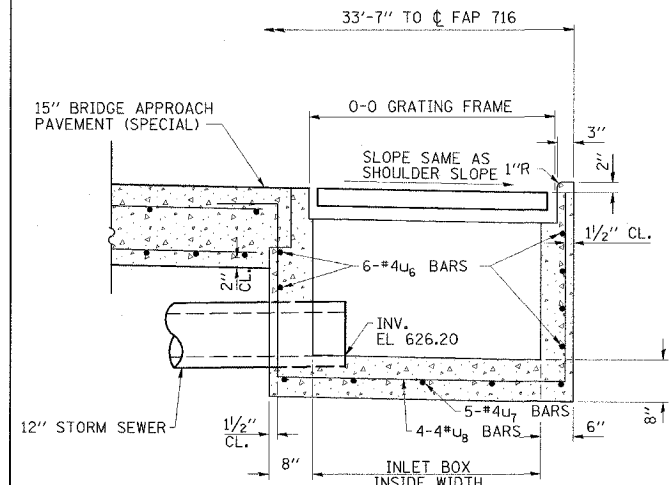
**INLET BOX TYPE B (SPECIAL) REQUIRED MATERIAL (TOTAL FOR BOTH BOXES)**

BAR	QUANTITY	SIZE	LENGTH
U <sub>6</sub>	12	#4	6'-2"
U <sub>7</sub>	5	#4	9'-9"
U <sub>8</sub>	4	#4	9'-4"
U <sub>9</sub>	5	#4	11'-7"
U <sub>10</sub>	4	#4	11'-5"
ITEM	UNITS	QUANTITY	
CONCRETE	CU YD	1.9	
REINF. BARS	POUND	180	
GRATING	SQ FT	7.2	

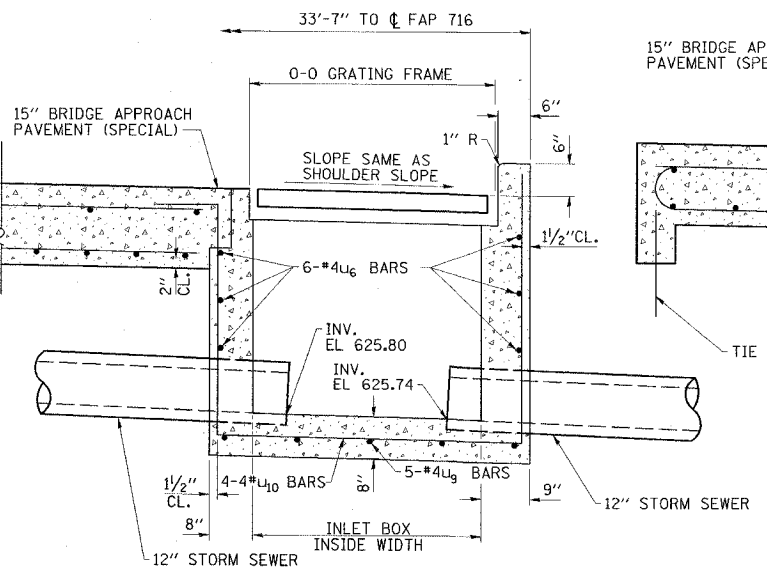


**SOUTH APPROACH PLAN**

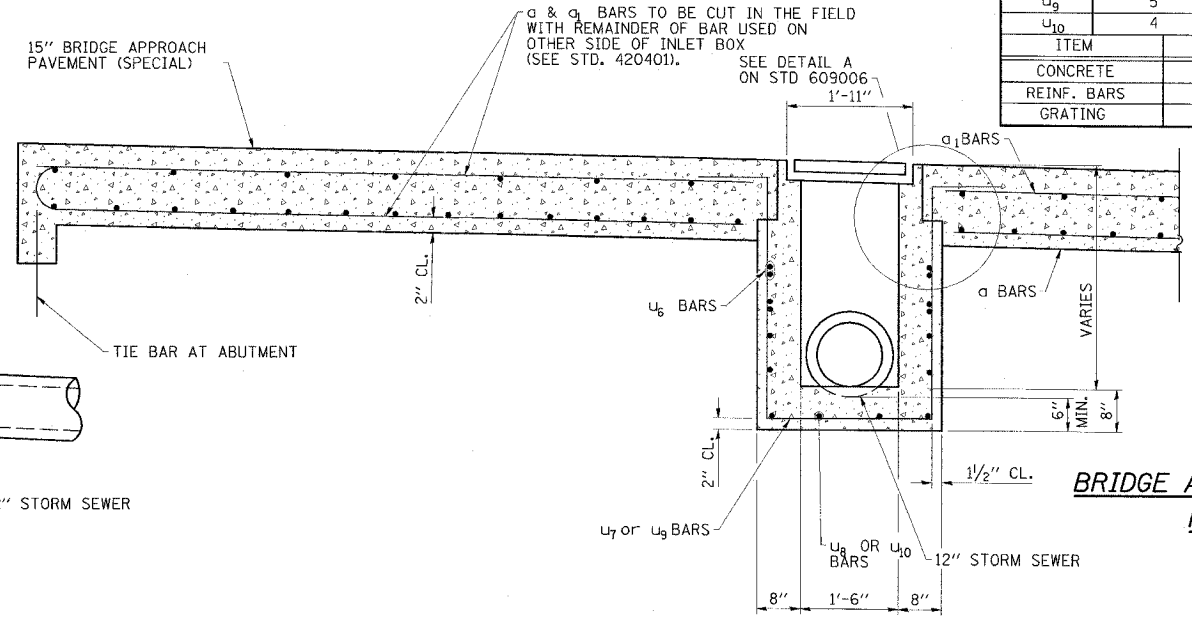
**NORTH APPROACH PLAN**



**SECTION K-K**



**SECTION J-J**



**SECTION A-A**

**ESCA CONSULTANTS, INC.**

DESIGNED BY: ELH 05/07  
 DRAWN BY: KAH 05/07  
 CHECKED BY: ELH 06/07  
 APPROVED BY: RDP 06/07

**BRIDGE APPROACH PAVEMENT (SPECIAL)**  
 FAP ROUTE 716 (IL 48)  
 OAKLAND AVENUE  
 SECTION (130BR-1)B-1  
 MACON COUNTY