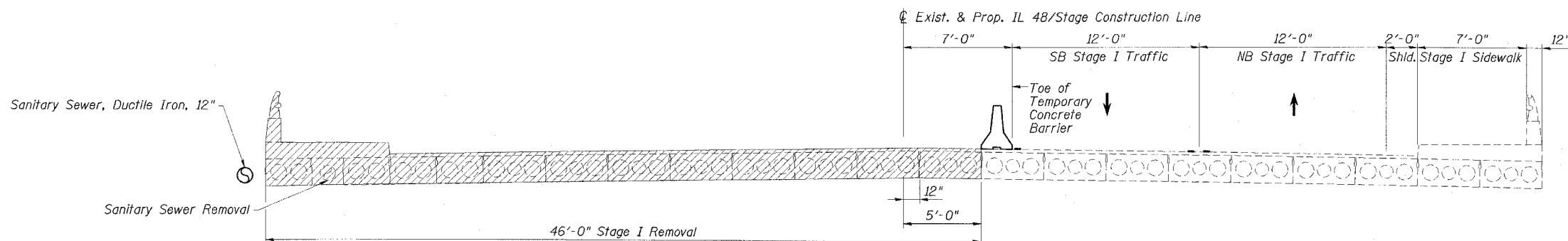
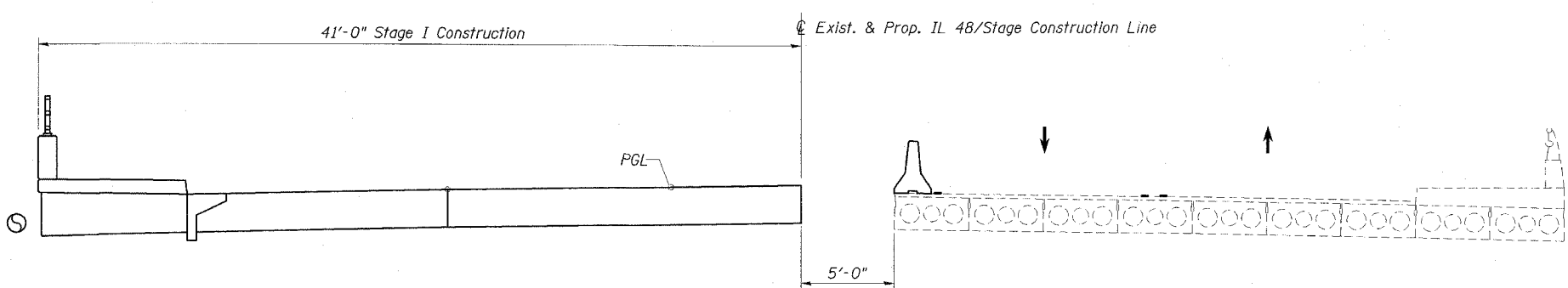


STATE OF ILLINOIS
DEPARTMENT OF TRANSPORTATION

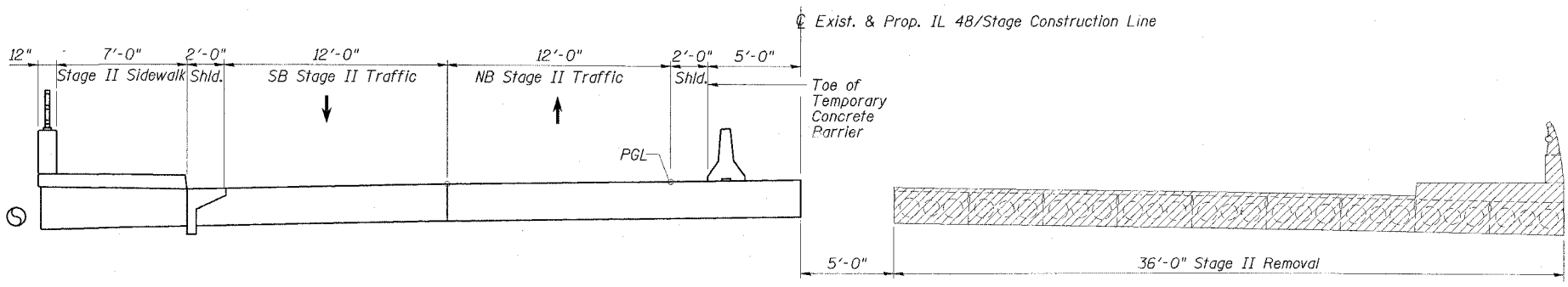
ROUTE NO. 716	SECTION *	COUNTY MACON	TOTAL SHEETS 95	SHEET 37	SHEET NO. 3 28 SHEETS
FED. ROAD DIST. NO. #		ILLINOIS	FED. AID PROJECT- AID		CONTRACT NO. 74166
					*130BR-1B-1



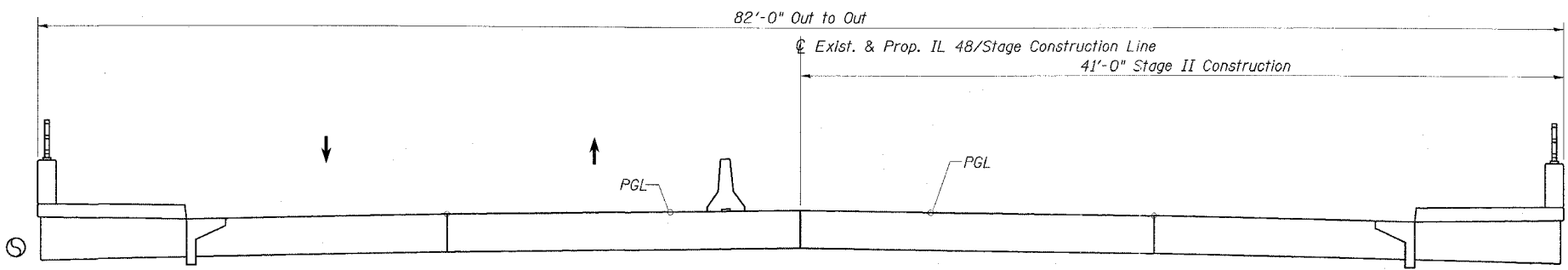
STAGE I REMOVAL



STAGE I CONSTRUCTION



STAGE II REMOVAL



STAGE II CONSTRUCTION

STAGE CONSTRUCTION NOTES

1. Hatched areas indicate removal.
2. All staging sections are looking North.
3. For quantities of Temporary Concrete Barrier, Sanitary Sewer Removal, and Sanitary Sewer, Ductile Iron, 12", see Roadway Plans.
4. The stage construction lines for the substructure units differ from the stage construction line for the superstructure. See details on the individual substructure sheets.
5. Prior to removing the existing sanitary sewer, a temporary sewer shall be constructed on the Temporary Support System provided by the Contractor. The proposed permanent sanitary sewer shall be constructed prior to removal of the temporary sewer. See Roadway Plans for details and locations of the temporary sewer and the proposed permanent sanitary sewer.

STAGE CONSTRUCTION DETAILS
IL ROUTE 48
OVER SPRING CREEK
FAP ROUTE 716 - SECTION (130BR-1)B-1
MACON COUNTY
STATION 135+77.11
STRUCTURE NO. 058-0135

ESCA
CONSULTANTS, INC.

DESIGNED BY:	ELH	03/07
DRAWN BY:	cj	03/07
CHECKED BY:	ELH	06/07
APPROVED BY:	RDP	06/07