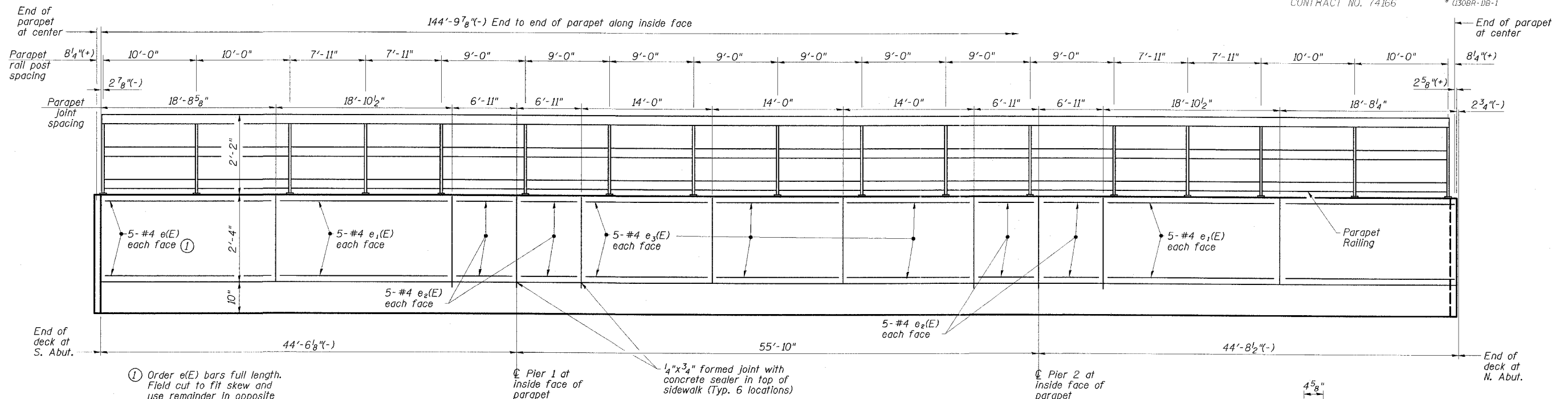
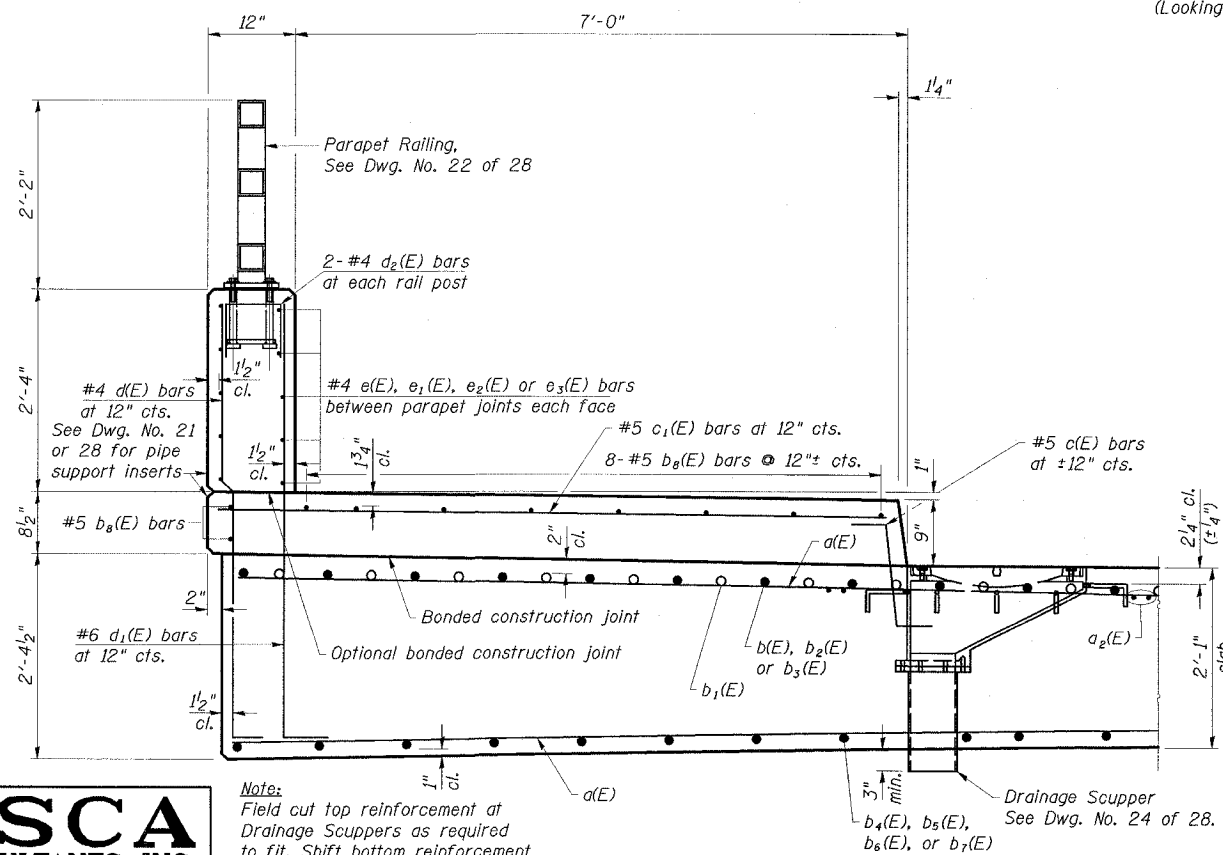


STATE OF ILLINOIS
DEPARTMENT OF TRANSPORTATION

ROUTE NO.	SECTION	COUNTY	TOTAL SHEETS	SHEET NO.	SHEET NO. 11 28 SHEETS
FAP 716	*	MACON	95	45	
FPL ROAD DIST. NO.		ILLINOIS	FPL AID PROJECT		CONTRACT NO. 74166 * (130BR-1B-1)

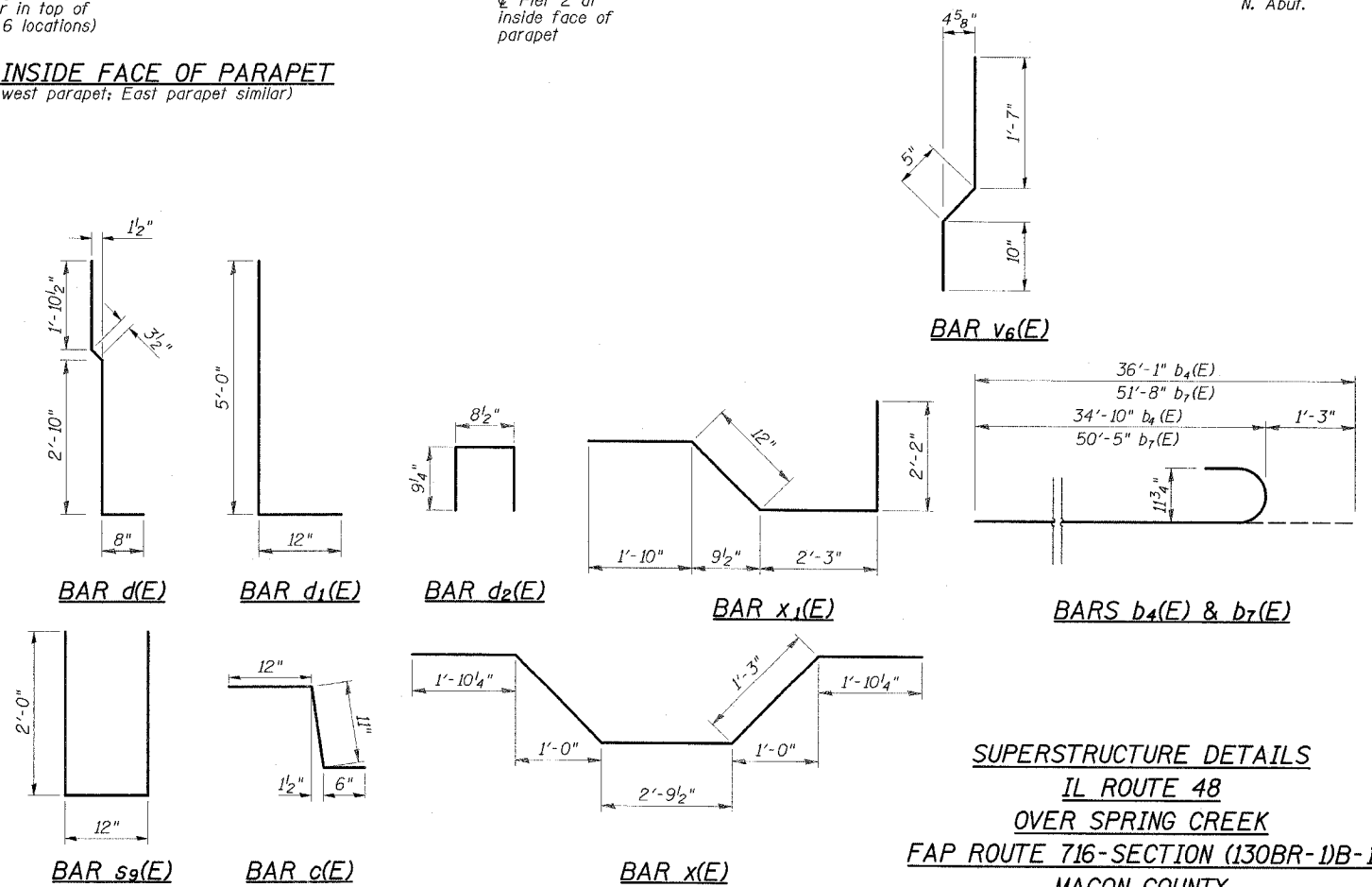


ELEVATION OF INSIDE FACE OF PARAPET
(Looking west at west parapet; East parapet similar)



Notes:
Field cut top reinforcement at Drainage Scuppers as required to fit. Shift bottom reinforcement transversely to clear.

SECTION THRU PARAPET



SUPERSTRUCTURE DETAILS
IL ROUTE 48
OVER SPRING CREEK
FAP ROUTE 716-SECTION (130BR-1B-1)
MACON COUNTY
STATION 135+77.11
STRUCTURE NO. 058-0135

ESCA
CONSULTANTS, INC.

DESIGNED BY:	ELH	03/07
DRAWN BY:	HAS	03/07
CHECKED BY:	ELH	06/07
APPROVED BY:	RDP	06/07