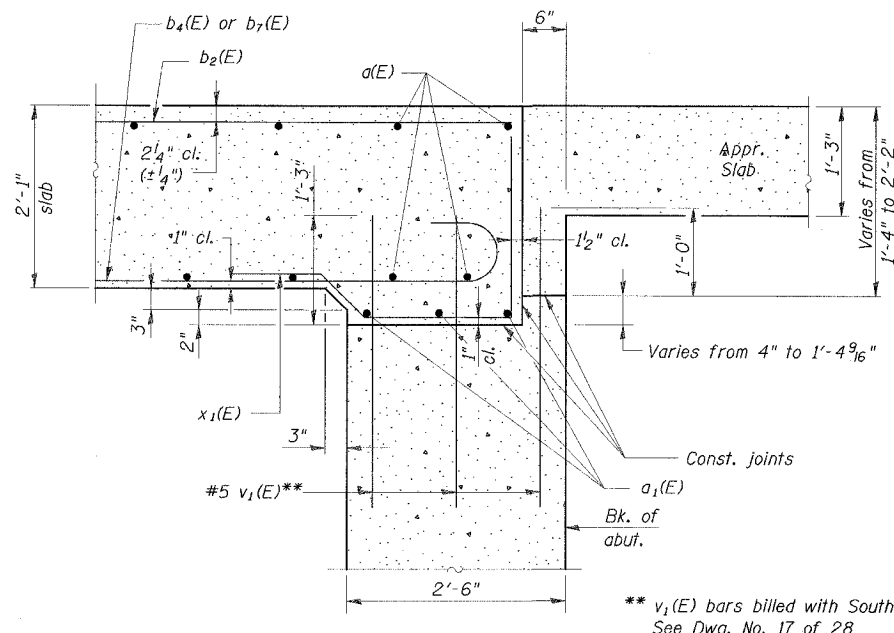


STATE OF ILLINOIS
DEPARTMENT OF TRANSPORTATION

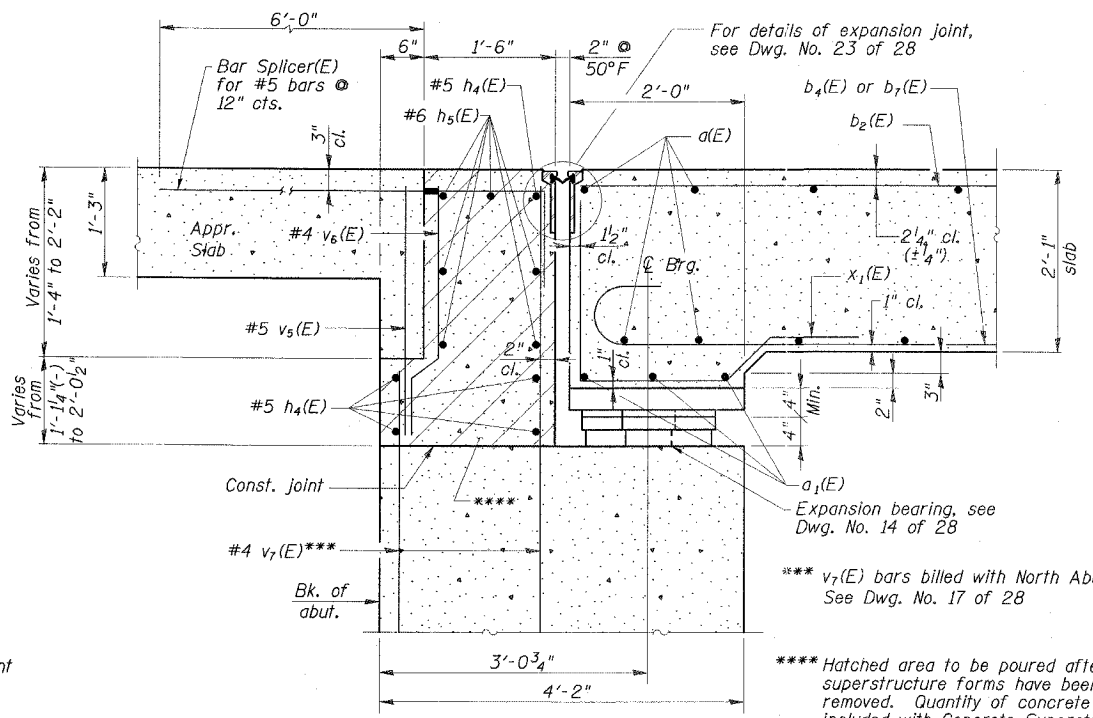
ROUTE NO.	SECTION	COUNTY	SHEETS	SHEET NO.
FAP 716		MACON	95	46
FED. ROAD DIST. NO.		ILLINOIS	FED. AID PROJECT-	
			CONTRACT NO. 74166	

SHEET NO. 12
28 SHEETS



SECTION A-A

** v₁(E) bars billed with South Abutment
See Dwg. No. 17 of 28



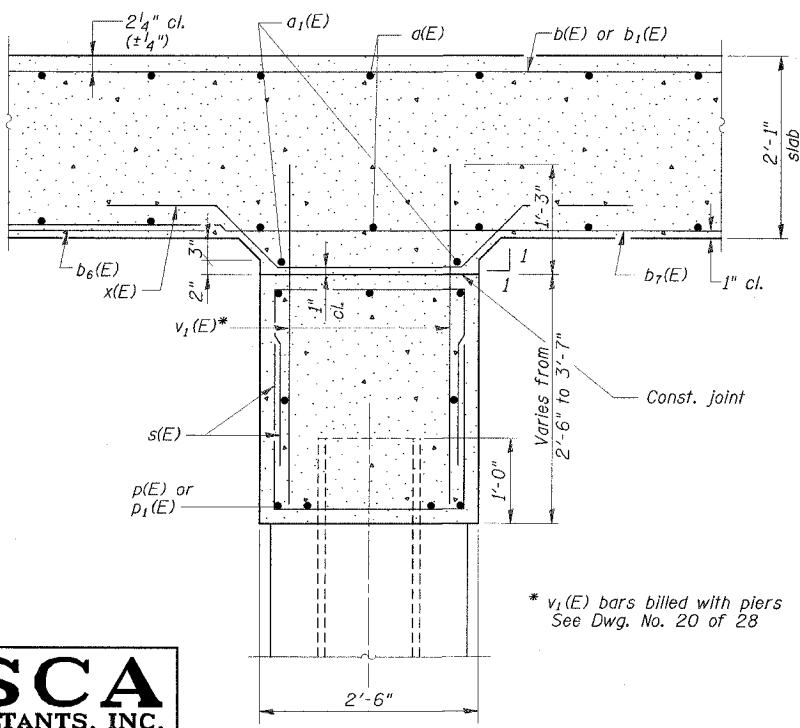
SECTION C-C

*** v₇(E) bars billed with North Abutment
See Dwg. No. 17 of 28

**** Hatched area to be poured after
superstructure forms have been
removed. Quantity of concrete
included with Concrete Superstructure.

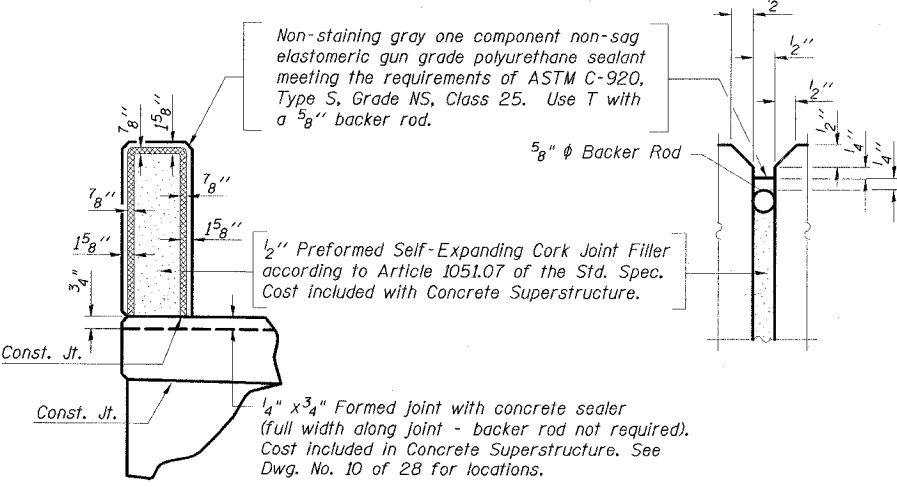
SUPERSTRUCTURE
BILL OF MATERIAL

Bar	No.	Size	Length	Shape
a(E)	848	#5	21'-3"	—
a ₁ (E)	40	#5	28'-3"	—
a ₂ (E)	48	#5	2'-0"	—
b(E)	196	#9	39'-3"	—
b ₁ (E)	196	#9	16'-7"	—
b ₂ (E)	196	#5	24'-6"	—
b ₃ (E)	98	#5	23'-2"	—
b ₄ (E)	140	#9	36'-1"	—
b ₅ (E)	70	#9	35'-2"	—
b ₆ (E)	70	#9	52'-0"	—
b ₇ (E)	140	#9	51'-8"	—
b ₈ (E)	100	#5	30'-5"	—
c(E)	290	#5	2'-5"	—
c ₁ (E)	286	#5	7'-7"	—
d(E)	290	#4	5'-8"	—
d ₁ (E)	290	#6	6'-0"	—
d ₂ (E)	68	#4	2'-3"	—
e(E)	20	#4	36'-9"	—
e ₁ (E)	40	#4	18'-6"	—
e ₂ (E)	80	#4	6'-7"	—
e ₃ (E)	60	#4	13'-8"	—
h ₄ (E)	20	#5	29'-2"	—
h ₅ (E)	24	#6	29'-4"	—
m(E)	48	#4	2'-4"	—
s ₉ (E)	64	#4	5'-0"	—
v ₅ (E)	110	#5	2'-8"	—
v ₆ (E)	110	#4	2'-10"	—
x(E)	164	#5	9'-0"	—
x ₁ (E)	164	#5	7'-3"	—
Reinforcement Bars, Epoxy Coated		Pound	144,300	
Concrete Superstructure		Cu. Yd.	1052.7	
Bar Splicers		Each	311	

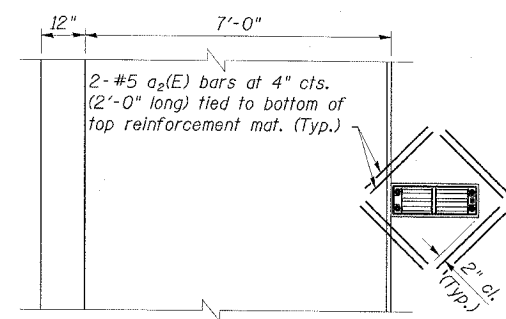


SECTION B-B

* v₁(E) bars billed with piers
See Dwg. No. 20 of 28



PARAPET JOINT DETAILS



DRAINAGE SCUPPER PLAN

SUPERSTRUCTURE DETAILS
IL ROUTE 48
OVER SPRING CREEK
FAP ROUTE 716-SECTION (130BR-1)B-1
MACON COUNTY
STATION 135+77.11
STRUCTURE NO. 058-0135

ESCA
CONSULTANTS, INC.

DESIGNED BY:	ELH	03/07
DRAWN BY:	DWH	03/07
CHECKED BY:	ELH	06/07
APPROVED BY:	RDP	06/07