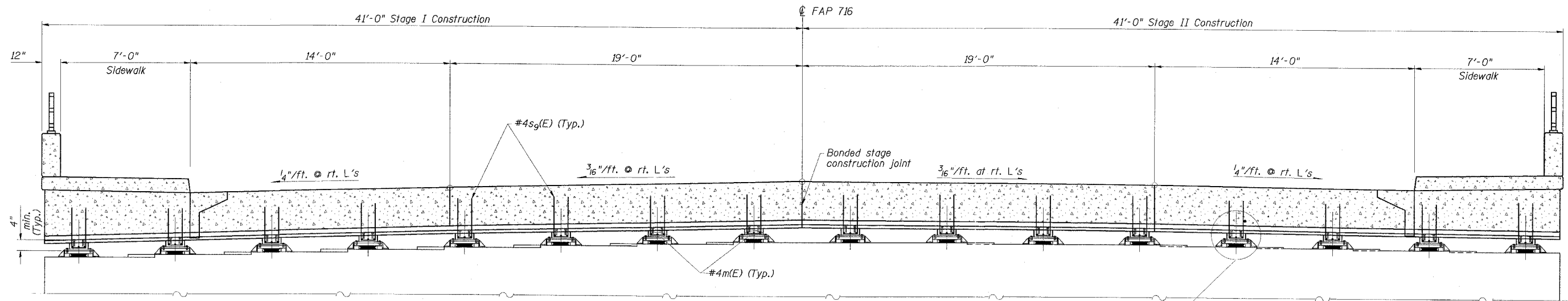
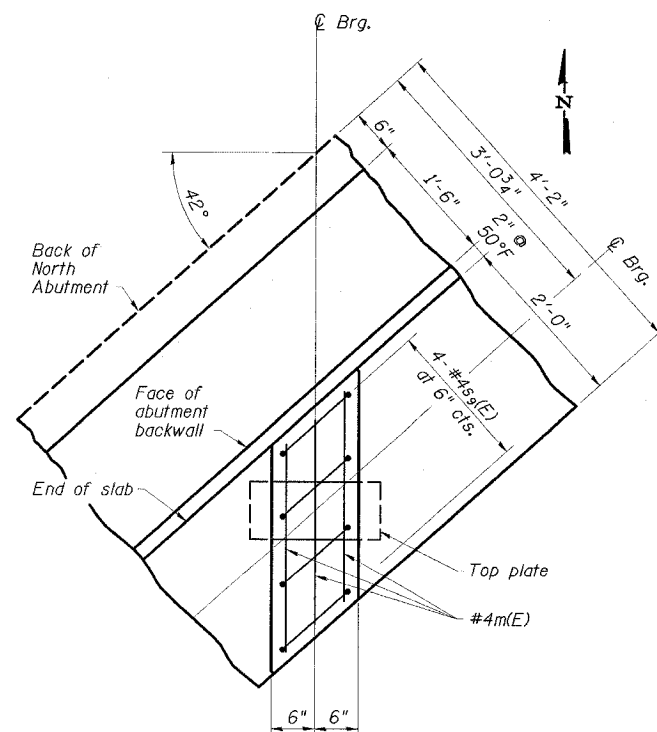


STATE OF ILLINOIS  
DEPARTMENT OF TRANSPORTATION

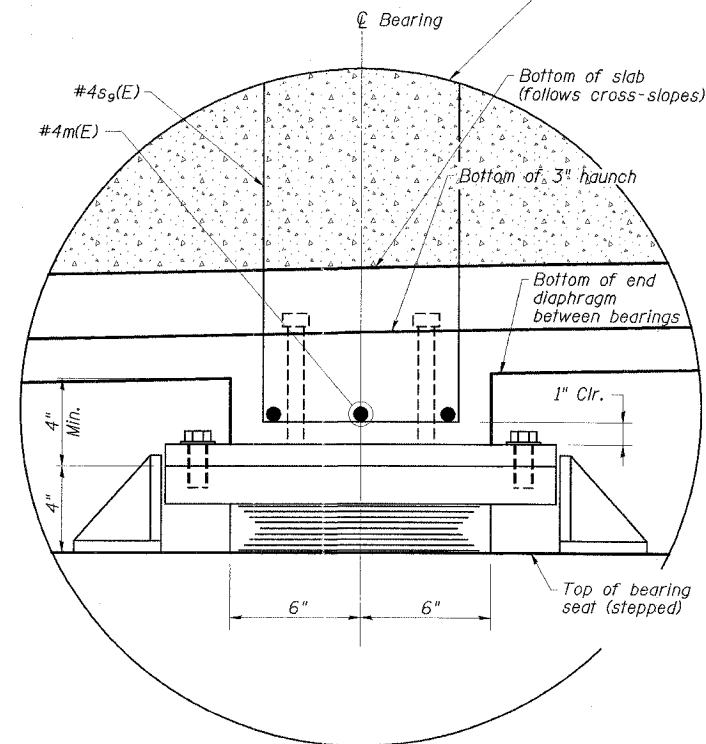
ROUTE NO.	SECTION	COUNTY	STATION	SHEET	SHEET NO. 13
FAP 716	*	MACON	95	47	28 SHEETS
FED. ROAD DIST. NO.	ILLINOIS	FED. AID PROJECT	CONTRACT NO. 74166 * (130BR-1B-1)		



**CROSS SECTION AT NORTH ABUTMENT BEARINGS**  
(Looking north along  $\odot$  roadway)



**PLAN OF ADDITIONAL SLAB REINFORCEMENT  
AT NORTH ABUTMENT BEARING**



**SECTION SHOWING ADDITIONAL REINFORCEMENT  
AT NORTH ABUTMENT BEARING**

**ESCA**  
CONSULTANTS, INC.

DESIGNED BY:	ELH	03/07
DRAWN BY:	HAS	03/07
CHECKED BY:	ELH	03/07
APPROVED BY:	RDP	03/07

**SUPERSTRUCTURE DETAILS**  
IL ROUTE 48  
OVER SPRING CREEK  
FAP ROUTE 716-SECTION (130BR-1B-1)  
MACON COUNTY  
STATION 135+77.11  
STRUCTURE NO. 058-0135