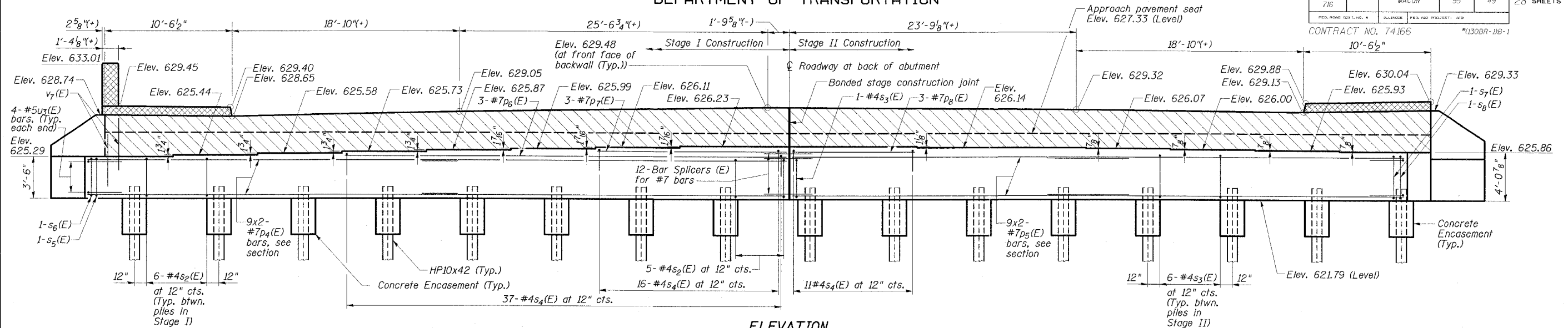
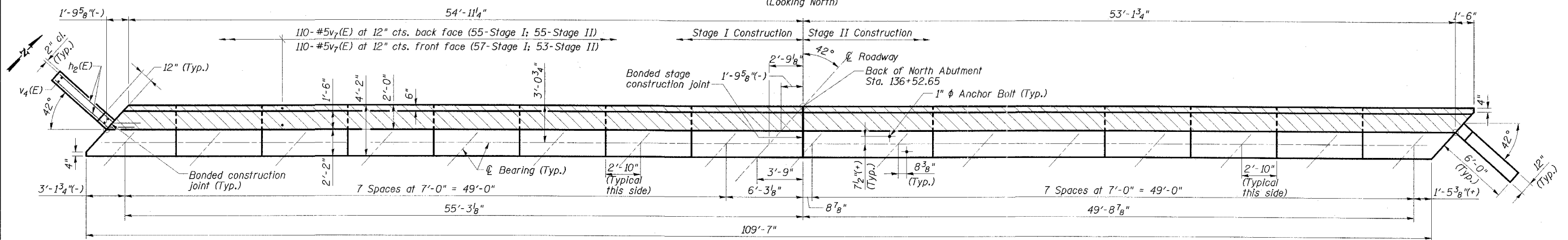


STATE OF ILLINOIS
DEPARTMENT OF TRANSPORTATION

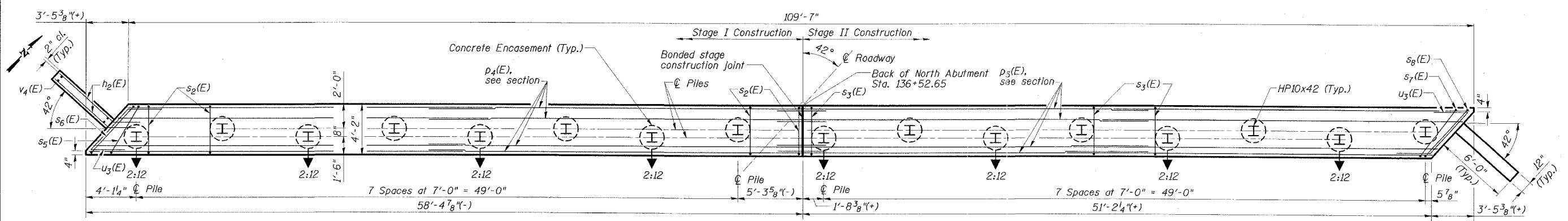
ROUTE NO.	SECTION	COUNTY	SHEETS	SHEET NO.
FAP 716		MACON	95	49
CONTRACT NO. 74166				
*130BR-11B-1				



ELEVATION
(Looking North)



TOP VIEW



NORTH ABUTMENT
IL ROUTE 48
OVER SPRING CREEK
FAP ROUTE 716 - SECTION (130BR-1)B-1
MACON COUNTY
STATION 135+77.11
STRUCTURE NO. 058-0135

PILE DATA

Pile Type & Size: HP10x42 with pile shoes
Nominal Required Bearing: 276 kips
Allowable Resistance Available: 92 kips
Estimated Pile Length: 60'
No. of Production Piles: 15
No. of Test Piles: 1

MIN. BAR LAP

#4 1'-4"
#7 2'-11"

NOTES

- For Bill of Material, Bar Bending Details, Section Thru North Abutment, and Wingwall Details see Dwg. No. 17 of 28.
- For pile details and concrete encasement details see Dwg. No. 26 of 28.
- Bars indicated thus: 10x2-#7 etc. indicates 10 lines of bars with 2 lengths per line.
- Hatched area to be poured after superstructure forms have been removed. Quantity of concrete included with Concrete Superstructure.
- Cross hatched areas to be poured with and quantity included with Bridge Approach Shoulder Pavement (Special), see Roadway Plans.
- Space reinforcement to clear anchor bolt locations.
- Concrete sealer shall be used on the front face of the backwall and the tops and sides of the exposed bearing seat / pile cap beneath the expansion joint.

ESCA
CONSULTANTS, INC.

DESIGNED BY:	ELH	03/07
DRAWN BY:	oj	03/07
CHECKED BY:	ELH	06/07
APPROVED BY:	RDP	06/07