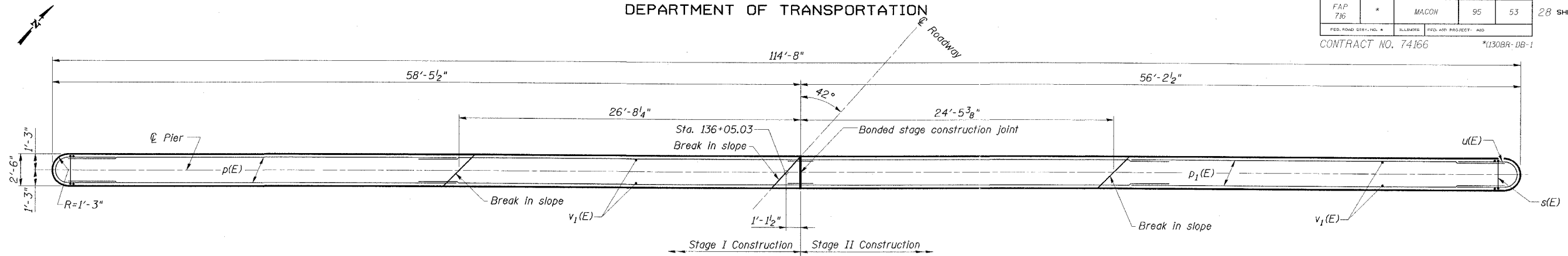
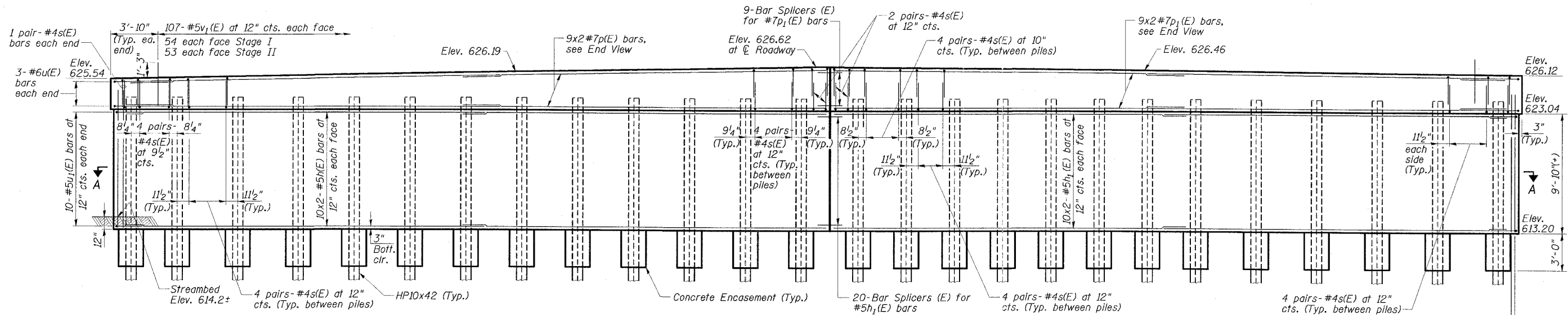


STATE OF ILLINOIS  
DEPARTMENT OF TRANSPORTATION

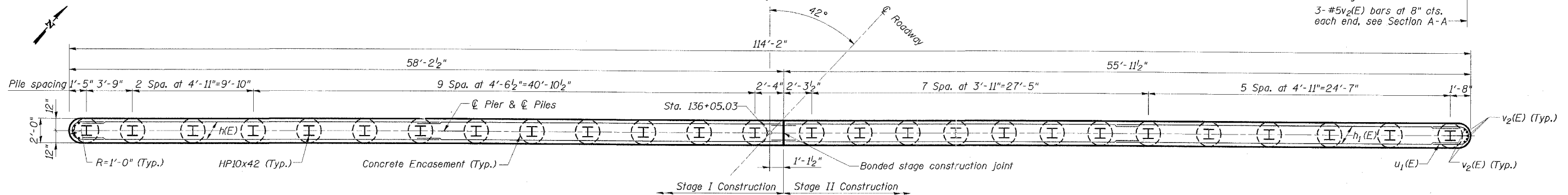
ROUTE NO.	SECTION	COUNTY	DATE	SHEET	SHEET NO. 19 28 SHEETS
FAP 716	*	MACON	95	53	
CONTRACT NO. 74166		ILLINOIS FED. AID PROJECT - 10		*130BR-DB-1	



TOP PLAN



ELEVATION  
(Looking North)



SECTION A-A

PILE DATA

Pile Type & Size: HP10x42 with pile shoes  
Nominal Required Bearing: 335 kips  
Allowable Resistance Available: 111 kips  
Estimated Pile Length: 67'  
No. of Production Piles: 25  
No. of Test Piles: 1

MIN. BAR LAP

#4 ..... 1'-4"  
#5 ..... 1'-10"  
#7 ..... 2'-11"

NOTES

- For Bill of Material, Bar Bending Details and End View see Dwg. No. 20 of 28.
- For pile details and concrete encasement details see Dwg. No. 26 of 28.
- Bars indicated thus: 9x2-#7 etc. indicates 9 lines of bars with 2 lengths per line.

PIER 2  
IL ROUTE 48  
OVER SPRING CREEK  
FAP ROUTE 716 - SECTION (130BR-DB-1)  
MACON COUNTY  
STATION 135+77.11  
STRUCTURE NO. 058-0135

**ESCA**  
CONSULTANTS, INC.

DESIGNED BY: ELH 03/07  
DRAWN BY: oj 03/07  
CHECKED BY: ELH 03/07  
APPROVED BY: RDP 03/07