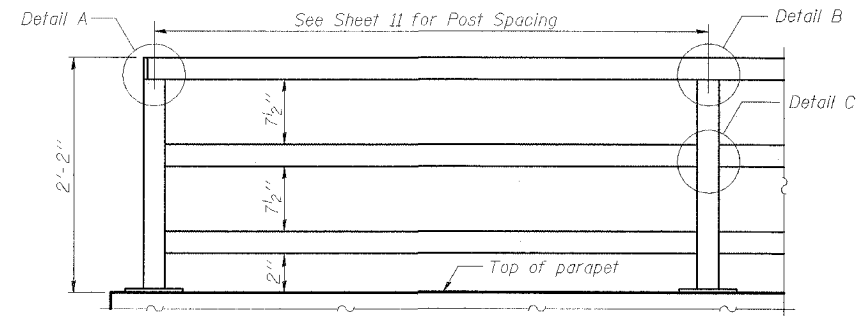
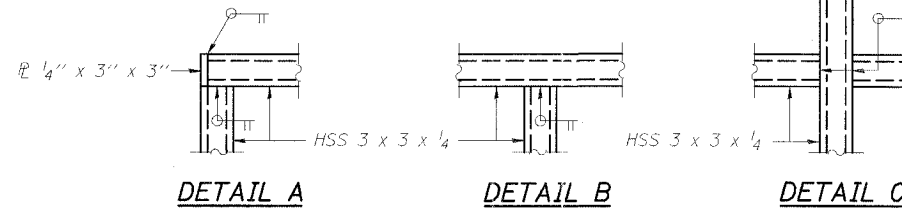


STATE OF ILLINOIS  
DEPARTMENT OF TRANSPORTATION

|                     |          |                  |                                   |       |              |
|---------------------|----------|------------------|-----------------------------------|-------|--------------|
| ROUTE NO.           | SECTION  | COUNTY           | SHEET NO.                         | SHEET | SHEET NO. 22 |
| FAP 716             | *        | MACON            | 95                                | 56    | 28 SHEETS    |
| FED. ROAD DIST. NO. | ILLINOIS | FED. AID PROJECT | CONTRACT NO. 74166 * (130BR-1)B-1 |       |              |

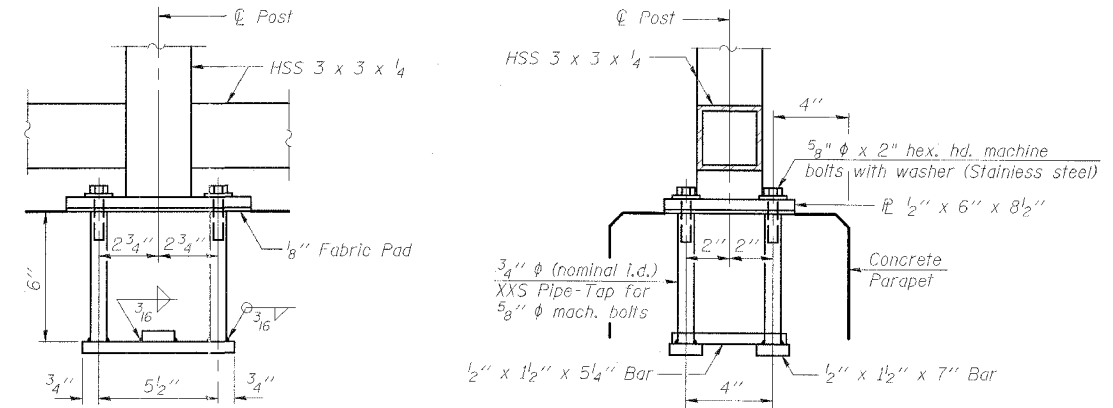


**PARAPET RAILING  
ELEVATION**



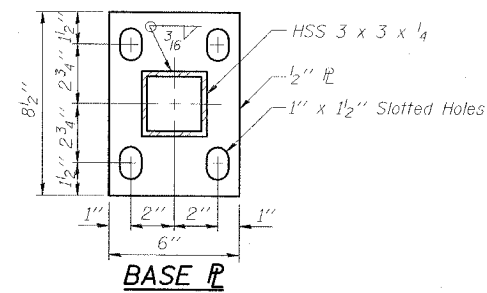
**NOTES**

All steel rail elements shall be galvanized according to Article 509.05 of the Standard Specifications.

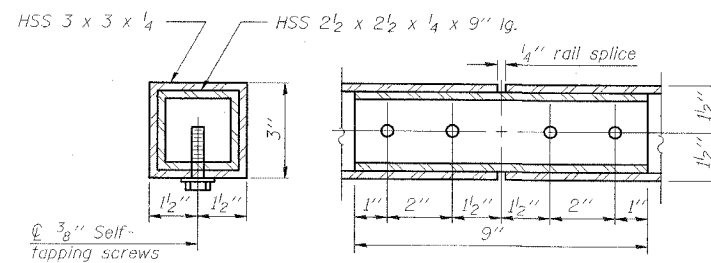


**ANCHOR BOLT DETAILS**

In lieu of the cast-in-place anchor device shown, the Contractor has the option of drilling and setting 5/8"  $\phi$  anchor rods according to Article 509.06 of the Standard Specifications. Embedment shall be according to the manufacturer's specifications.



**BASE PL**



**RAIL SPLICE**

**BILL OF MATERIAL**

| Item            | Unit | Quantity |
|-----------------|------|----------|
| Parapet Railing | Foot | 288      |

**ESCA**  
CONSULTANTS, INC.

|              |     |       |
|--------------|-----|-------|
| DESIGNED BY: | ELH | 03/07 |
| DRAWN BY:    | HAS | 03/07 |
| CHECKED BY:  | ELH | 03/07 |
| APPROVED BY: | RDP | 03/07 |

**PARAPET RAILING  
IL ROUTE 48  
OVER SPRING CREEK  
FAP ROUTE 716-SECTION (130BR-1)B-1  
MACON COUNTY  
STATION 135+77.11  
STRUCTURE NO. 058-0135**