

STATE OF ILLINOIS
DEPARTMENT OF TRANSPORTATION

| | | | | | |
|---------------------|---------|--------|-------|-------|--------------------|
| ROUTE NO. | SECTION | COUNTY | SHEET | SHEET | SHEET NO. 24 |
| FAP 716 | * | MACON | 95 | 58 | 28 SHEETS |
| FED. ROAD DIST. NO. | | | | | CONTRACT NO. 74166 |
| ILLINOIS | | | | | FED. AID PROJECT |
| | | | | | (130BR-1)B-1 |

Notes:

All cast iron parts shall be gray iron conforming to the requirements of AASHTO M 105, Class 35B.

Bolts, anchor studs, washers and nuts shall conform to the requirements of ASTM A 307 and shall be galvanized according to AASHTO M 232.

Downspouts located on the exterior side of a painted steel fascia beam shall be painted with the finish coat specified for the exterior side of the fascia beam.

As an alternate, bolts, anchor studs, washers and nuts may be stainless steel according to Article 1006.29(d) of the Standard Specifications.

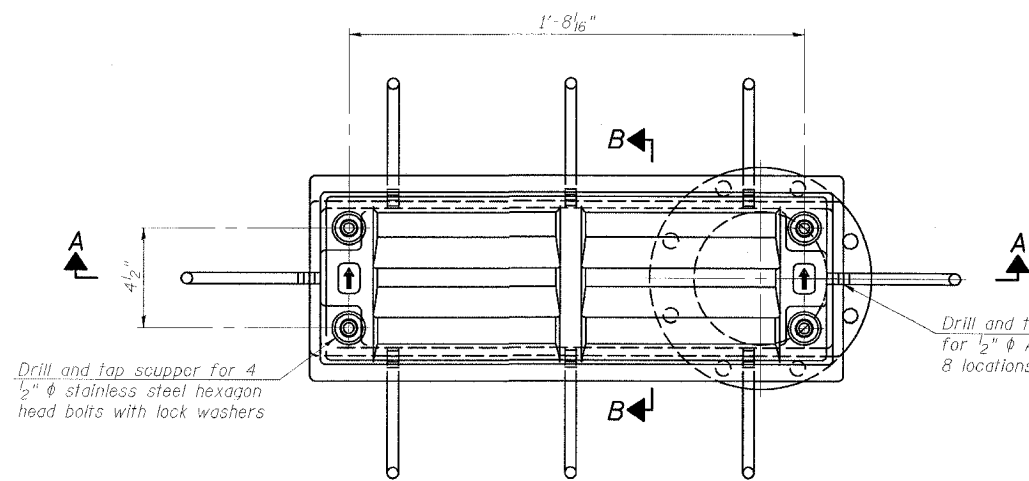
Structural steel weldments of equal sections and of the same configuration may be substituted for the cast iron scupper grate.

Structural steel weldments shall be used for the frame. Fillet or full penetration welds shall be used for the weldments. Details shall be submitted to the Engineer for approval. Structural steel frames and downspouts shall be galvanized according to AASHTO M111.

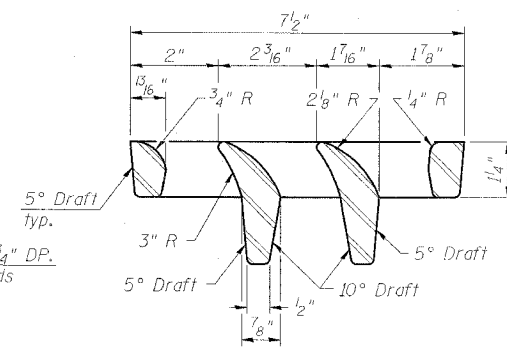
The Contractor shall take appropriate measures to assure that Protective Coat is not applied to the scupper.

Cost of the Grate, Frame, Downspout, Anchor Studs, Bolts, Washers and Nuts including complete installation of the scupper shall be paid for at the contract unit price each for Drainage Scupper, DS-12.

Alternate fiberglass downspout conforming to ASTM D 2996 with a short-time rupture strength hoop tensile stress of 30,000 psi min. may be used in lieu of the cast iron or steel equivalent.

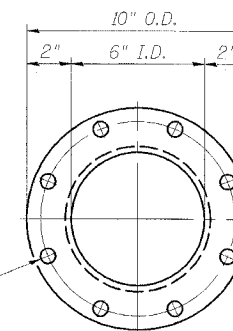


PLAN

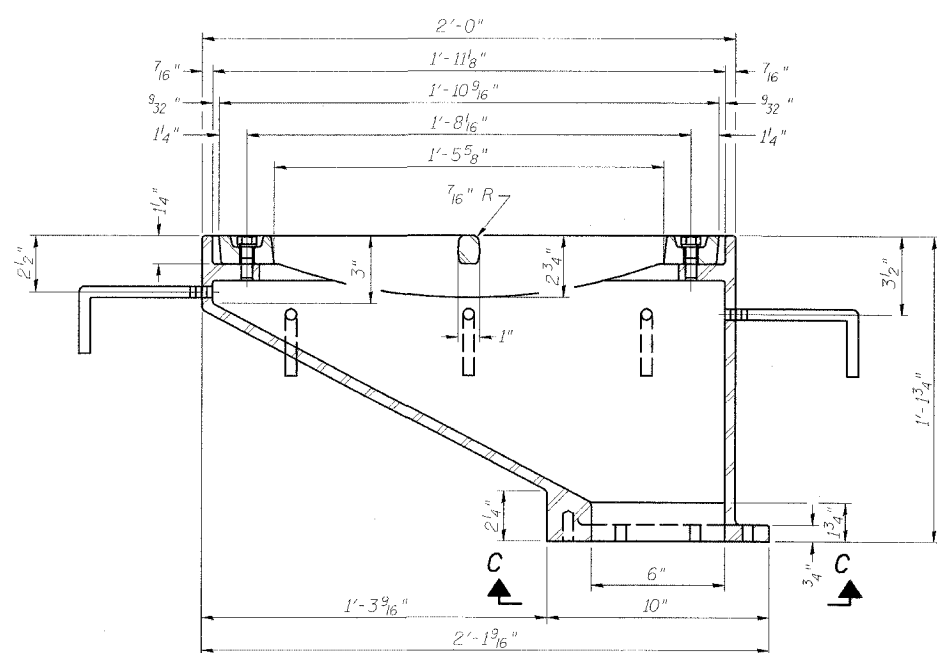


VANE GRATE DETAIL

8-9/16" φ holes on an 8-3/4" φ bolt circle

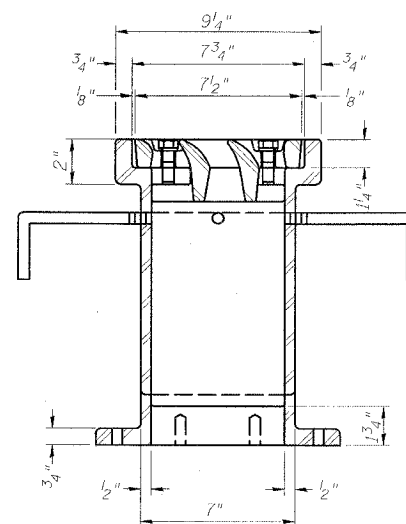


VIEW C-C

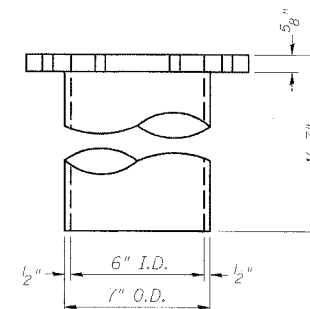


SECTION A-A

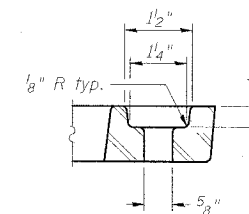
See sheet 10 of 28 for scupper location relative to sidewalk.



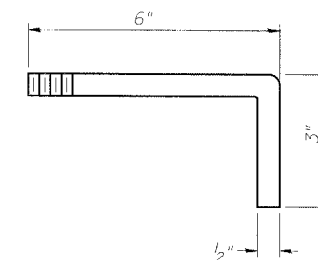
SECTION B-B



DOWNSPOUT



BOLT HOLE DETAIL



ANCHOR STUD DETAIL

BILL OF MATERIAL

| ITEM | UNIT | QUANTITY |
|-------------------------|------|----------|
| Drainage Scupper, DS-12 | Each | 6 |

DRAINAGE SCUPPER, DS-12

IL ROUTE 48

OVER SPRING CREEK

FAP ROUTE 716-SECTION (130BR-1)B-1

MACON COUNTY

STATION 135+77.11

STRUCTURE NO. 058-0135

Drill and tap 8 holes for 1/2"-13 bolts on an 8-3/4" φ bolt circle. (2 blind holes are 1 1/4" deep, 6 thru holes)

ESCA
CONSULTANTS, INC.

| | | |
|--------------|-----|-------|
| DESIGNED BY: | ELH | 03/07 |
| DRAWN BY: | HAS | 03/07 |
| CHECKED BY: | ELH | 03/07 |
| APPROVED BY: | RDP | 03/07 |