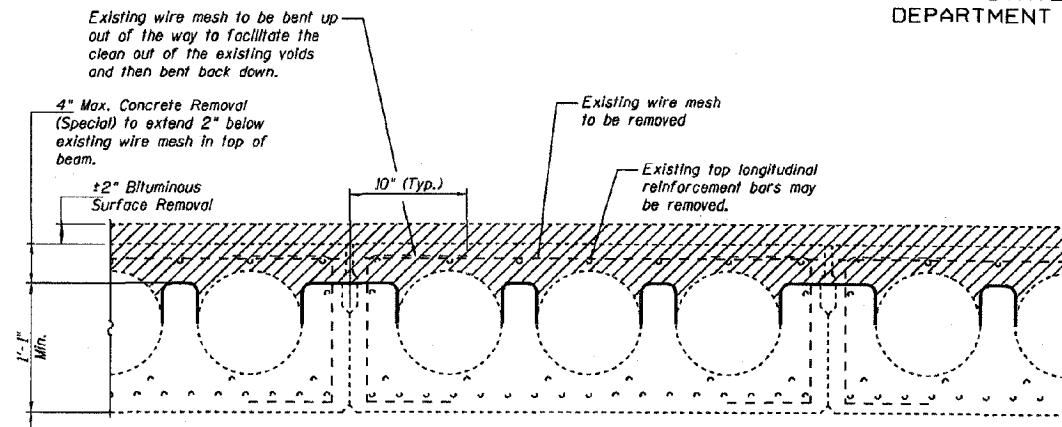


FOR INFORMATION ONLY

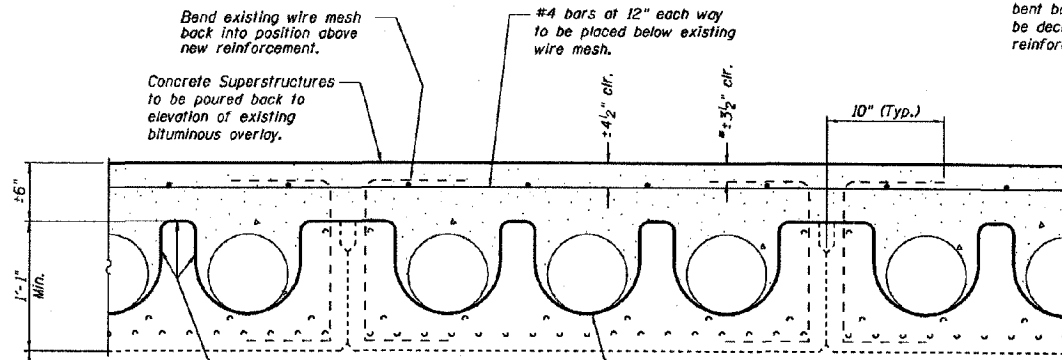
CONTRACT NO. 74166				
F&P RTE	SECTION	COUNTY	TOTAL SHEETS	SHEET NO.
716	(130BR-1)B-1	MACON	95	75
STA.		TO STA.		
FED. ROAD DIST. NO.	ILLINOIS	FED. AID PROJECT		

STATE OF ILLINOIS  
DEPARTMENT OF TRANSPORTATION

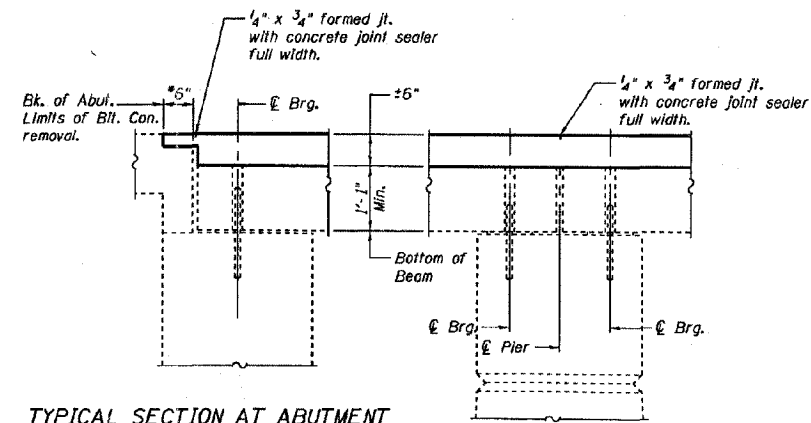
PROJECT NO.	SECTION	COUNTY	DATE	SHEET
		MACON		2
SHEET NO. 2				
2 SHEETS				
Contract Number: ---				



TYPICAL STAGE II AND III REMOVAL SECTION  
(Hatched area indicates areas of removal)



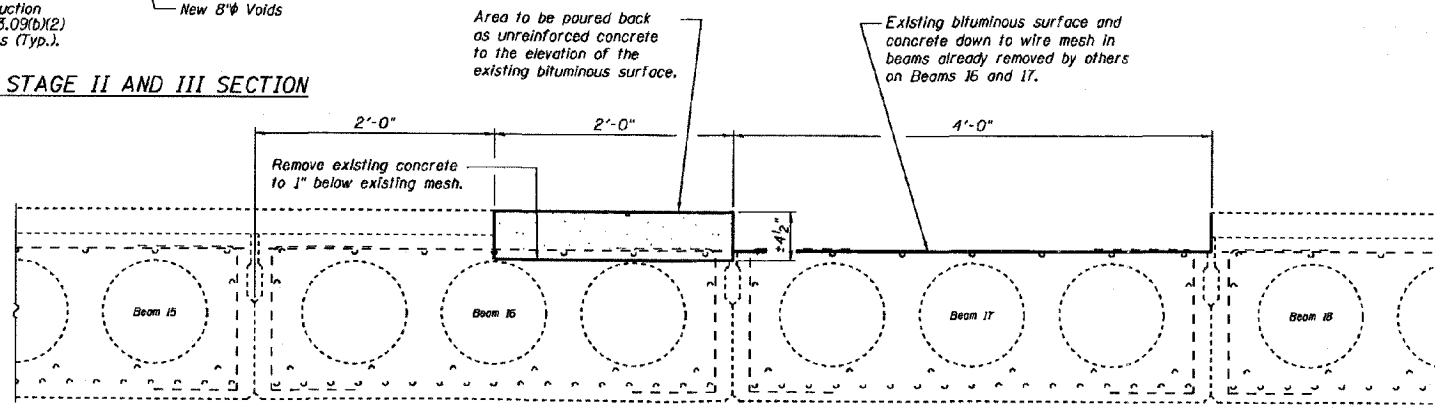
TYPICAL STAGE II AND III SECTION



TYPICAL SECTION AT ABUTMENT  
Horizontal Dimensions are at Rt. L's

TYPICAL SECTION AT PIERS  
Horizontal Dimensions are at Rt. L's

\*The clearance shown applies to the mesh being bent back to original position. This dimension may be decreased to 2" if helpful in placing the new #4 reinforcement bars below the existing mesh.



TYPICAL STAGE I SECTION

DESIGNED	D.C.P.
CHECKED	M.A.C.
DRAWN	Drew Christopher
CHECKED	D.C.P. M.A.C.

EXAMINED *John A. Morris*  
ENGINEER OF STRUCTURAL SERVICES  
PASSED *Ralph E. Anderson*  
ENGINEER OF BRIDGES AND STRUCTURES

**PRE-FINAL**  
DATE: 07/27/2006

DECK DETAILS  
RT. 48 / SPRING CREEK  
MACON COUNTY  
SN 058-0056