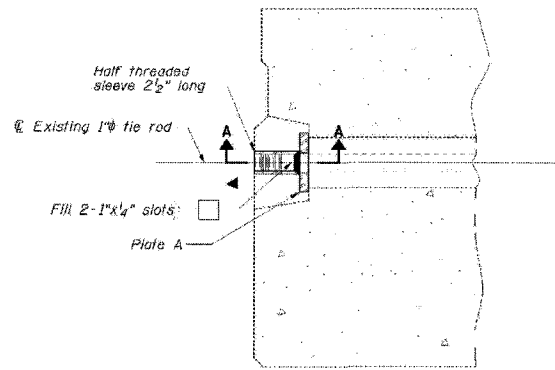


FOR INFORMATION ONLY

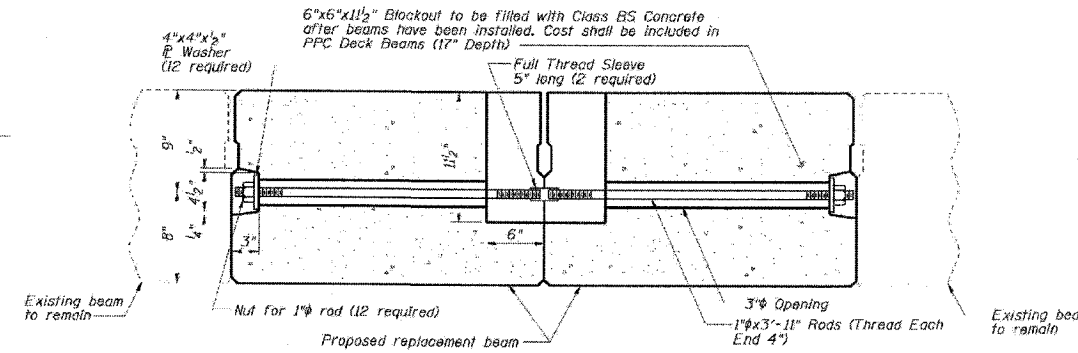
CONTRACT NO. 74166				
FAP	SECTION	COUNTY	TOTAL SHEETS	SHEET NO.
716	(130BR-1)B-1	MACON	95	80
STA.		TO STA.		
FED. ROAD DIST. NO.	ILLINOIS	FED. AID PROJECT		

STATE OF ILLINOIS
DEPARTMENT OF TRANSPORTATION

PROJECT NO.	SECTION	DATE	SCALE	DATE	SHEET NO. OF
FAP 716	(130BR-1)B-1	MAY 07	AS SHOWN	20	5 SHEETS
FED. ROAD DIST. NO.		ILLINOIS	FED. AID PROJECT	CONTRACT NO. 74166	



DETAIL A
(6 Required)



TRANSVERSE TIE ASSEMBLY-DETAIL 1

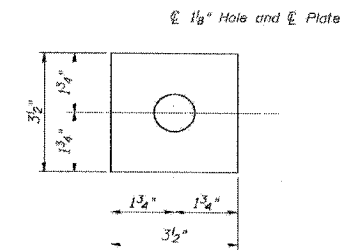
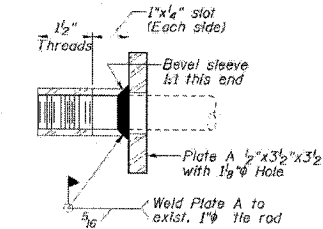
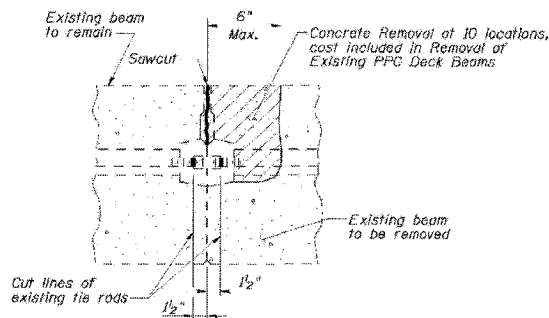


PLATE A

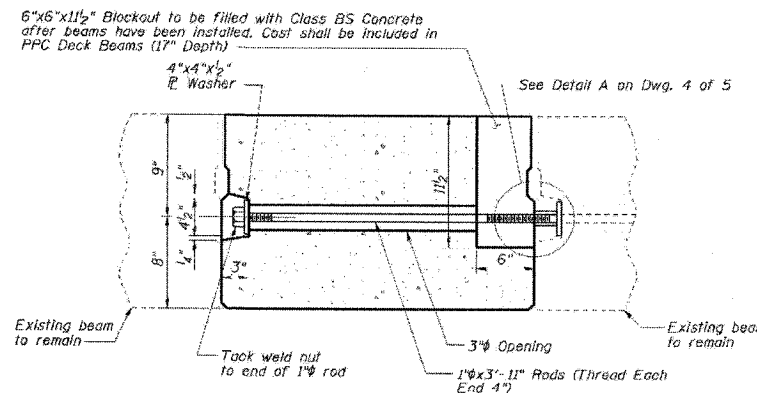


SECTION A-A

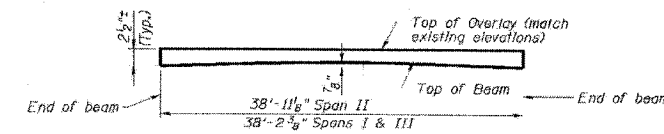


BEAM REMOVAL DETAIL AT TRANSVERSE TIES

Note:
Existing grout covering nuts for transverse tie assemblies shall be removed. Existing rods shall be cut as detailed to allow beam removal. Cost included in Removal of Existing PPC Deck Beams.



TRANSVERSE TIE ASSEMBLY-DETAIL 2



ANTICIPATED INITIAL CAMBER DIAGRAM

DECK BEAM DETAILS
FAP ROUTE 716 (IL 48)
OAKLAND AVENUE
SECTION (130BR-1)BR
MACON COUNTY
SN Q58-0056

ESCA
CONSULTANTS, INC.

DESIGNED BY:	ELH	02/07
DRAWN BY:	JPC	02/07
CHECKED BY:	ELH	03/07
APPROVED BY:	RDP	03/07