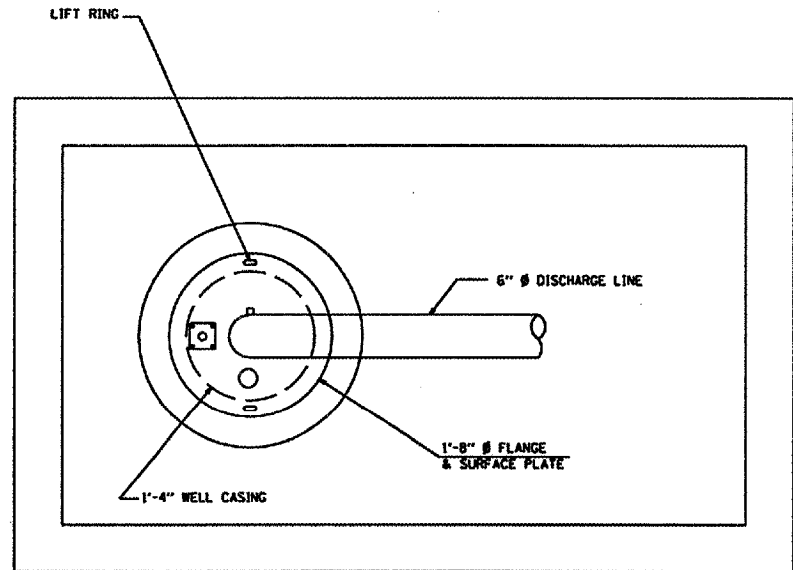
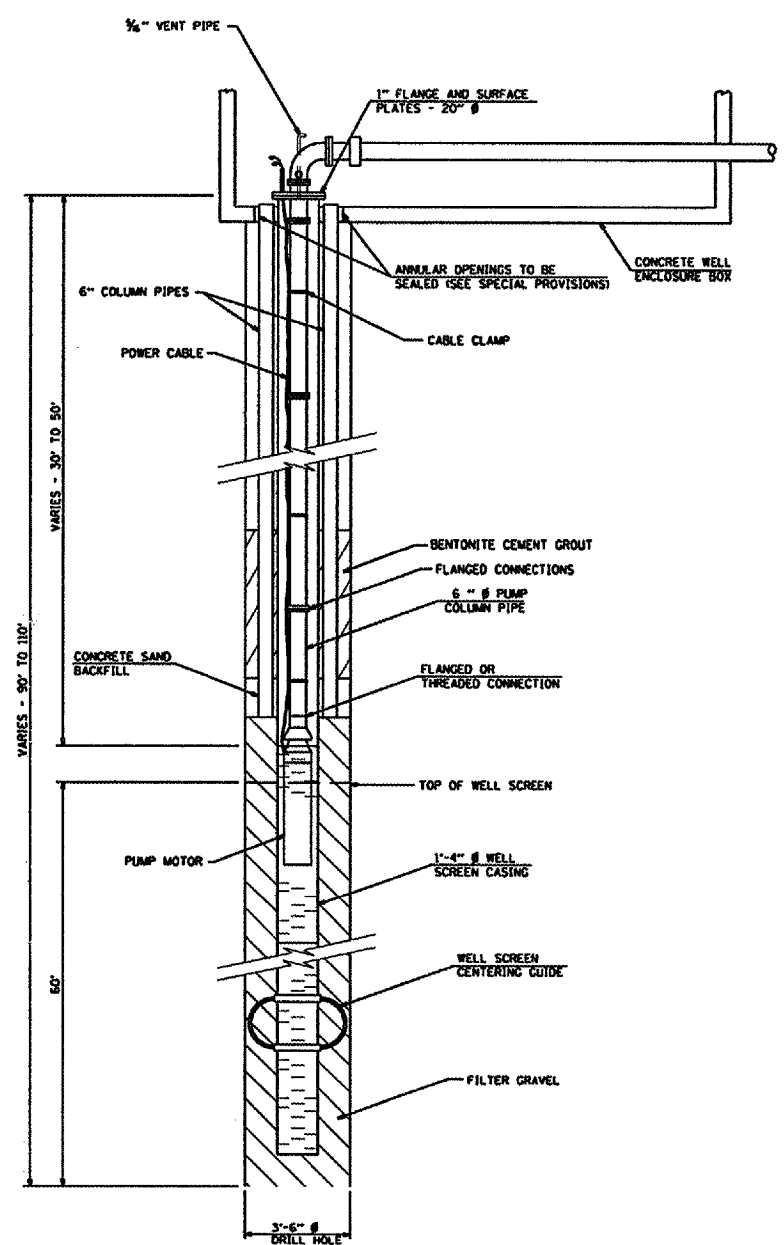


F.A.P. RTE.	SECTION	COUNTY	TOTAL SHEETS	SHEET NO.
VAR	**	***	9	8
STA.		TO STA.		
FED. ROAD DIST. NO.		ILLINOIS FED. AID PROJECT		
		** DIST 8 DEEP WELLS 2008-1		
		*** MADISON & ST. CLAIR		

PLAN	DATE
NO.	
BY	
DESIGNED	
PLOTTED	
CHECKED	
DATE	
FILE NAME	



WELL HEAD DETAIL



EXISTING

NOT TO SCALE

ILLINOIS DEPARTMENT OF TRANSPORTATION

TYPICAL WELL DETAILS
LOCATION 1, 2 & 4

VARIOUS ROUTES
DISTRICT 8 DEEP WELLS 2008-1
MADISON & ST. CLAIR COUNTY

DRAWN BY:

PLOT DATE: *DATE-TIME*

REVISIONS	
NAME	DATE

DATE
TIME
REF
REF