

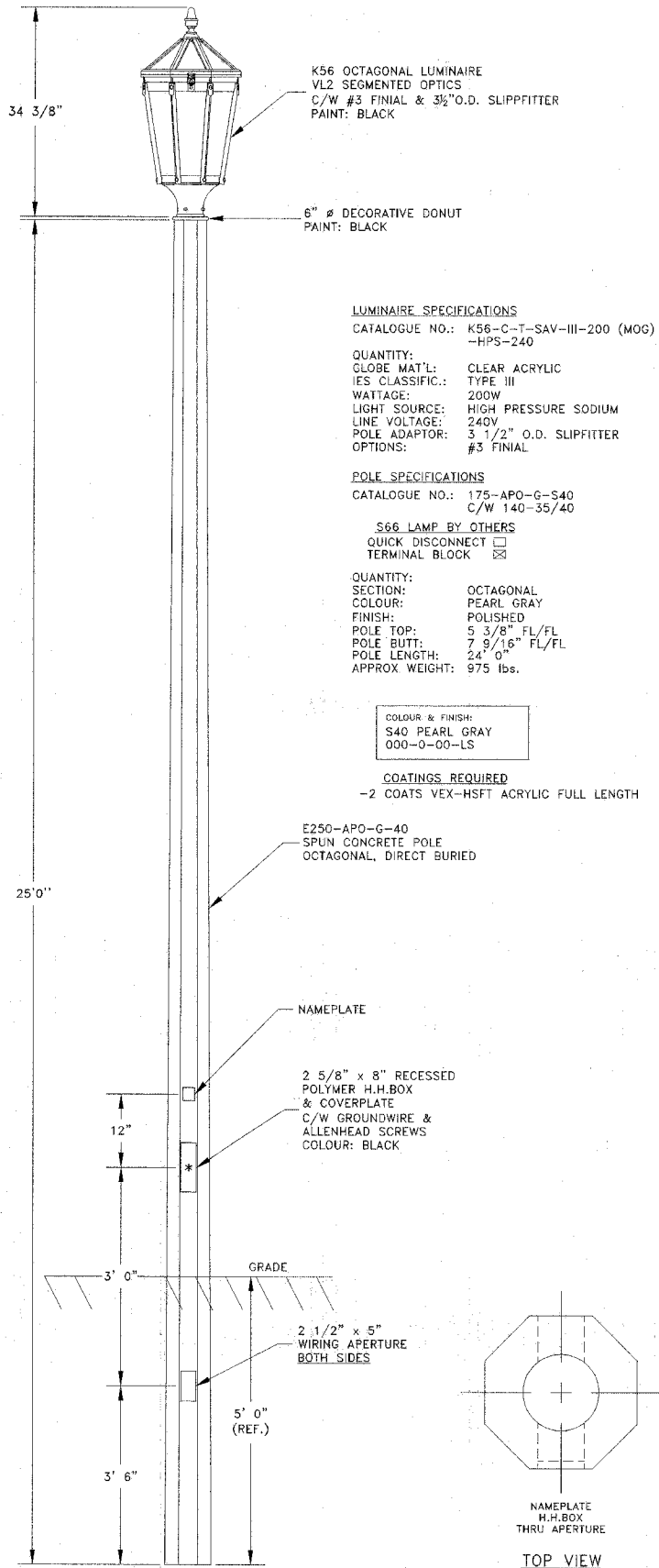
- 1 QUICK DISCONNECT STANDARD 2 POLE SMALL DIMENSION 600 VOLT FUSE HOLDERS WITH BOOTS AND FUSING (SLOW BLOW FUSE AND SOLID SLUG) FUSE SIZE TO BE 3 AMP.
- 2 NO. 10 WIRE TO LUMINAIRE
- 3 MULTIPLE COMPRESSION FITTING
- 4 1-1/4" UNIT DUCT w/3-1/C NO. 4 AND 1/C NO. 8
- 5 NEW NO. 10 GROUND WIRE TO GROUND ROD WITH EXOTHERMIC WELD
- 6 GROUND LUG
- 7 SEAL ENDS OF UNIT DUCT AGAINST THE ENTRANCE OF WATER

NOTE: ALLOW 30" LOOP OF CABLES TO INSURE SUFFICIENT SLACK FOR WITHDRAWAL OF THE CONNECTORS OUTSIDE OF THE POLE HANDHOLE.

POLE HANDHOLE WIRING DIAGRAM

ILLUMINATION GENERAL NOTES

1. THE LATEST EDITIONS OF THE "STANDARD SPECIFICATIONS FOR ROAD AND BRIDGE CONSTRUCTION" PREPARED BY THE ILLINOIS DEPARTMENT OF TRANSPORTATION AND THE SUPPLEMENTAL "SPECIAL PROVISIONS" SHALL GOVERN ALL WORK ASSOCIATED WITH THIS PROJECT.
2. THE LOCATIONS OF THE UTILITIES AS SHOWN ON THE PLANS ARE APPROXIMATE ONLY AND MUST BE VERIFIED BY EACH RESPECTIVE UTILITY COMPANY. IT SHALL BE THE CONTRACTOR'S RESPONSIBILITY TO NOTIFY ALL THE PUBLIC UTILITY COMPANIES (GAS, ELECTRIC, TELEPHONE, ETC.) PRIOR TO THE COMMENCEMENT OF CONSTRUCTION FOR EXACT FIELD LOCATION OF ALL UTILITIES.
3. SERVICE POLE LOCATIONS AND CONTROL CENTER LOCATIONS ARE APPROXIMATE. ACTUAL LOCATIONS SHALL BE DETERMINED BY THE ENGINEER IN THE FIELD.
4. ALL ITEMS INCLUDED IN THE PLANS OR SPECIAL PROVISIONS NOT APPEARING IN THE SUMMARY OF QUANTITIES SHALL BE CONSIDERED INCIDENTAL TO THE COST OF CONSTRUCTION.
5. GALVANIZED STEEL CONDUIT SHALL BE PLACED UNDER ALL PAVEMENT CROSSINGS OF THE SIZE AND LOCATION INDICATED ON THE PLANS. PAYMENT SHALL BE LIMITED TO THE ACTUAL WIDTH OF PAVEMENT TO BE PUSHED PLUS TWO FEET (2') ON EACH SIDE OF PAVEMENT.
6. ALL CABLE OR CONDUIT SHALL BE AS SHOWN ON THE PLANS UNLESS OTHERWISE DIRECTED BY THE ENGINEER AND SHALL BE AT A BURIAL DEPTH OF THIRTY INCHES (30") BELOW EXISTING GRADES.
7. ANY PERMANENT TYPE PAVEMENT, DRIVEWAY, OR SIDEWALK WHICH MUST BE REMOVED SHALL BE SAW CUT PRIOR TO REPLACEMENT.
8. ALL TRENCHES SHALL BE THOROUGHLY COMPACTED.
9. THE CONTRACTOR SHALL BE REQUIRED TO DISPOSE OF, OFF-SITE, ALL EXCAVATED OR EXCESS MATERIALS DUE TO CONSTRUCTION OPERATIONS, AT HIS EXPENSE. NO PAYMENT SHALL BE MADE FOR THE CONTRACTOR'S EXPENSE TO HAUL OR TRUCK THE MATERIAL TO DISTANT DUMPING SITES.



LUMINAIRE SPECIFICATIONS
 CATALOGUE NO.: K56-C-T-SAV-III-200 (MOG)
 -HPS-240
 QUANTITY: 1
 GLOBE MAT'L: CLEAR ACRYLIC
 IES CLASSIFIC.: TYPE III
 WATTAGE: 200W
 LIGHT SOURCE: HIGH PRESSURE SODIUM
 LINE VOLTAGE: 240V
 POLE ADAPTOR: 3 1/2" O.D. SLIPFITTER
 OPTIONS: #3 FINIAL

POLE SPECIFICATIONS
 CATALOGUE NO.: 175-APO-G-S40
 C/W 140-35/40

S66 LAMP BY OTHERS
 QUICK DISCONNECT
 TERMINAL BLOCK
 QUANTITY: 1
 SECTION: OCTAGONAL
 COLOUR: PEARL GRAY
 FINISH: POLISHED
 POLE TOP: 5 3/8" FL/FL
 POLE BUTT: 7 9/16" FL/FL
 POLE LENGTH: 24' 0"
 APPROX WEIGHT: 975 lbs.

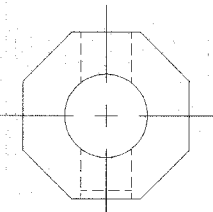
COLOUR & FINISH
 S40 PEARL GRAY
 000-0-00-LS

COATINGS REQUIRED
 -2 COATS VEX-HSFT ACRYLIC FULL LENGTH

E250-APO-G-40
 SPUN CONCRETE POLE
 OCTAGONAL, DIRECT BURIED

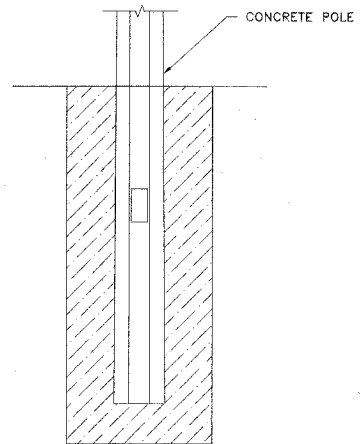
NAMEPLATE
 2 5/8" x 8" RECESSED
 POLYMER H.H.BOX
 & COVERPLATE
 C/W GROUNDWIRE &
 ALLENHEAD SCREWS
 COLOUR: BLACK

2 1/2" x 5"
 WIRING APERTURE
 BOTH SIDES



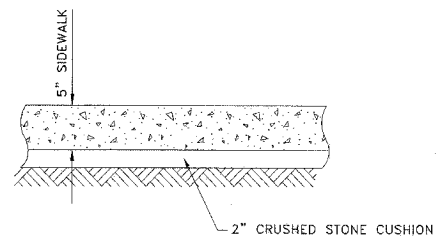
NAMEPLATE
 H.H.BOX
 THRU APERTURE
 TOP VIEW

POLE DETAIL

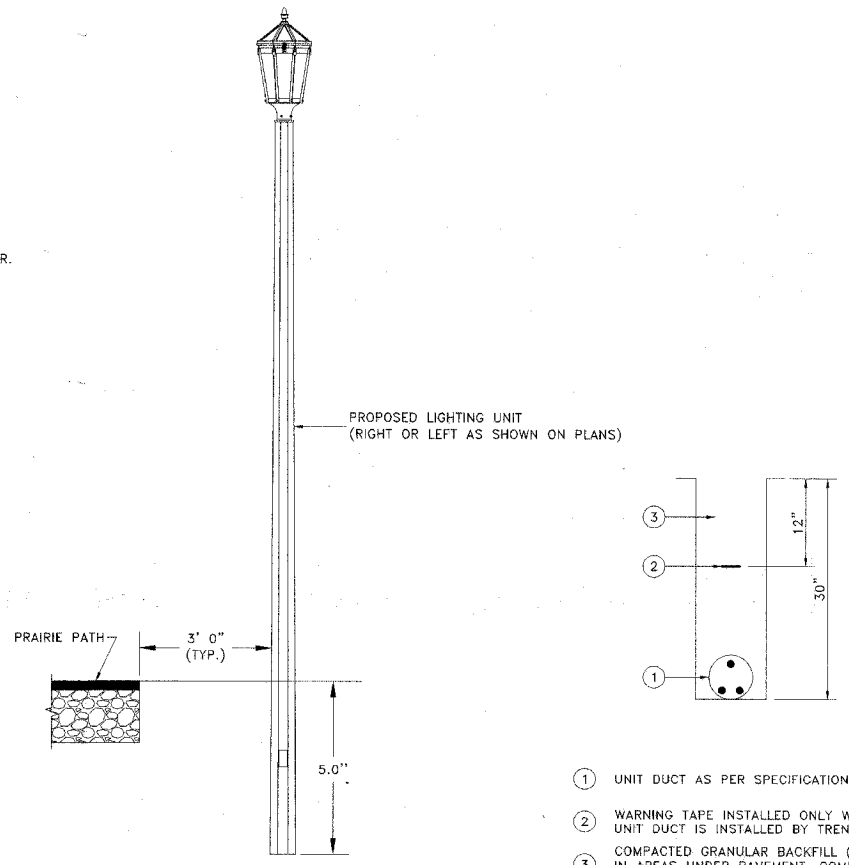


1. AUGER THE SETTING HOLE
2. SET POLE IN HOLE AND PLUMB STRAIGHT
3. BACKFILL WITH CA-16 BACKFILL, TAMPING EVERY 4" TO 6" WITH SHOVEL OR OTHER ACCEPTABLE DEVICE APPROVED BY THE ENGINEER.

FOOTING DETAIL



P.C.C. SIDEWALK, 5"



- 1 UNIT DUCT AS PER SPECIFICATIONS
- 2 WARNING TAPE INSTALLED ONLY WHEN UNIT DUCT IS INSTALLED BY TRENCHING
- 3 COMPACTED GRANULAR BACKFILL (CA-6) IN AREAS UNDER PAVEMENT. COMPACTED SELECTED BACKFILL IN TURF AREAS.

POLE LOCATION DETAIL

TYPICAL TRENCH DETAIL

Revised 8-24-07

Drawing file: W:\Projects\08003065 - Prairie Path Imprv\detail 2.dwg Aug 14, 2007 - 3:43pm