

SUMMARY OF QUANTITIES

Code No.	Item	Unit	Total Quantity	SFTY-1B	SFTY-1D	SFTY-1E
20200100	EARTH EXCAVATION	Cu Yd	100	100		
21101615	TOPSOIL, FURNISH AND PLACE, 4"	Sq Yd	650	650		
25000310	SEEDING, CLASS 4	Acre	0.5	0.5		
25100105	MULCH METHOD 1	Acre	0.5	0.5		
42400200	PORTLAND CEMENT CONCRETE SIDEWALK, 5"	Sq Ft	200	200		
44000600	SIDEWALK REMOVAL	Sq Ft	200	200		
66400405	CHAIN LINK FENCE, 7'	Lin Ft	700	700		
66408300	CHAIN LINK GATE, 7'X8' DOUBLE	Each	2	2		
66410300	CHAIN LINK FENCE REMOVAL	Lin Ft	350	350		
67100100	MOBILIZATION	LSum	1	1		
70102620	TRAFFIC CONTROL AND PROTECTION STANDARD 701501	LSum	1	1		
72000100	SIGN PANEL, TYPE I	Sq FT	2	2		
78000100	THERMOPLASTIC PAVEMENT MARKING LETTERS AND SYMBOLS	Sq Ft	32		32	
78000200	THERMOPLASTIC PAVEMENT MARKING LINE, 4	Lin Ft	200		200	
80400100	ELECTRIC SERVICE INSTALLATION	EACH	1			1
81000600	CONDUIT IN TRENCH, 2" DIAMETER GALV STEEL	Lin Ft	10			10
81100600	CONDUIT ATTACHED TO STRUCTURE, 2" DIAMETER GALVANIZED STEEL	Lin Ft	510			510
81300210	JUNCTION BOX, STAINLESS STEEL, ATTACHED TO STRUCTURE, 6X4X4	Each	6			6
81400100	HANDHOLE	Each	2			2
81603050	UNIT DUCT, 600V, 3 1/C No.6 & 1/C No.8 GROUND, (XLP-TYPE USE) 1" DIAMETER, POLYETHYLENE	Lin Ft	537			537
81702415	ELECTRICAL CABLE IN CONDUIT, 600 V, (XLP TYPE USE), 3 1/C No. 6	Lin Ft	510			510
81900200	TRENCH AND BACKFILL FOR ELECTRICAL WORK	Lin Ft	700			700
82107505	UNDERPASS LUMINAIRE, 250 WATT, HIGH PRESSURE SODIUM, ALUMINUM HOUSING	Each	11			11
X0350800	BOLLARDS	Each	4	4		
* XX007085	LIGHT POLE, CONCRETE, 20.0 FOOT MOUNTING HEIGHT, POST TOP LUMINAIRE, 240 VOLT, 200 WATT HIGH PRESSURE SODIUM LUMINAIRE AND LAMP	Each	4			4

*Revised 8-24-07

Drawing File: W:\Projects\08001085 - Prairie Path Improvements.dwg Jun 04, 2007 - 2:32pm



◆ Civil Engineers
◆ Municipal Consultants
◆ Established 1911

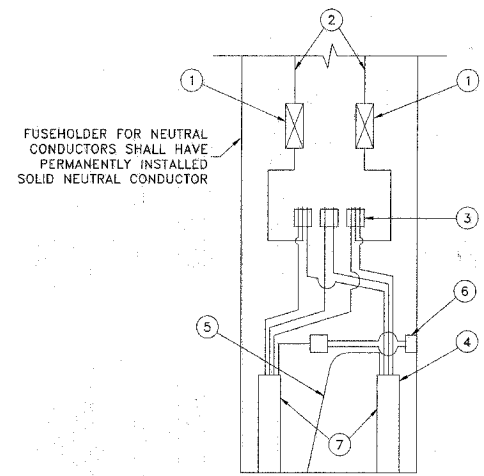
9933 Roosevelt Road
Westchester, Illinois 60154-2780
Phone: 708/865-0300
Fax: 708/865-1212

**ILLINOIS PRAIRIE PATH IMPROVEMENTS
VILLAGE OF BELLWOOD, ILLINOIS**

SUMMARY OF QUANTITIES

SCALE:	NONE	SHEET	
DRAWN BY:	MK		
BOOK NO.:	AERIAL		
AS PER IDOT REVIEW	5/31/07		
AS PER IDOT REVIEW	5/22/07		
REVISION:	DATE: 2/09/07		
E.H.E. NO.:	080-03-08580		

3 / 15



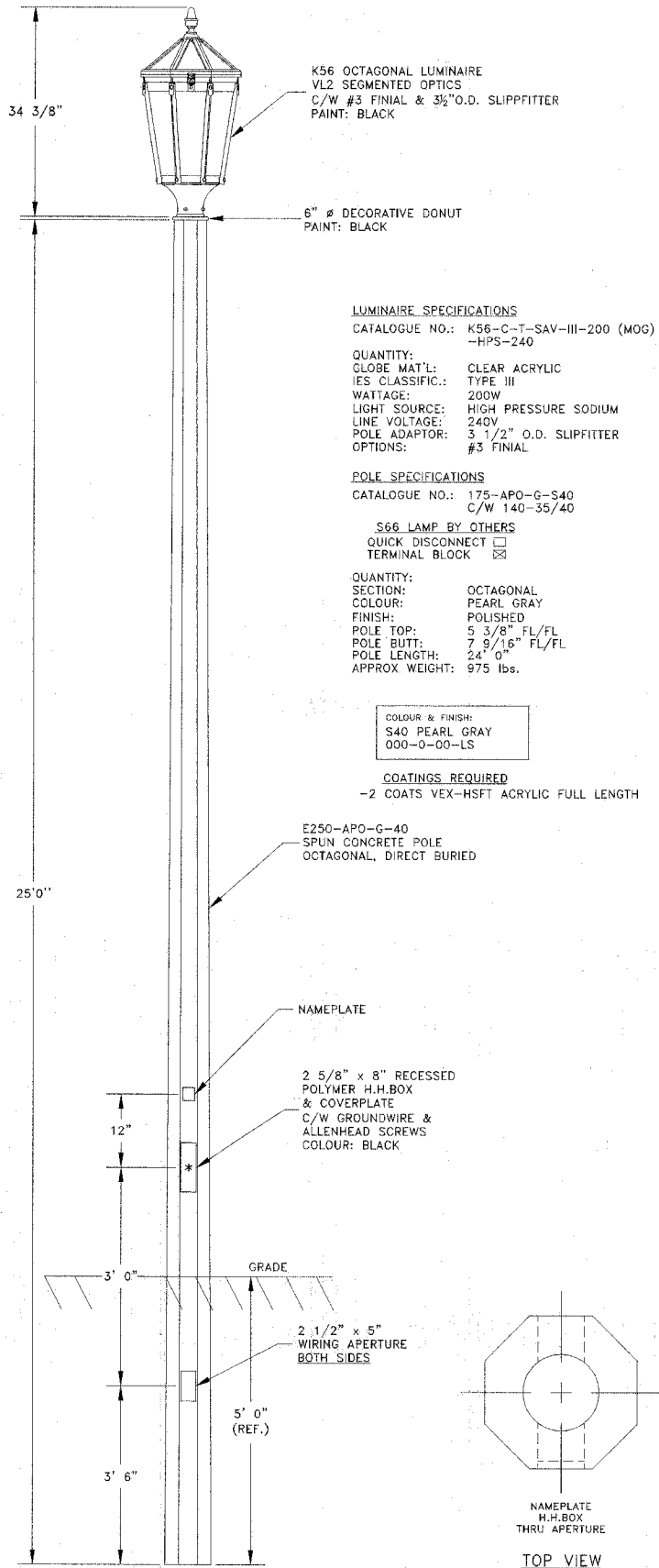
- 1 QUICK DISCONNECT STANDARD 2 POLE SMALL DIMENSION 600 VOLT FUSE HOLDERS WITH BOOTS AND FUSING (SLOW BLOW FUSE AND SOLID SLUG) FUSE SIZE TO BE 3 AMP.
- 2 NO. 10 WIRE TO LUMINAIRE
- 3 MULTIPLE COMPRESSION FITTING
- 4 1-1/4" UNIT DUCT w/3-1/C NO. 4 AND 1/C NO. 8
- 5 NEW NO. 10 GROUND WIRE TO GROUND ROD WITH EXOTHERMIC WELD
- 6 GROUND LUG
- 7 SEAL ENDS OF UNIT DUCT AGAINST THE ENTRANCE OF WATER

NOTE: ALLOW 30" LOOP OF CABLES TO INSURE SUFFICIENT SLACK FOR WITHDRAWAL OF THE CONNECTORS OUTSIDE OF THE POLE HANDHOLE.

POLE HANDHOLE WIRING DIAGRAM

ILLUMINATION GENERAL NOTES

1. THE LATEST EDITIONS OF THE "STANDARD SPECIFICATIONS FOR ROAD AND BRIDGE CONSTRUCTION" PREPARED BY THE ILLINOIS DEPARTMENT OF TRANSPORTATION AND THE SUPPLEMENTAL "SPECIAL PROVISIONS" SHALL GOVERN ALL WORK ASSOCIATED WITH THIS PROJECT.
2. THE LOCATIONS OF THE UTILITIES AS SHOWN ON THE PLANS ARE APPROXIMATE ONLY AND MUST BE VERIFIED BY EACH RESPECTIVE UTILITY COMPANY. IT SHALL BE THE CONTRACTOR'S RESPONSIBILITY TO NOTIFY ALL THE PUBLIC UTILITY COMPANIES (GAS, ELECTRIC, TELEPHONE, ETC.) PRIOR TO THE COMMENCEMENT OF CONSTRUCTION FOR EXACT FIELD LOCATION OF ALL UTILITIES.
3. SERVICE POLE LOCATIONS AND CONTROL CENTER LOCATIONS ARE APPROXIMATE. ACTUAL LOCATIONS SHALL BE DETERMINED BY THE ENGINEER IN THE FIELD.
4. ALL ITEMS INCLUDED IN THE PLANS OR SPECIAL PROVISIONS NOT APPEARING IN THE SUMMARY OF QUANTITIES SHALL BE CONSIDERED INCIDENTAL TO THE COST OF CONSTRUCTION.
5. GALVANIZED STEEL CONDUIT SHALL BE PLACED UNDER ALL PAVEMENT CROSSINGS OF THE SIZE AND LOCATION INDICATED ON THE PLANS. PAYMENT SHALL BE LIMITED TO THE ACTUAL WIDTH OF PAVEMENT TO BE PUSHED PLUS TWO FEET (2') ON EACH SIDE OF PAVEMENT.
6. ALL CABLE OR CONDUIT SHALL BE AS SHOWN ON THE PLANS UNLESS OTHERWISE DIRECTED BY THE ENGINEER AND SHALL BE AT A BURIAL DEPTH OF THIRTY INCHES (30") BELOW EXISTING GRADES.
7. ANY PERMANENT TYPE PAVEMENT, DRIVEWAY, OR SIDEWALK WHICH MUST BE REMOVED SHALL BE SAW CUT PRIOR TO REPLACEMENT.
8. ALL TRENCHES SHALL BE THOROUGHLY COMPACTED.
9. THE CONTRACTOR SHALL BE REQUIRED TO DISPOSE OF, OFF-SITE, ALL EXCAVATED OR EXCESS MATERIALS DUE TO CONSTRUCTION OPERATIONS, AT HIS EXPENSE. NO PAYMENT SHALL BE MADE FOR THE CONTRACTOR'S EXPENSE TO HAUL OR TRUCK THE MATERIAL TO DISTANT DUMPING SITES.



LUMINAIRE SPECIFICATIONS
 CATALOGUE NO.: K56-C-T-SAV-III-200 (MOG)
 -HPS-240
 QUANTITY: 1
 GLOBE MAT'L: CLEAR ACRYLIC
 IES CLASSIFIC.: TYPE III
 WATTAGE: 200W
 LIGHT SOURCE: HIGH PRESSURE SODIUM
 LINE VOLTAGE: 240V
 POLE ADAPTOR: 3 1/2" O.D. SLIPFITTER
 OPTIONS: #3 FINIAL

POLE SPECIFICATIONS
 CATALOGUE NO.: 175-APO-G-S40
 C/W 140-35/40
 S66 LAMP BY OTHERS
 QUICK DISCONNECT
 TERMINAL BLOCK

QUANTITY: 1
 SECTION: OCTAGONAL
 COLOUR: PEARL GRAY
 FINISH: POLISHED
 POLE TOP: 5 3/8" FL/FL
 POLE BUTT: 7 9/16" FL/FL
 POLE LENGTH: 24' 0"
 APPROX WEIGHT: 975 lbs.

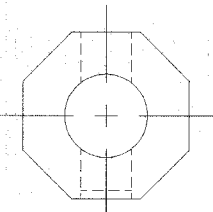
COLOUR & FINISH:
 S40 PEARL GRAY
 000-0-00-LS

COATINGS REQUIRED
 -2 COATS VEX-HSFT ACRYLIC FULL LENGTH

E250-APO-G-40
 SPUN CONCRETE POLE
 OCTAGONAL, DIRECT BURIED

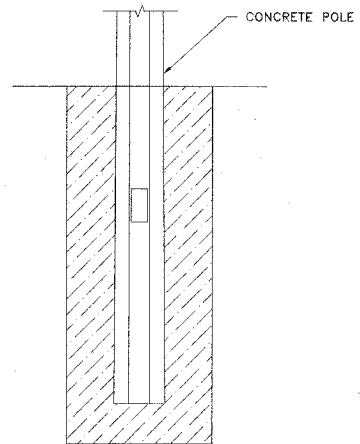
NAMEPLATE
 2 5/8" x 8" RECESSED
 POLYMER H.H.BOX
 & COVERPLATE
 C/W GROUNDWIRE &
 ALLENHEAD SCREWS
 COLOUR: BLACK

2 1/2" x 5"
 WIRING APERTURE
 BOTH SIDES



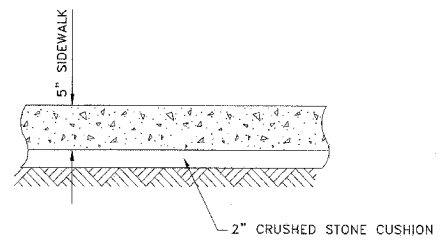
NAMEPLATE
 H.H.BOX
 THRU APERTURE
 TOP VIEW

POLE DETAIL

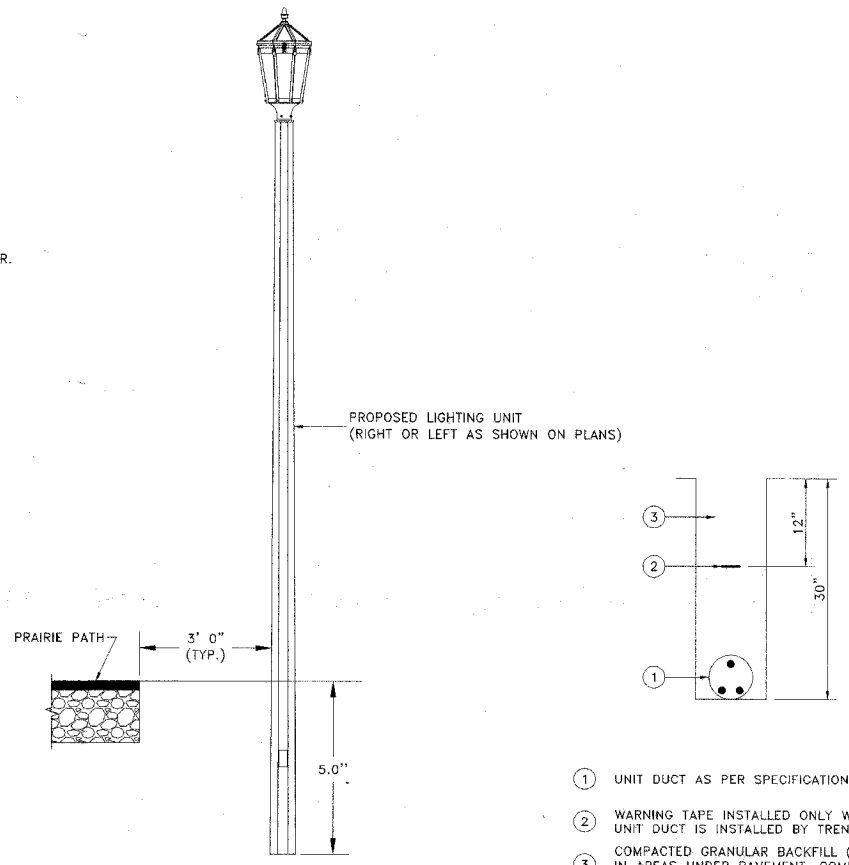


1. AUGER THE SETTING HOLE
2. SET POLE IN HOLE AND PLUMB STRAIGHT
3. BACKFILL WITH CA-16 BACKFILL, TAMPING EVERY 4" TO 6" WITH SHOVEL OR OTHER ACCEPTABLE DEVICE APPROVED BY THE ENGINEER.

FOOTING DETAIL



P.C.C. SIDEWALK, 5"



POLE LOCATION DETAIL

TYPICAL TRENCH DETAIL

- 1 UNIT DUCT AS PER SPECIFICATIONS
- 2 WARNING TAPE INSTALLED ONLY WHEN UNIT DUCT IS INSTALLED BY TRENCHING
- 3 COMPACTED GRANULAR BACKFILL (CA-6) IN AREAS UNDER PAVEMENT. COMPACTED SELECTED BACKFILL IN TURF AREAS.

Revised 8-24-07

Drawing file: W:\Projects\08003065 - Prairie Path Imprv.dwg Aug 14, 2007 3:43pm