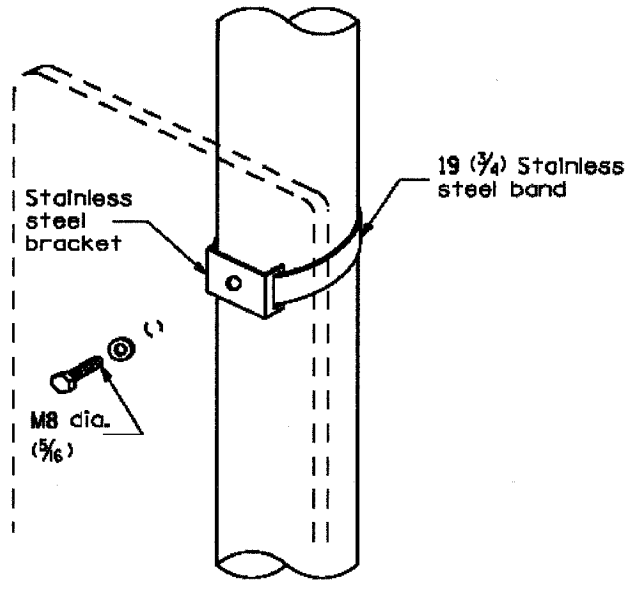
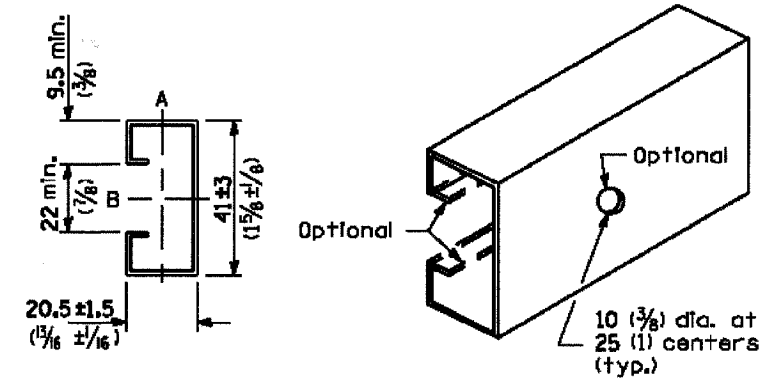


Sign panel 900 (36) wide or less

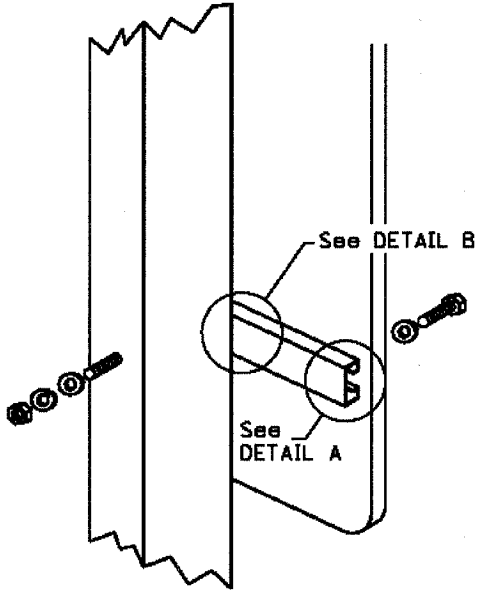


Sign panel 900 (36) wide or less

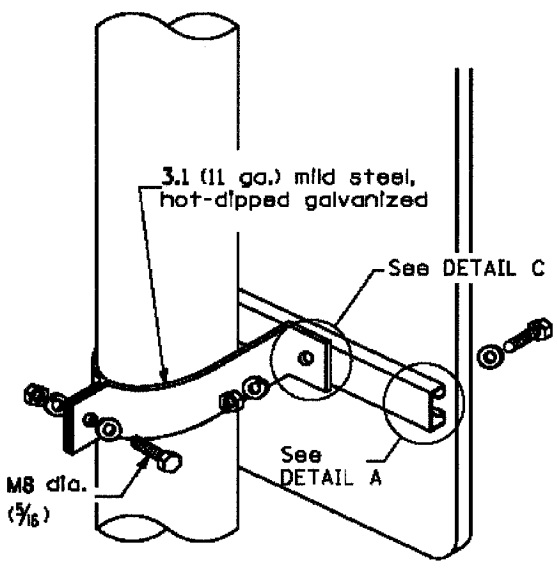
Section modulus (minimum)	Axis A	Axis B
Steel	819 mm ³ (0.050 in. ³)	1720 mm ³ (0.105 in. ³)
Aluminum	2458 mm ³ (0.150 in. ³)	5162 mm ³ (0.315 in. ³)



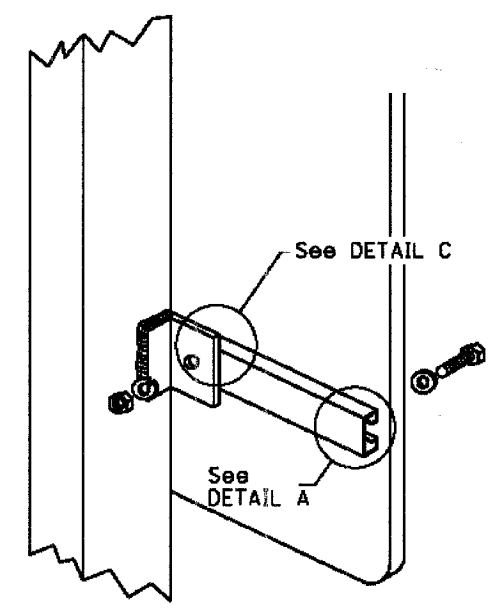
SUPPORTING CHANNEL DETAILS



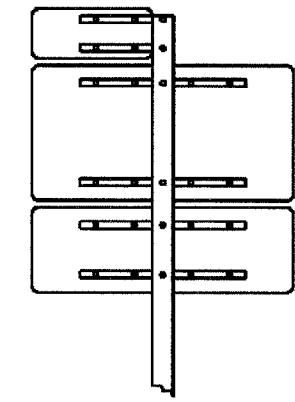
Sign panel over 900 (36) wide



Sign panel over 900 (36) wide



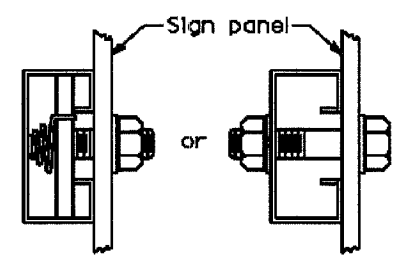
BREAKAWAY STEEL TUBING POSTS
(All sign panel sizes)



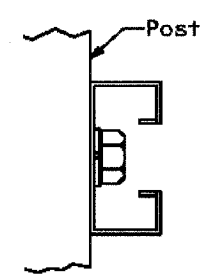
ROUTE MARKER ASSEMBLY

WOOD OR TELESCOPING STEEL POSTS

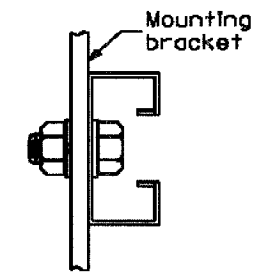
LIGHT OR SIGNAL STANDARDS



DETAIL A



DETAIL B



DETAIL C

All dimensions are in millimeters (inches) unless otherwise shown.

HANCOCK ENGINEERING
 Civil Engineers
 Municipal Consultants
 Established 1911
 9933 Roosevelt Road
 Westchester, Illinois 60154-2780
 Phone: 708/965-8100
 Fax: 708/965-1212

REVISIONS	
NAME	DATE
M. DE YOUNG	06/13/90
M. DE YOUNG	07/03/90
M. DE YOUNG	3/27/92
R. SHAH	09/09/94
R. SHAH	10/25/94
A. ABBAS	03/21/97
M. GOMEZ	04/06/01

ILLINOIS DEPARTMENT OF TRANSPORTATION

SIGN PANEL MOUNTING DETAILS

SCALE: NONE
 DATE: 03/25/02
 DRAWN BY: CADD
 CHECKED BY: