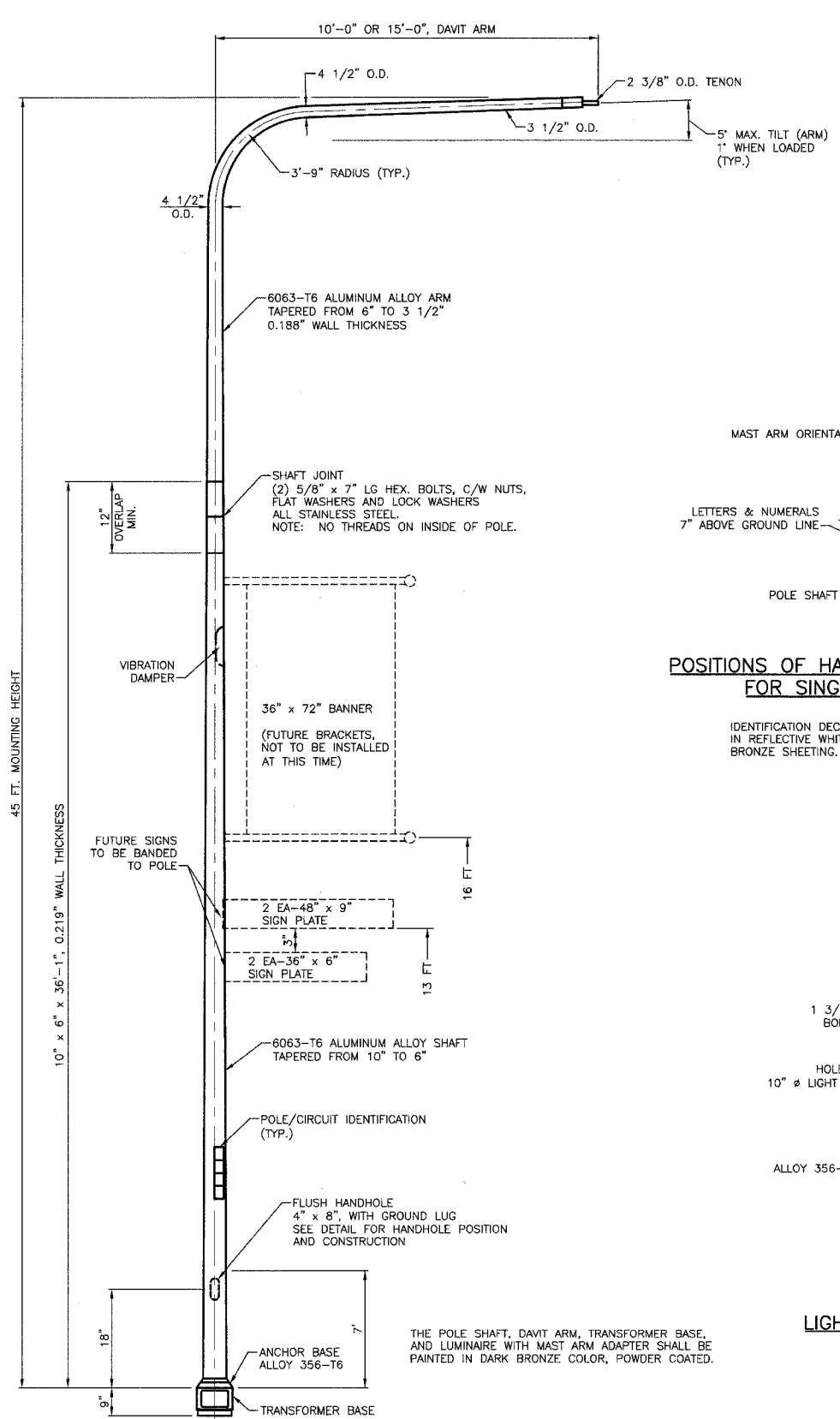
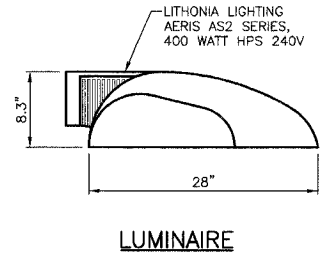


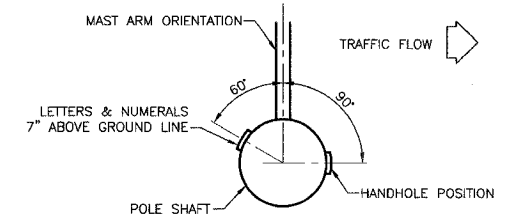
SECTION	COUNTY	TOTAL SHEETS	SHEET NO.
06-00052-00-LT	COOK	10	7
BUSSE ROAD (IL 83)			
LIGHTING DETAILS			



DAVIT ARM POLE

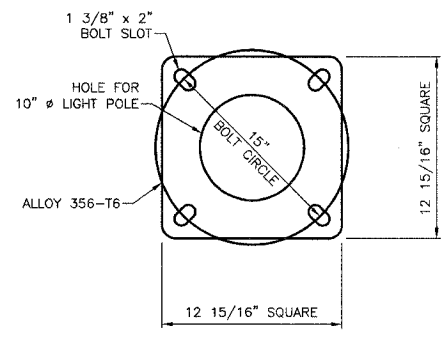


LUMINAIRE



POSITIONS OF HANDHOLE AND POLE NUMBER FOR SINGLE MAST ARM POLES

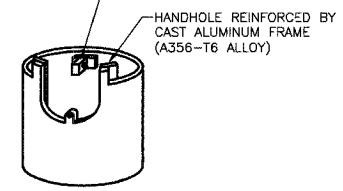
IDENTIFICATION DECALS - LETTER AND NUMERALS SHALL BE IN REFLECTIVE WHITE ON PRESSURE SENSITIVE REFLECTIVE BRONZE SHEETING.



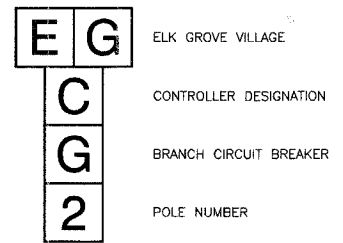
LIGHT POLE BASE PLATE DETAIL

THE POLE SHAFT, DAVIT ARM, TRANSFORMER BASE, AND LUMINAIRE WITH MAST ARM ADAPTER SHALL BE PAINTED IN DARK BRONZE COLOR, POWDER COATED.

ALUMINUM T-STOCK EXTRUSION DRILLED FOR 1/2" - 13 THRU BOLT SUITABLE FOR U.L. LISTED GROUND CONNECTOR WELDED @ 180° TO RIGHT OF HANDHOLE & 18" UP FROM BUTT

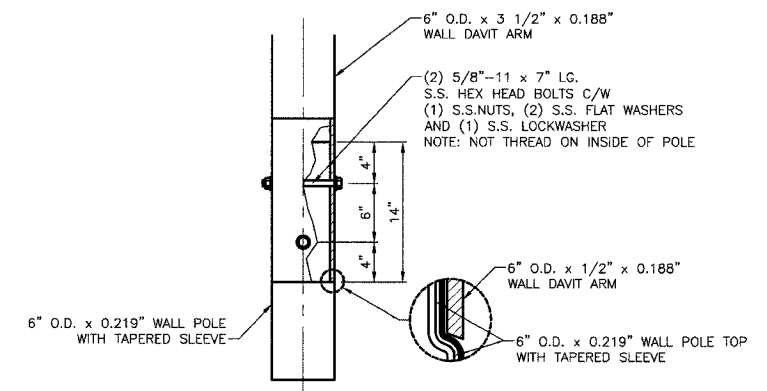


HANDHOLE AND GROUND LUG DETAIL

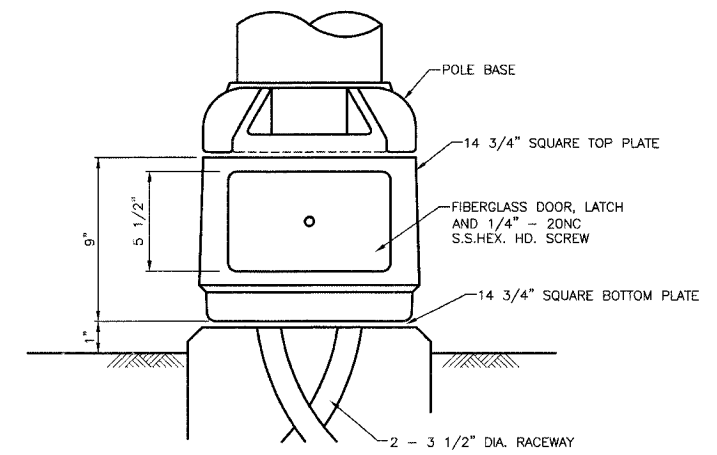


POLE NUMBERING TYP.

ELK GROVE VILLAGE  
CONTROLLER DESIGNATION  
BRANCH CIRCUIT BREAKER  
POLE NUMBER



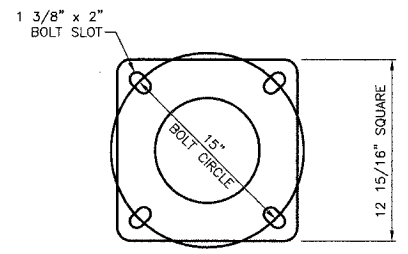
DAVIT ARM CONNECTION (14" OVERLAP SHOWN)



BREAKAWAY DEVICE, TRANSFORMER BASE

THE BREAKAWAY TRANSFORMER BASE SHALL HAVE A LISTING OF APPROVAL BY FHWA COMPLIANCE TO 1985 AASHTO REQUIREMENTS.

- NOTES:
- MOUNTING HEIGHT IS DEFINED AS THE DISTANCE FROM THE CENTERLINE OF THE TENON TO THE BOTTOM OF THE ANCHOR BASE.
  - BOLT SLOTS WILL BE 1 3/8" x 2" CENTERED.
  - TWO PIECE SHAFT WILL BE MATCH MARKED AND INTERCHANGEABLE BETWEEN DIFFERENT UNITS. STUD BOLT WILL BE 5/8" DIA. WITH NUT, FLAT WASHER, AND LOCK WASHER. THERE WILL BE NO THREADS ON THE BOLT INSIDE THE POLE SHAFT.
  - THE LIGHT POLE SHALL MEET A.A.S.H.T.O. DESIGN CRITERIA.



TOP/BOTTOM DETAIL TRANSFORMER BASE

REVISIONS	
NAME	DATE

ILLINOIS DEPARTMENT OF TRANSPORTATION  
BUSSE ROAD (IL 83)  
ROADWAY LIGHTING  
LIGHTING DETAILS

