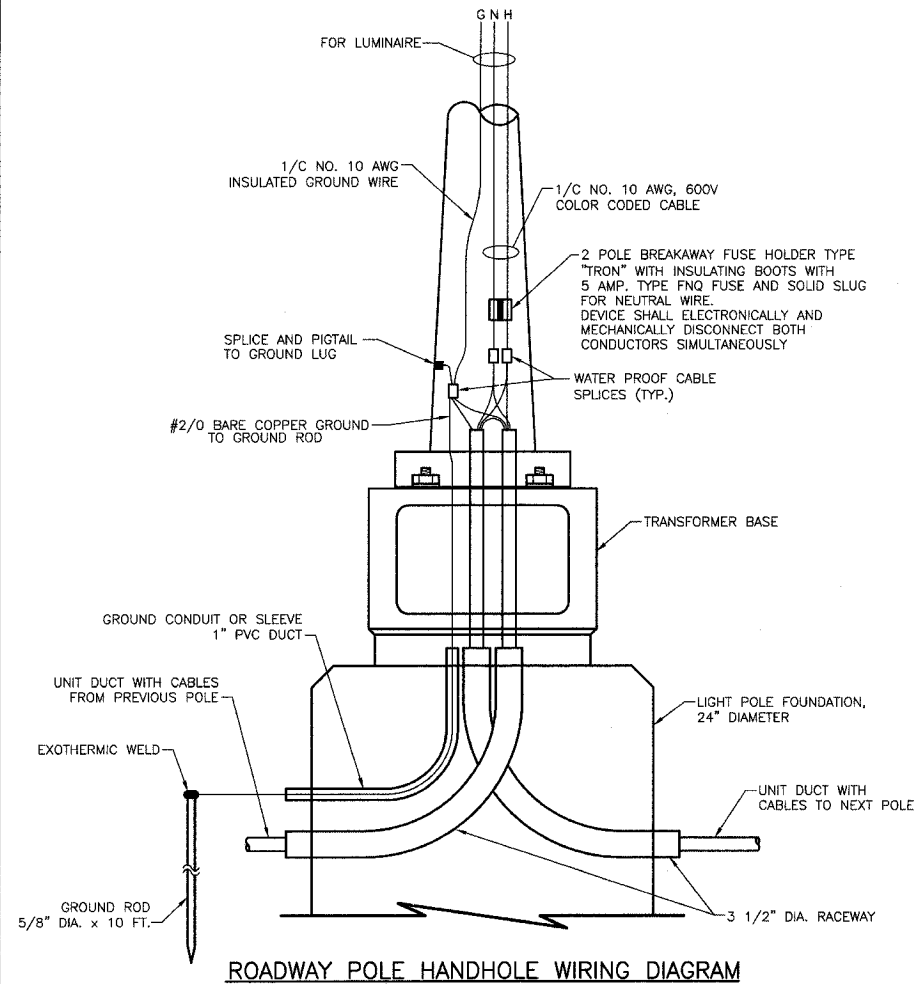
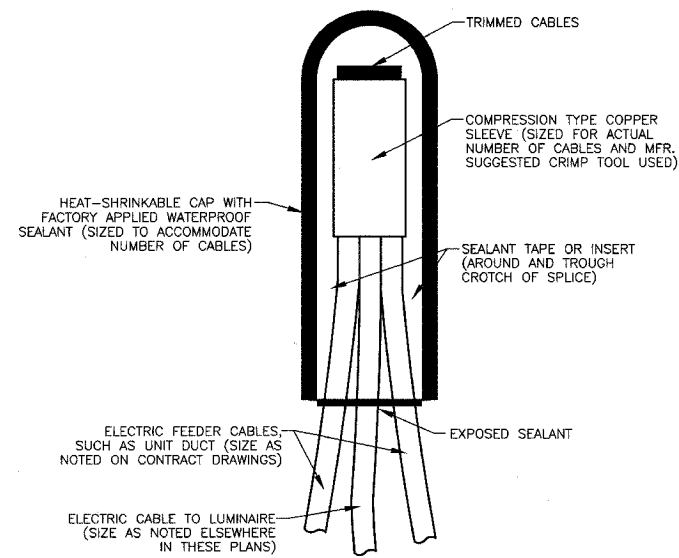


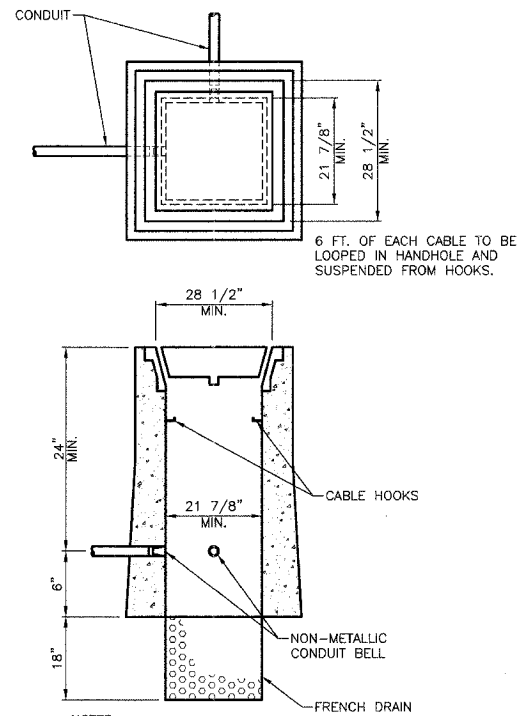
SECTION	COUNTY	TOTAL SHEETS	SHEET NO.
06-00052-00-LT	COOK	10	10
BUSSE ROAD (IL 83)			
LIGHTING DETAILS			



ROADWAY POLE HANDHOLE WIRING DIAGRAM

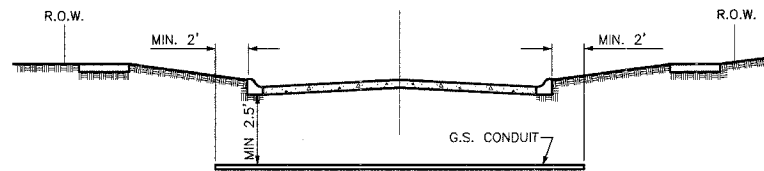


NOTE: NUMBER OF CABLES IN SPLICE MAY VARY
SPlicing ELECTRIC Cables
BASIC MATERIALS AND METHODS



- NOTES:
- COVER SHALL HAVE "STREET LIGHTING" CAST INTO LID.
 - FRAMES SHALL BE FURNISHED WITH TYPE "G" LIFTING HANDLES AND TYPE "H" HINGES WITH A SAFETY BAR.
 - FRAME SHALL BE GROUNDED PER N.E.C.

STANDARD HANDHOLE



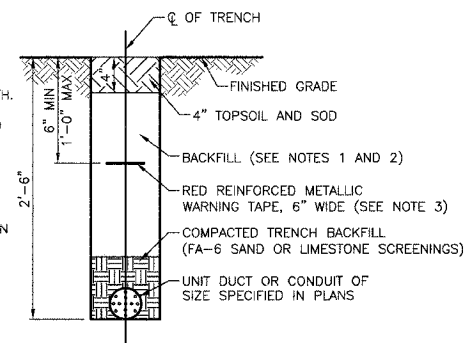
STREET CROSSING

- CONDUIT SHALL BE HEAVY WALL RIGID G.S. CONDUIT.
- CONDUIT SHALL EXTEND A MINIMUM OF 2 FT. BEYOND BACK OF CURB.
- CONDUIT SHALL BE A MINIMUM OF 2.5 FT. BELOW BOTTOM OF CURB.

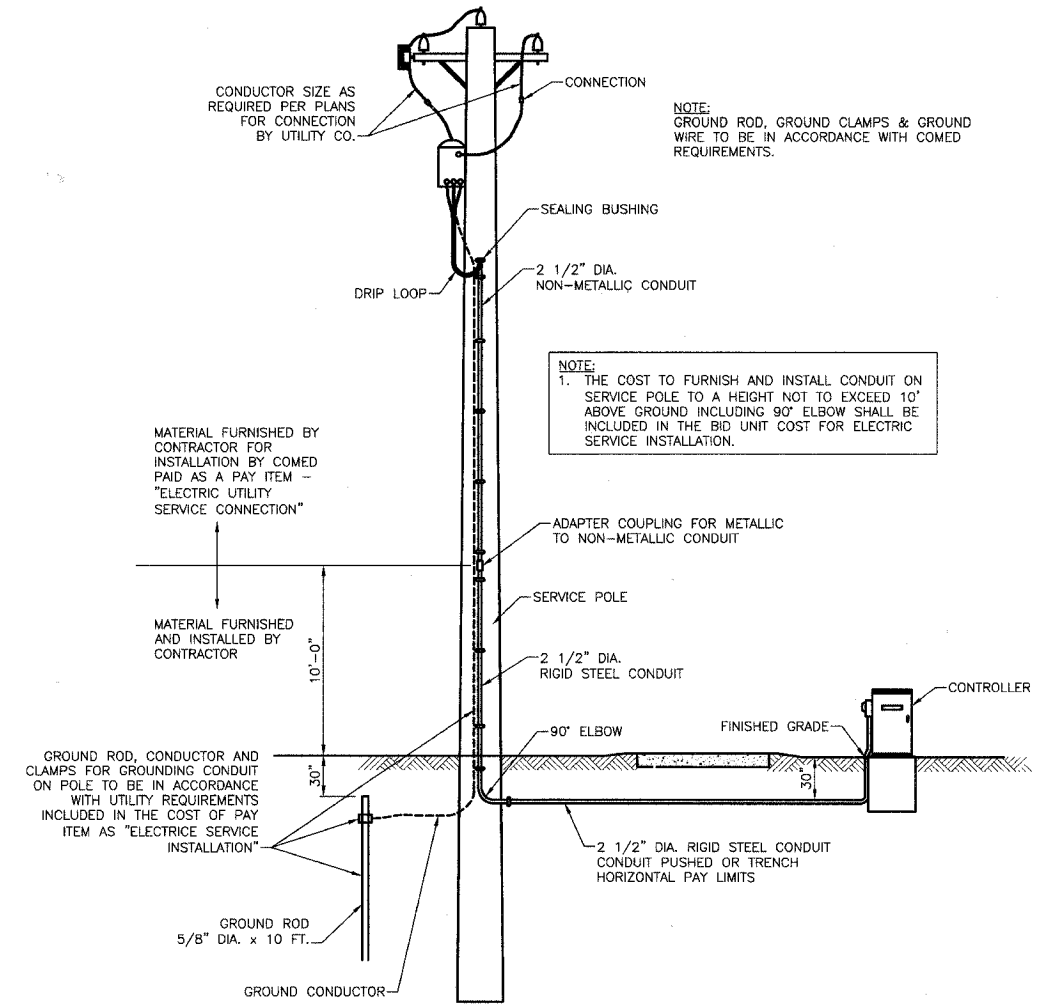
ELECTRICAL CONDUIT UNDER PAVEMENT

NOTES:

- IN GRASS COVERED AREAS, THE BACKFILL MAY BE COMPACTED EARTH.
- TRENCHES WITHIN 2' OF PROPOSED OR EXISTING STREETS, DRIVEWAYS, OR SIDEWALKS WILL BE BACKFILLED WITH COMPACTED FA-6 SAND OR LIMESTONE SCREENINGS.
- WARNING TAPE WILL BE RED WITH BLACK LETTERING TO READ "CAUTION - ELECTRIC LINE BURIED BELOW".
- ALL GRASS COVERED AREAS DISTURBED DURING CONSTRUCTION WILL BE RESTORED WITH 4" OF TOPSOIL AND SOD.



TYPICAL TRENCH CROSS SECTION



PROPOSED SERVICE INSTALLATION
POLE TOP MOUNTED TRANSFORMER

REVISIONS	
NAME	DATE

ILLINOIS DEPARTMENT OF TRANSPORTATION
BUSSE ROAD (IL 83)
ROADWAY LIGHTING
LIGHTING DETAILS

DATE: 07/10/2007
CHECKED BY: D.N.M.