

DRAINAGE STRUCTURE SCHEDULE

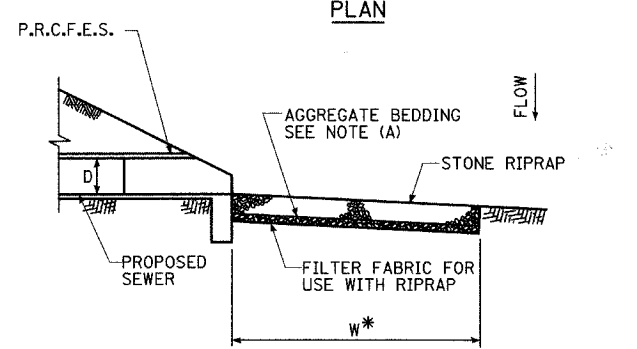
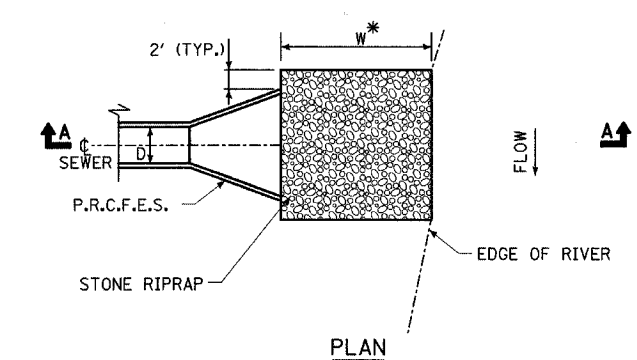
STRUCTURE NUMBER	STATION	OFFSET	STRUCTURE TYPE		DIA. (FT)	FRAME & LID	TOP OF FRAME	N INV.	E INV.	S INV.	W INV.
			MH/ES	CB							
1	2+42.52	35.0 LT	FES(1)		12(1)						646.39
11	1+75.00	16.5 RT		A	4	T11 OL	657.23		650.96		
12	2+05.00	16.7 RT		A	4	T11 F&G	657.42	650.70		648.70	650.70
13	2+01.40	16.8 LT		A	4	T11 F&G	657.40			650.97	
NOT USED	NOT USED										
15	4+03.00	16.7 RT		A	4	T11 F&G	657.41		652.52		
16	4+03.00	16.7 LT		A	4	T11 F&G	657.41		652.02		
17	4+59.00	16.5 RT		A	4	T11 F&G	657.08	651.96			651.96
18	4+60.79	16.5 LT		A	4	T11 F&G	657.07		651.46	651.46	651.46
19	5+41.67	24.0 LT	A		4	T11 CL	656.79	650.40		650.40	650.63

STORM SEWER SCHEDULE

PIPE NUMBER	UPSTREAM STATION	DOWNSTREAM STATION	TYPE	DIA. (IN)	LENGTH (FT)	SLOPE (%)	.B. (CU.YD)
21	1+75.00	2+05.00	2	12	26	1.00	20.2
22	2+01.40	2+05.00	2	12	27	1.00	21.4
23	2+05.00	2+05.00	2	12	18	1.67	4.5
24	4+03.00	4+59.00	2	12	52	1.00	3.4
25	4+59.00	4+60.79	2	12	27	1.00	7.1
26	4+03.00	4+60.79	2	12	52	1.00	2.9
27	4+60.79	5+41.67	2	12	80	1.00	29.2

NOTES:

- (1) FES=FLARED END SECTION. SIZE NOTED IN SCHEDULE IS GIVEN IN INCHES.
- (2) SEE THE DRAINAGE & UTILITY PLANS FOR LOCATION OF ALL STRUCTURES.
- (3) CATCH BASIN STATIONS AND OFFSETS ARE MEASURED TO EDGE OF PAVEMENT. (SEE BELOW)
- (4) THE STATION/OFFSET/ELEVATION NOTED FOR ALL DRAINAGE STRUCTURES LOCATED IN THE CURB LINE AND/OR SHOULDER REFER TO THE POSITION OF THE ADJACENT PROPOSED EDGE OF PAVEMENT OR EDGE OF SHOULDER AS APPLICABLE. THE CONTRACTOR SHALL BE RESPONSIBLE FOR DETERMINING THE OFFSET NECESSARY FOR THE STRUCTURES TO SET THE FRAME AND GRATE IN THE PROPOSED LOCATION. THE STATION/OFFSET FOR ALL OTHER DRAINAGE STRUCTURES ARE DIMENSIONED TO THE CENTER OF STRUCTURE AND ELEVATION TO TOP OF GRATE.



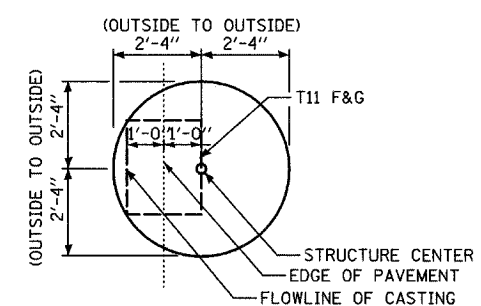
SECTION A-A
OUTLET PERPENDICULAR TO FLOW

RIPRAP DETAILS

*W-SEE DRAINAGE PLANS FOR DIMENSIONS

NOTE:

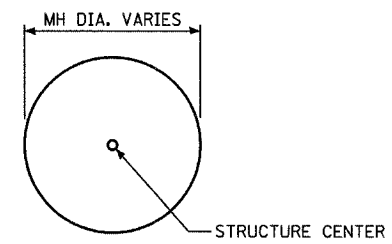
(A) THE COST OF AGGREGATE BEDDING SHALL BE INCLUDED IN THE COST OF RIPRAP PER SQUARE YARD.



CATCH BASIN

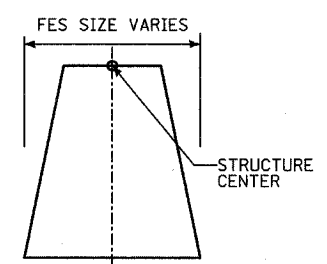
(PRECAST REINFORCED CONCRETE SECTION)

- (5) MANHOLE STATIONS AND OFFSETS ARE MEASURED TO CENTER OF STRUCTURE. (SEE BELOW)



MANHOLE

- (6) FLARED END SECTION STATIONS AND OFFSETS ARE MEASURED TO CENTER OF STRUCTURE. (SEE BELOW)



FES

LEGEND:


P.R.C.F.E.S.=PRECAST REINFORCED CONCRETE
FLARED END SECTION
D=SEWER DIAMETER

REVISIONS	
NAME	DATE

BRIDGE REHABILITATION
BAILEY ROAD OVER
WEST BRANCH OF THE DUPAGE RIVER

DRAINAGE SCHEDULES
AND DETAILS

CONSULTANT
TYLIN INTERNATIONAL

City of  **Naperville**

DRAWN: RTM
CHECKED: NB
APPROVED:
DATE: JULY 13, 2007
SCALE: NONE
JOB NO.: C-91-062-04

SHEET NO.
17
PROJECT NO.: BHM-8003(343)