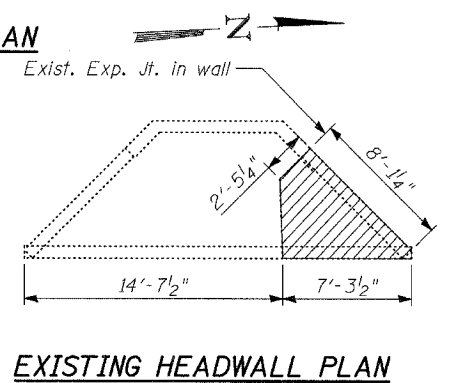
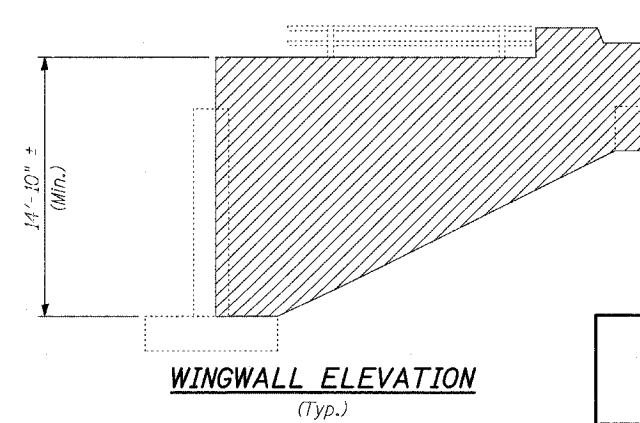
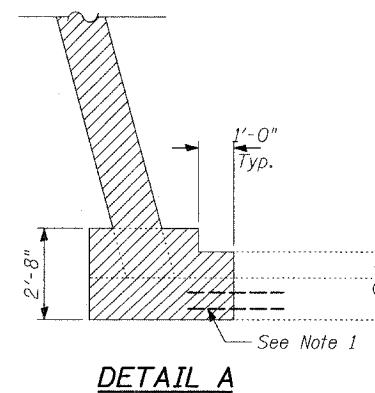
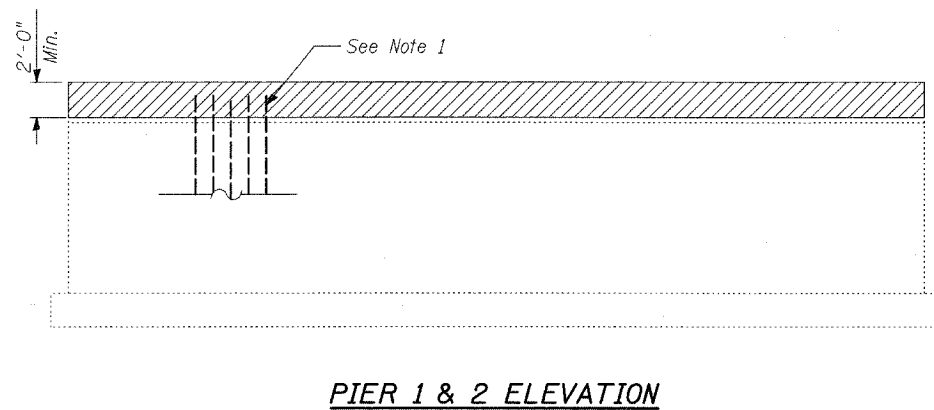
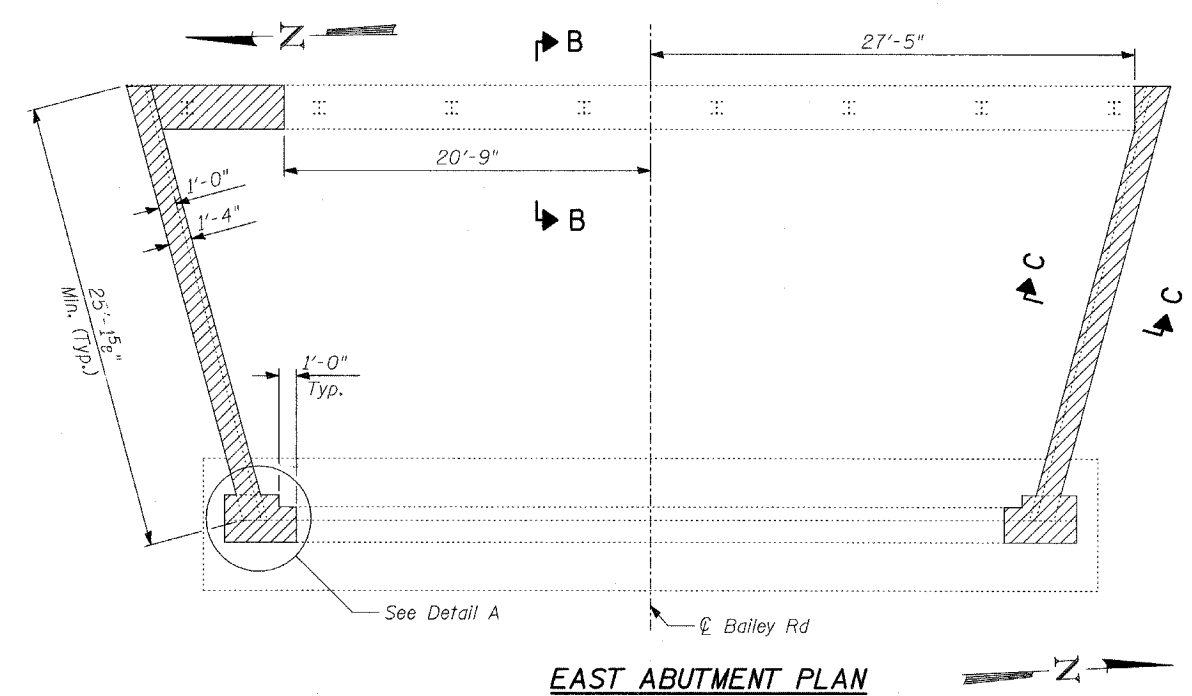
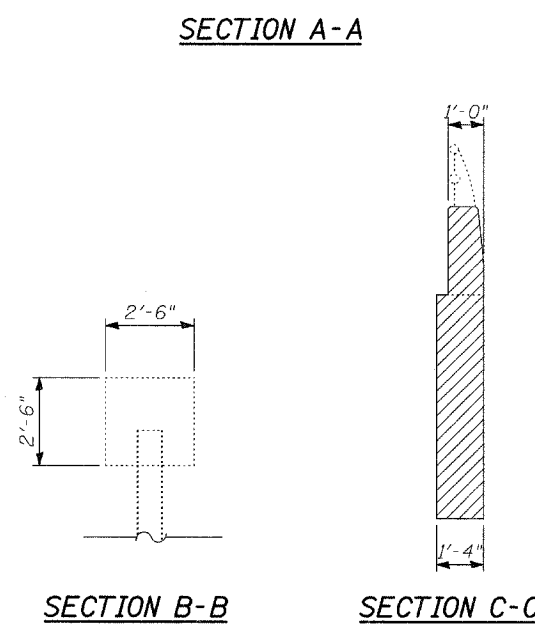
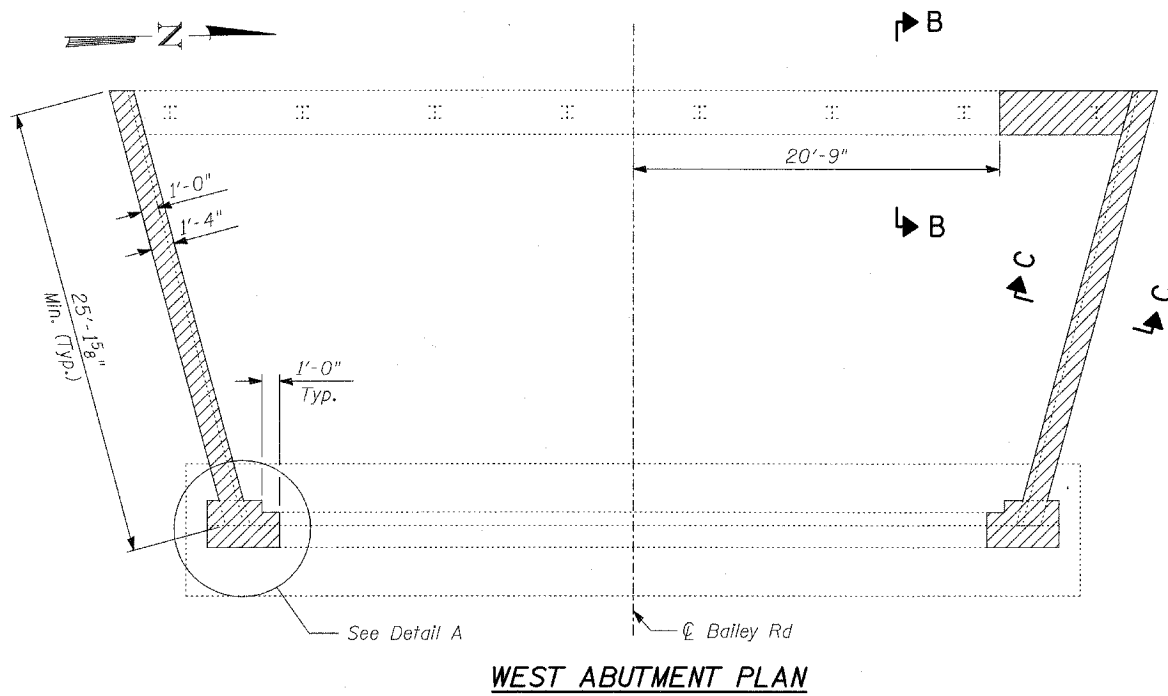
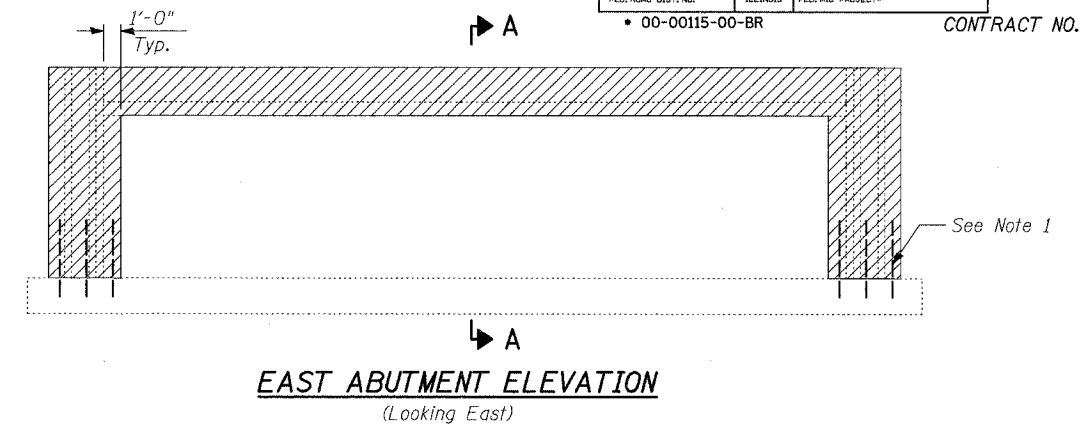
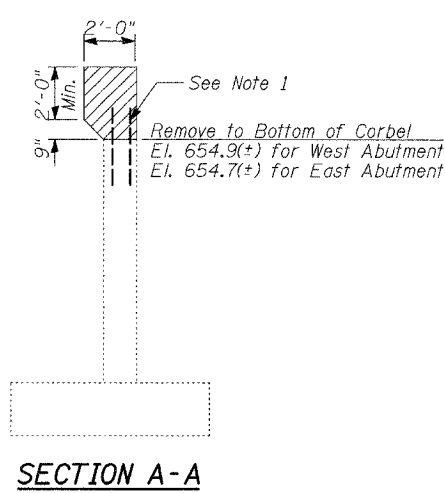
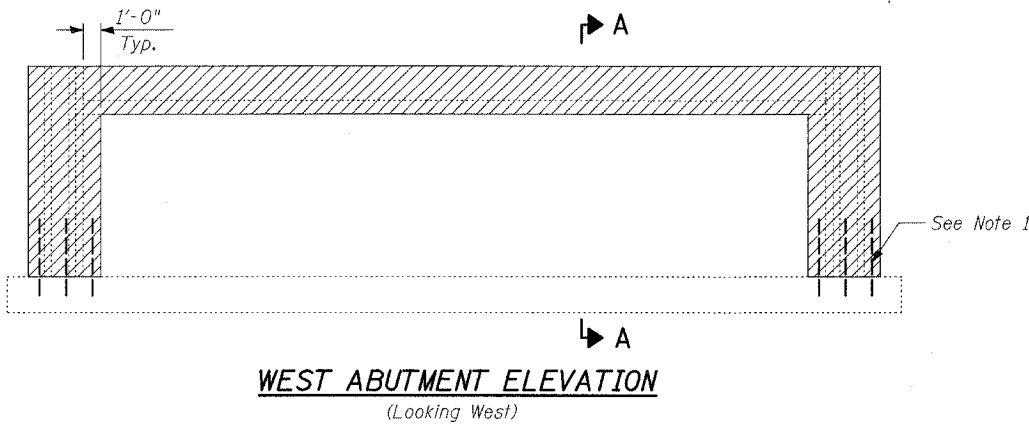


STATE OF ILLINOIS
DEPARTMENT OF TRANSPORTATION

ROUTE NO.	SECTION	COUNTY	TOTAL SHEETS	SHEET NO.	SHEET NO. - 3
1545	*	DUPAGE	97	24	39 - SHEETS
FED. ROAD DIST. NO.	ILLINOIS	FED. AID PROJECT-	CONTRACT NO. 83961		
* 00-00115-00-BR					



TYLIN INTERNATIONAL

DESIGNED	- DE
CHECKED	- SP
DRAWN	- DE
CHECKED	- SP

LEGEND
Concrete Removal

BILL OF MATERIAL

ITEM	UNIT	TOTAL
Concrete Removal	CU YD	110.5

NOTES:

- Existing reinforcement extending into the removal area shall be cleaned, straightened and incorporated into the new construction. Any reinforcement bars that are damaged during concrete removal shall be replaced with an approved bar splicer or anchorage system. Cost shall be included with Concrete Removal.
- Existing structure plans provided for reference. See Sheets 61-66.

SUBSTRUCTURE REMOVAL DETAILS

BAILEY ROAD OVER THE
WEST BRANCH OF THE DUPAGE RIVER
FAU 1545
SECTION 00-00115-00-BR STA. 2+99.15
DUPAGE COUNTY
S.N. 022-3028