

STATE OF ILLINOIS  
DEPARTMENT OF TRANSPORTATION

|                     |          |                   |                    |           |                              |
|---------------------|----------|-------------------|--------------------|-----------|------------------------------|
| ROUTE NO.           | SECTION  | COUNTY            | TOTAL SHEETS       | SHEET NO. | SHEET NO. - 6<br>39 - SHEETS |
| 1545                | •        | DUPAGE            | 97                 | 27        |                              |
| FED. ROAD DIST. NO. | ILLINOIS | FED. AID PROJECT- | CONTRACT NO. 83961 |           |                              |

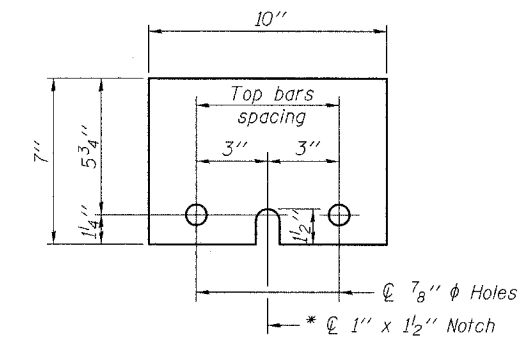
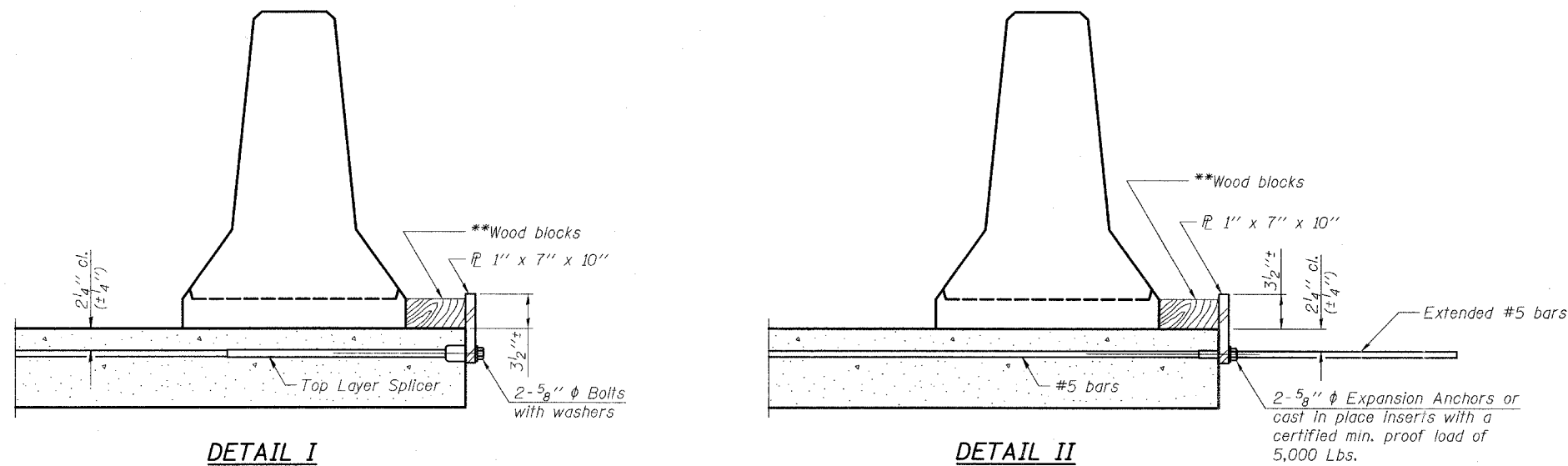
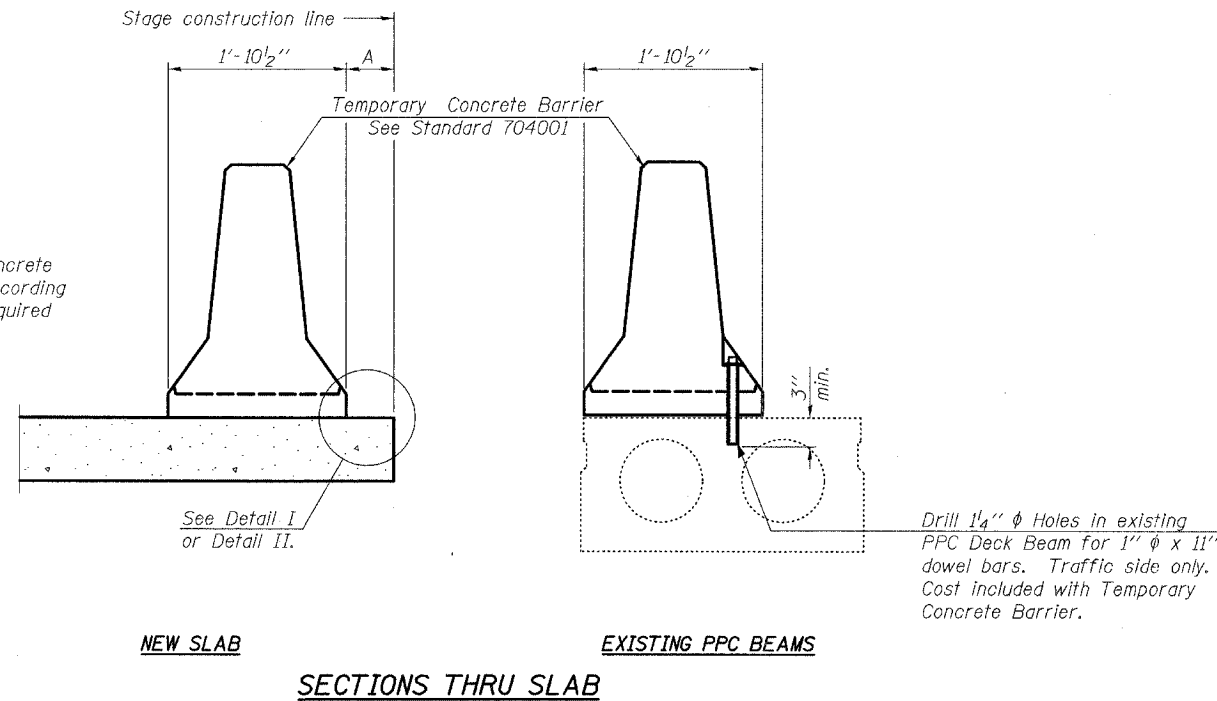
NOTES

Detail I - With Bar Splicer or Couplers:  
Connect one (1) 1"x7"x10" steel  $\bar{P}$  to the top layer of couplers with 2-5/8"  $\phi$  bolts screwed to coupler at approximate  $\bar{C}$  of each barrier panel.

Detail II - With Extended Reinforcement Bars:  
Connect one (1) 1"x7"x10" steel  $\bar{P}$  to the concrete slab with 2-5/8"  $\phi$  Expansion Anchors or cast in place inserts spaced between the top layer of reinforcement at approximate  $\bar{C}$  of each barrier panel.

Cost of anchorage is included with Temporary Concrete Barrier.  
The 1" x 7" x 10" plate shall not be removed until stage II construction forms and all reinforcement bars are in place and the concrete is ready to be placed.

When "A" is 3'-6" or less, the temporary concrete barrier shall be anchored to the new slab according to Detail I or Detail II. No anchorage is required when "A" is greater than 3'-6".



STEEL RETAINER  $\bar{P}$  1" x 7" x 10"

\* Required only with Detail II

\*\* Wood blocks may be omitted when required to provide minimum stage traffic lane width. When the wood blocks are omitted, the concrete barrier shall be in direct contact with the steel retainer plate.

TYLIN INTERNATIONAL

|          |   |     |
|----------|---|-----|
| DESIGNED | - | SNB |
| CHECKED  | - | SP  |
| DRAWN    | - | SNB |
| CHECKED  | - | SP  |

TEMPORARY CONCRETE BARRIER

BAILEY ROAD OVER THE  
WEST BRANCH OF THE DUPAGE RIVER  
FAU 1545  
SECTION 00-00115-00-BR STA. 2+99.15  
DUPAGE COUNTY  
S.N. 022-3028