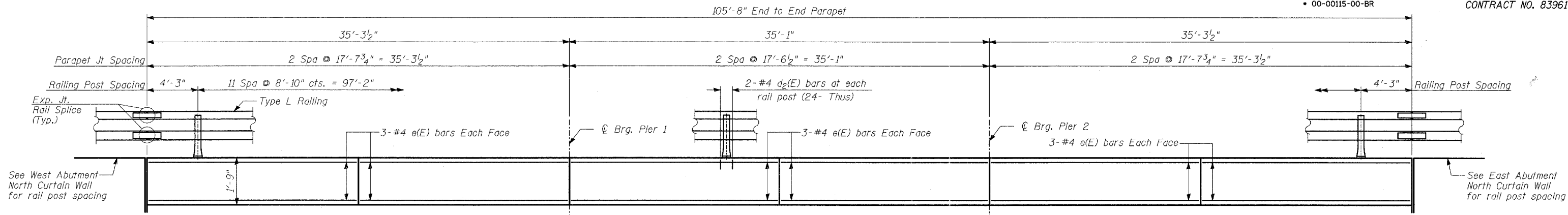
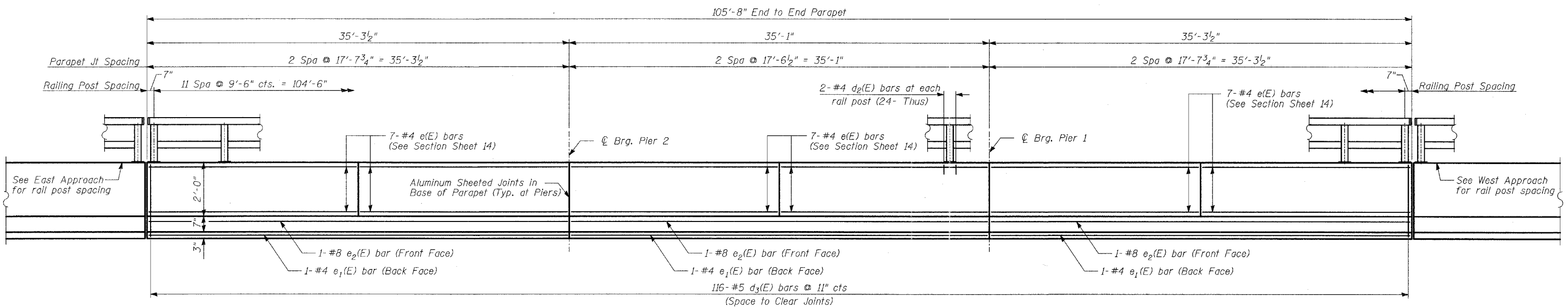


STATE OF ILLINOIS
DEPARTMENT OF TRANSPORTATION

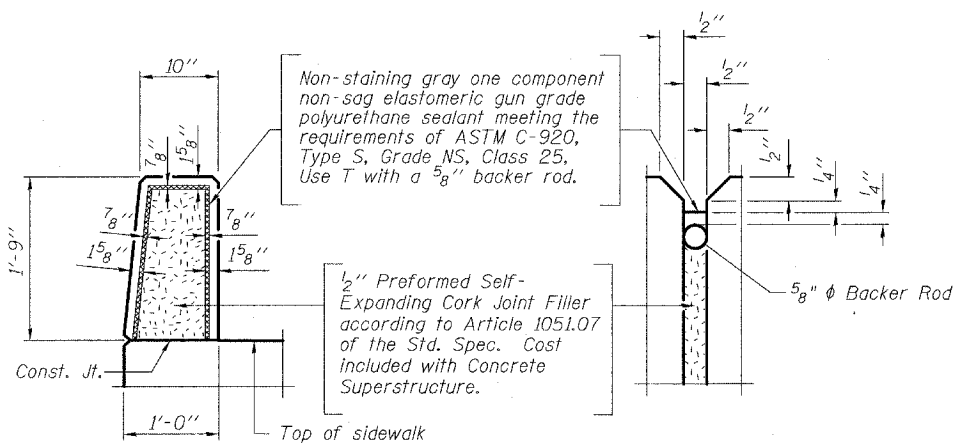
ROUTE NO.	SECTION	COUNTY	TEST SHEETS	SHEET NO.	SHEET NO. - 13
1545	*	DUPAGE	97	34	39 - SHEETS
FED. ROAD DIST. NO.	ILLINOIS	FED. AID PROJECT-	CONTRACT NO. 83961		
* 00-00115-00-BR					



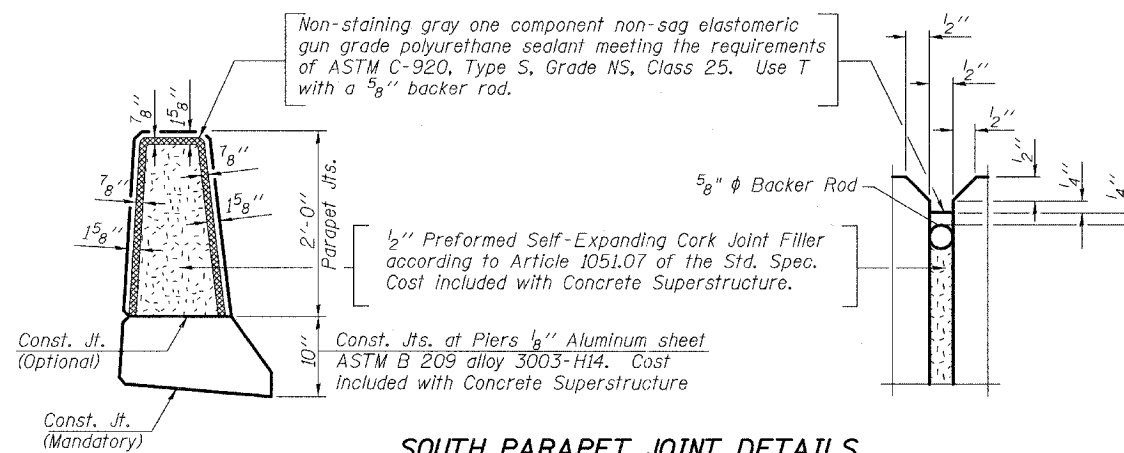
INSIDE ELEVATION OF NORTH PARAPET



INSIDE ELEVATION OF SOUTH PARAPET



NORTH PARAPET JOINT DETAILS



SOUTH PARAPET JOINT DETAILS

TYLIN INTERNATIONAL

DESIGNED	- DE
CHECKED	- SNB
DRAWN	- DE
CHECKED	- SNB

PARAPET ELEVATIONS

BAILEY ROAD OVER THE
WEST BRANCH OF THE DUPAGE RIVER
FAU 1545
SECTION 00-00115-00-BR STA. 2+99.15
DUPAGE COUNTY
S.N. 022-3028