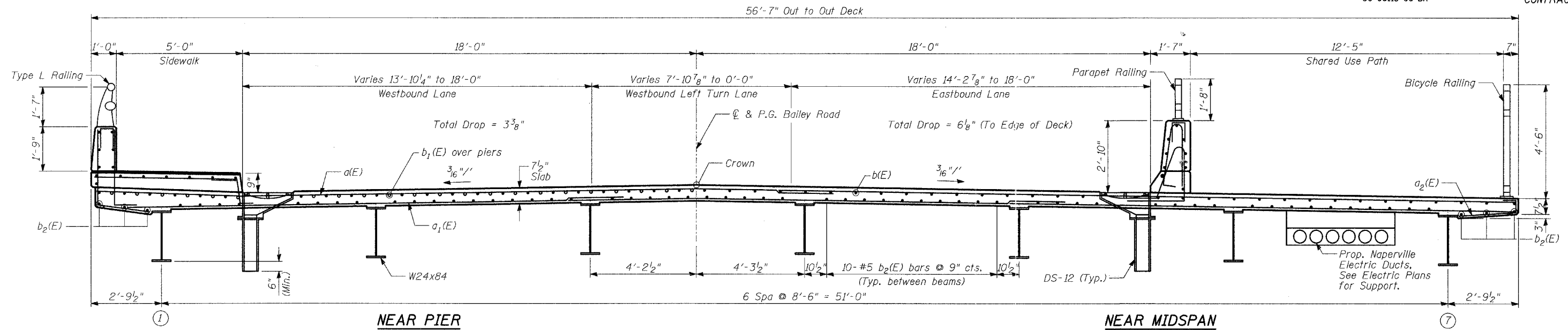


STATE OF ILLINOIS
DEPARTMENT OF TRANSPORTATION

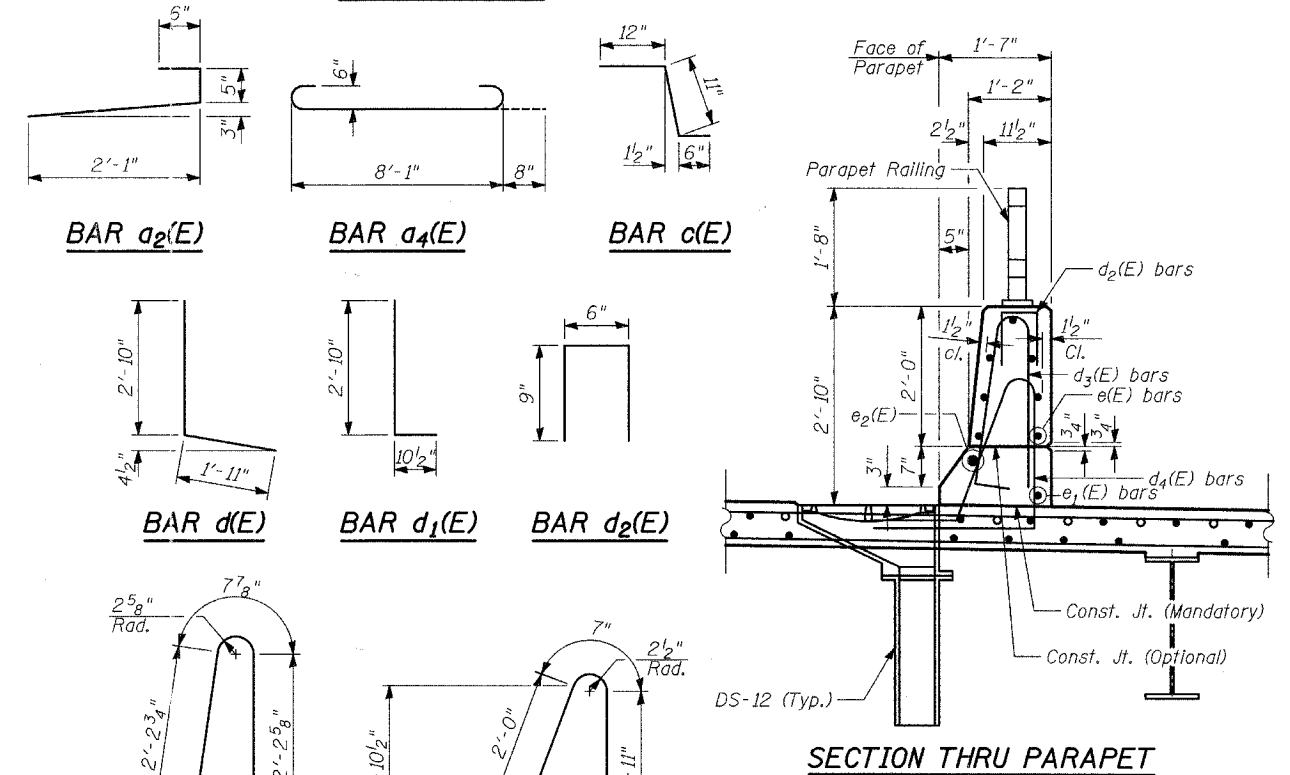
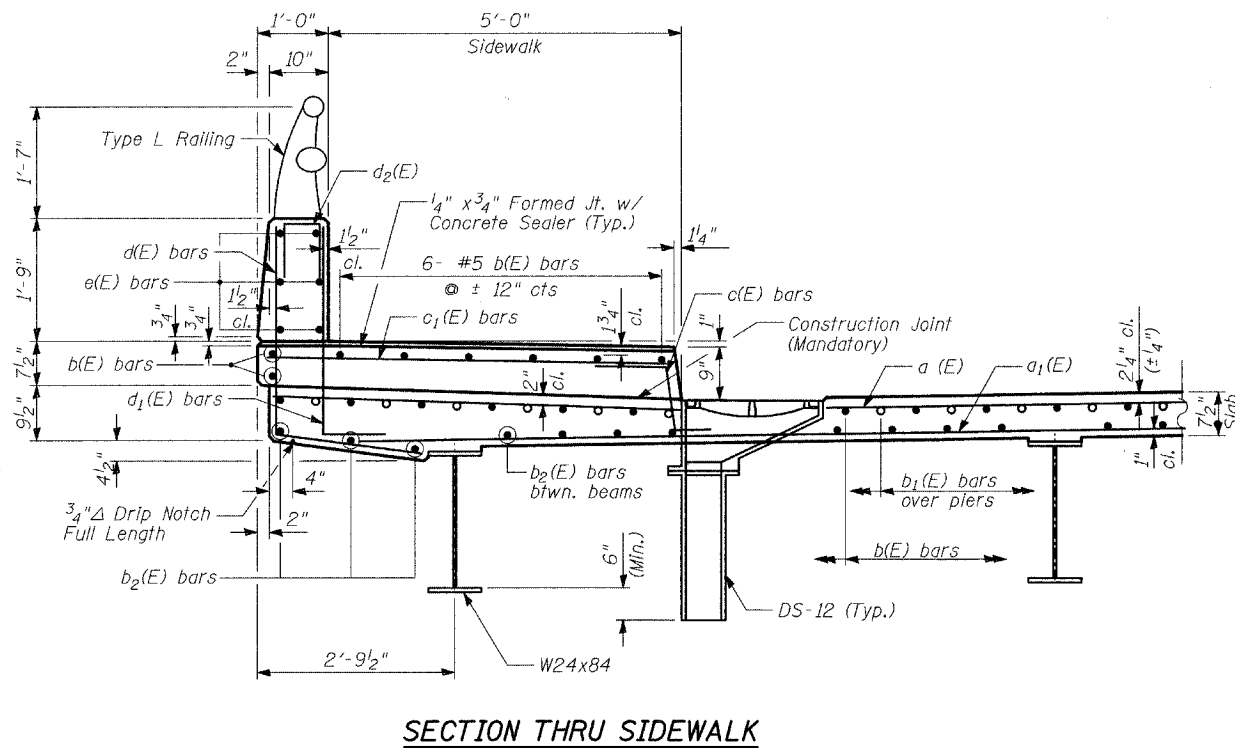
ROUTE NO.	SECTION	COUNTY	SHEET	SHEET NO. - 14
1545	•	DUPAGE	97	35
FED. ROAD DIST. NO.		ILLINOIS	FED. AID PROJECT	39 - SHEETS
		• 00-00115-00-BR		CONTRACT NO. 83961



SECTION THRU SUPERSTRUCTURE
(Looking East)

BILL OF MATERIAL

Bar	No.	Size	Length	Shape
a(E)	500	#5	29'-1"	
a ₁ (E)	546	#5	19'-8"	
a ₂ (E)	107	#5	3'-0"	
a ₃ (E)	96	#5	2'-0"	
a ₄ (E)	36	#6	9'-5"	
a ₅ (E)	4	#6	29'-4"	
a ₆ (E)	16	#7	29'-9"	
b(E)	195	#5	36'-7"	
b ₁ (E)	112	#6	25'-0"	
b ₂ (E)	264	#5	27'-11"	
c(E)	107	#5	2'-5"	
c ₁ (E)	107	#5	5'-8"	
d(E)	107	#4	4'-9"	
d ₁ (E)	107	#6	3'-9"	
d ₂ (E)	24	#4	2'-0"	
d ₃ (E)	116	#5	5'-7"	
d ₄ (E)	116	#5	7'-11"	
e(E)	78	#4	17'-3"	
e ₁ (E)	3	#4	34'-11"	
e ₂ (E)	3	#8	34'-11"	
x(E)	114	#5	5'-11"	
Concrete Superstructure	CU YD		190.9	
Reinforcement Bars, Epoxy Coated	POUND		53,340	
Bridge Deck Grooving	SQ YD		400	
Protective Coat	SQ YD		767	



BAR a₂(E)

BAR a₄(E)

BAR c(E)

BAR d(E)

BAR d₁(E)

BAR d₂(E)

BAR d₃(E)

BAR d₄(E)

BAR x(E)

DECK CROSS SECTION, BAR LIST AND BILL OF MATERIAL

BAILEY ROAD OVER THE
WEST BRANCH OF THE DUPAGE RIVER
FAU 1545
SECTION 00-00115-00-BR STA. 2+99.15
DUPAGE COUNTY
S.N. 022-3028

TYLIN INTERNATIONAL

DESIGNED	- DE
CHECKED	- SNB
DRAWN	- DE
CHECKED	- SNB